

Sliding Door Series Product Selection Guide

<http://www.peerlessproducts.com/>

Model Number	Description	Frame Depth	Typical Wall Thickness	AAMA Rating	Structural (PSF)	AIR (CFM /SF)	Water (PSF)	U-value	SHGC	STC	Blast	Impact	Dual Glazed w/ Blinds	Grid Options	Sash Weight	Test Size
GSD2	Horizontal Sliding Door	4.25	0.07	AW 50	80	<0.3	12	0.331	0.321	35-40	Avl	Yes 80x96	Yes	A-I-T	300	123"x95"

* All thermal tests performed with 1" insulated glass consisting of 1/4" Solarban 60 (Low-E #2) annealed/ Argon with TGI Spacer/ 1/4" Clear annealed

A=Applied I=Internal T=True

Features

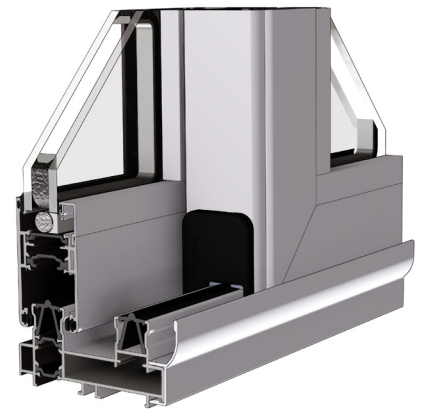
- AAMA standard Tested and Certified
- 4 1/4" Frame Depth- Polyamide strip thermal break
- Santoprene weather stripping
- Euro-groove locking hardware
- 1" sealed insulating glass per ASTM E 2190-02
- Interlocking two piece adjustable corner key design.
- Equal length master frame legs
- Aluminum glazing beads with dual durometer bulb
- Manufactured on 1/8" increments
- Screens in charcoal fiberglass mesh
- Kynar 2605 finish in 10 standard colors
- Kynar 2605 anodized painted finish colors available
- XO, OX, OXO, XOX, and OXXO Configurations



GSD2

Options

- All commercially available glazing material
- 1 3/8" glass pocket for glazing exterior applied grids
- Between-the-glass muntins in 2 different widths
- Exterior-applied and tape applied muntins in various widths
- Various structural mullions for joining side-lite windows in an opening
- Receptor systems
- Standard and custom panning systems
- Interior trim systems
- Sub-sills
- Project specific custom extrusions
- Custom, colors, 2605 painted finish, and anodized finish
- Two different color combinations for interior and exterior finish
- Multiple Cylinder Options Available-keyed exterior/keyed interior, keyed exterior/thumb turn interior, keyed interior only, and thumb turn interior only

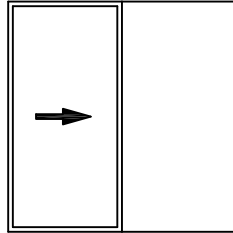


Hardware

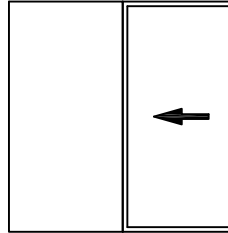
Locking Hardware	GSL2
Interior Thumb/Exterior Key	Standard
Interior Key Only	Optional
Interior Thumb Turn Only	Optional
Giesse MPL	Optional
Operating Hardware	
Lift and Slide Rollers	Standard
Slide Only Rollers	Optional

Glazing

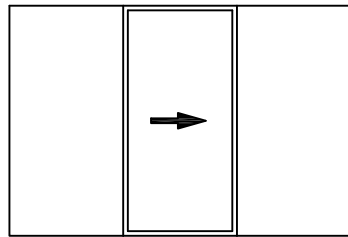
Glazing Options	GSL2
1"	Standard
1" with Ext Grid	Optional
1 3/8"	Optional



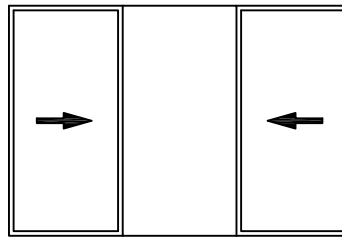
XO



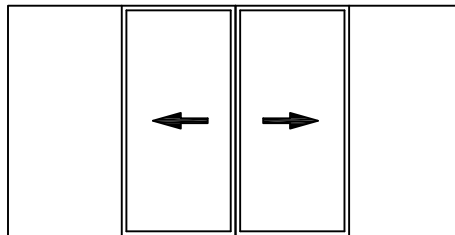
OX



OXO



XOX



OXXO

△ = 1/8" DIA EQUAL PRESSURE HOLE
 (CENTER LINE OF TOP HORIZONTAL)

○ = 1/4" DIA WEEP HOLE
 (APPROX 3" FROM EDGE)

□ = FACE MOUNTED WEEP
 (APPROX 3" FROM EDGE)

⊖ = WEEP OPTIONS; HOLE TO
 WEEP INTO SUBSILL, OR FACE
 MOUNTED WEEP IF NO SUBSILL
 (APPROX 3" FROM EDGE)

DRY GLAZED VENTS WEEP
 INTO STANDARD WEEPING
 SYSTEM OF OUTSIDE FRAME

