



# Peerless

## ARCHITECTURAL WINDOWS & DOORS

08 51 00/PEE  
BuyLine 3208



### High Performance Aluminum Window and Door Systems

- Single Hung
- Double Hung
- Horizontal Slider
- Commercial Fixed
- Projected In & Out
- Casement
- Projected Fixed
- Sliding Glass Door
- Terrace Door

- 
- Architectural
  - Acoustical
  - Blast / ATFP
  - Hurricane / Impact / Coastal
  - Historical

- 
- Airports / Sound Abatement
  - Military
  - Government / Municipal
  - Commercial
  - Universities / Dormitories
  - Schools
  - Hospitals
  - High-Rise Complexes
  - Condominiums / Apartments
  - Hotels / Motels / Casinos
  - Window Wall

**Peerless**  
PRODUCTS · INC

### Specify the Windows that Reflect Quality.

Since 1952, Peerless Products, Inc. has manufactured custom architectural and commercial windows and doors. Visit our website for complete product lines and details.

[www.PeerlessProducts.com](http://www.PeerlessProducts.com) • 1-800-279-9999

# High Performance Architectural Window Solutions

## Single Hung



909 Walnut - Kansas City, MO



Model	Frame Depth
9150	4
4150	4
4140	4
9130	3-1/4
4130	3-1/4
4120	3-1/4



Model 4120

## Double Hung



Bradhurst Parc - New York, NY



Model	Frame Depth
9350	4
4340	4
4360	3-1/4
4320	3-1/4
6000	4-1/2
6000-6	6
3000	2



Model 9350

## Commercial Fixed



Sheraton Four Points - Savannah, GA



Model	Frame Depth
9170	4
4170	4
9160	3-1/4
4160	3-1/4
3002	2
6002-6	6
6002	4-1/2

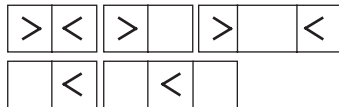


Model 6002

## Horizontal Slider



Holiday Inn - Tallahassee, FL



Model	Frame Depth
9530	3-1/4
9540	4
6001	4-1/2
6001-6	6
3001	2



Model 9540

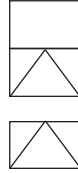
## Finishes and Color Chart



Peerless Products has 24 standard paint colors in 30% Kynar to meet AAMA 2603 requirements, 50% Kynar 2604, 70% Kynar 2605. We also can match custom colors and have broad acrodize paint selections.

Peerless also offers both Class 1 and Class 2 anodize finishes in clear, light, medium, dark bronze, black, champagne, and copper. Class 1 anodize has a mil thickness of 0.7 or greater. Class 2 has a minimum thickness of 0.4.

## Project Out



Platinum Condominium - Chicago, IL

Model	Frame Depth
1905	4-1/2
1901	4-1/2
1805	2
1801	2
1205	3-3/4
Series	Design
1800	Overlap
1900	Overlap
1200	Flush



Model 1801

## Project In



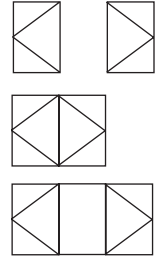
Church Street Plaza - Evanston, IL

Model	Frame Depth
1921	4-1/2
1911	4-1/2
1821	2
1811	2
1221	3-3/4
1211	3-3/4
Series	Design
1800	Overlap
1900	Overlap
1200	Flush



Model 1911

## Casement



Florida State University  
Tallahassee, FL

Model	Frame Depth
1961	4-1/2
1951	4-1/2
1861	2
1851	2
1261	3-3/4
1251	3-3/4
Series	Design
1800	Overlap
1900	Overlap
1200	Flush



Model 1951

## Projected Fixed



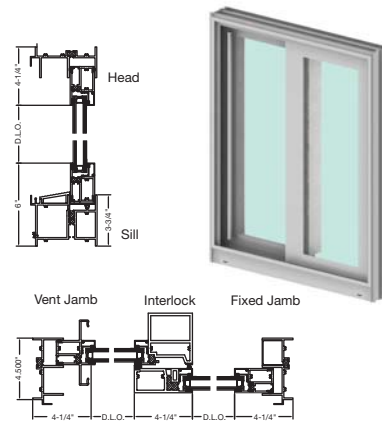
Optima Horizons Condominiums  
Evanston, IL

Model	Frame Depth
1941	4-1/2
1241	3-3/4
1841	2



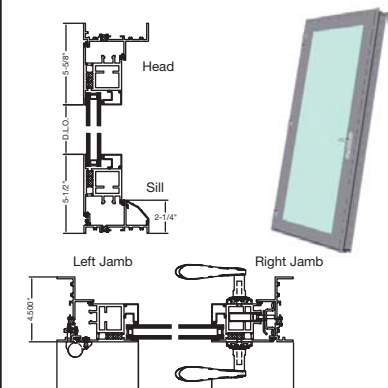
Model 1841

## 4500 Sliding Glass Door



4 1/2" Frame Depth - Sliding Door - Configurations XO, OX, & Bi-Parting-OXXO Only  
 Non-Impact Rating: AW 55/80  
 Impact Rating: DP = +100/ -100  
 Hardware: Thumb-turn & Extruded Pull Rail  
 Options: Additional Side lights & Transom use 1900 Series Only  
 Installation Accessories: Use 1900 Series Accessories - Receptors, Sub sills, Mullions, Vinyl Caulk Stop, Trim etc.  
 Where used: Condominiums & High/Low Rise Apartments;  
 Locations: Coastal States & Large Cities

## 5000 Outswing Terrace Door



4 1/2" Frame Depth - Sliding Door - Configurations XO & OX  
 Acoustic Rating: Sound Transmission Class up to 42  
 Hardware: Std. Multi Point Locking Handle & Butt Hinges  
 Options: Additional Side lights & Transom use 1900 Series Only  
 Installation Accessories: Use 1900 Series Accessories - Receptors, Sub sills, Mullions, Vinyl Caulk Stop, Trim etc.  
 Where used: Condominiums & High/Low Rise Apartments  
 Locations: Coastal States & Large Cities

# Blast Mitigation \*



Before Blast

Window glazed with 1" IG 1/4" clear annl'd x 1/2" air space x 1/4" laminate with 0.030: PVB interlayer

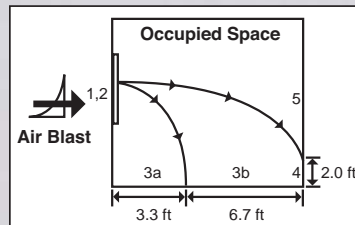


After Blast

Glazing cracks but remains within window frame

Specimen successfully passes air blast test, achieving Level 2 No Hazard Rating

Meets current UFC requirements



All blast products are shock tube tested. Reference the diagram and chart for hazard level rating system classifications.

Performance Condition	Protection Level Level	Hazard	Description of Window Glazing Response
1	Safe	None	Glazing does not break. No visible damage to glazing or frame.
2	Very High	None	Glazing cracks but is retained by the frame. Dusting or very small fragments near sill or on floor acceptable.
3a	High	Very Low	Glazing cracks. Fragments enter space and land on floor no further than 3.3 ft. from the window.
3b	High	Low	Glazing cracks. Fragments enter space and land on floor no further than 10 ft. from the window.
4	Medium	Medium	Glazing cracks. Fragments enter space and land on floor and impact a vertical witness panel at a distance of no more than 10 ft. from the window at a height no greater than 2 ft. above the floor.
5	Low	High	Glazing cracks and window system fails catastrophically. Fragments enter space impacting a vertical witness panel at a distance of no more than 10 ft. from the window at a height greater than 2 ft. above the floor.

# Blast Mitigation ✨

## Blast Product Selection Guide

Frame Depth	Window Type	Model Number	Test Size (W x H)	Lami PVB Thickness	Hazard Level	Maximum Size (W x H)	Req'd Lami PVB Thickness	Hazard Level
2"	Fixed	1841	47 1/2" x 35 1/2"	0.030"	Level 2 No Hazard	71" x 53"	0.090"	Level 3a Minimal Hazard
2"	Fixed / Fixed	1842	48" x 68"	0.030"	Level 2 No Hazard	60" x 85"	0.030"	Level 3b Low Hazard
2"	Project Out	1801	48" x 36"	0.030"	Level 2 No Hazard	72" x 54"	0.090"	Level 2 No Hazard
2"	Fixed / Project Out	1805	47 3/4" x 68"	0.030"	Level 2 No Hazard	72" x 102"	0.090"	Level 3a Minimal Hazard
2"	Casement	1851	36" x 48"	0.030"	Level 2 No Hazard	54" x 72"	0.090"	Level 2 No Hazard
3-1/4"	Single Hung	4120	48 1/2" x 69"	0.030"	Level 2 No Hazard	48 1/2" x 69"	0.030"	Level 2 No Hazard
3-1/4"	Single Hung	4130	48 1/2" x 69"	0.030"	Level 2 No Hazard	48 1/2" x 69"	0.030"	Level 2 No Hazard
3-1/4"	Single Hung	9130	48" x 68"	0.030"	Level 2 No Hazard	60" x 85"	0.030"	Level 3b Low Hazard
3-1/4"	Fixed	4160	35 1/2" x 59 1/2"	0.030"	Level 2 No Hazard	54" x 90"	0.090"	Level 3b Low Hazard
3-1/4"	Fixed / Fixed	4160H1	35 1/2" x 59 1/2"	0.030"	Level 2 No Hazard	54" x 90"	0.090"	Level 3b Low Hazard
3-1/4"	Fixed	9160	48" x 68"	0.030"	Level 2 No Hazard	72" x 102"	0.030"	Level 3b Low Hazard
3-1/4"	Horizontal Slider	9530	68" x 48"	0.030"	Level 3a Low Hazard	68" x 48"	0.030"	Level 3a Minimal Hazard
3-3/4"	Fixed	1241	48 1/2" x 68 1/2"	0.090"	Level 2 No Hazard	48 1/2" x 68 1/2"	0.090"	Level 2 No Hazard
3-3/4"	Fixed / Fixed	1242	48 1/2" x 68 3/4"	0.030"	Level 2 No Hazard	48 1/2" x 68 3/4"	0.030"	Level 2 No Hazard
3-3/4"	Fixed / Project Out	1205	48 1/2" x 68 1/2"	0.030"	Level 2 No Hazard	48 1/2" x 68 1/2"	0.030"	Level 2 No Hazard
3-3/4"	Casement	1251	48 1/2" x 68 3/4"	0.030"	Level 2 No Hazard	48 1/2" x 68 3/4"	0.030"	Level 2 No Hazard
4"	Fixed	4170	35 1/2" x 59 1/2"	0.030"	Level 2 No Hazard	54" x 90"	0.090"	Level 3b Low Hazard
4"	Fixed / Fixed	4170H1	35 1/2" x 59 1/2"	0.030"	Level 2 No Hazard	54" x 90"	0.090"	Level 3b Low Hazard
4"	Fixed	9170	48" x 68"	0.030"	Level 2 No Hazard	72" x 102"	0.030"	Level 3b Low Hazard
4"	Single Hung	4140	48 1/2" x 69"	0.030"	Level 2 No Hazard	48 1/2" x 69"	0.030"	Level 2 No Hazard
4"	Single Hung	4150	48 1/2" x 69"	0.030"	Level 2 No Hazard	48 1/2" x 69"	0.030"	Level 2 No Hazard
4"	Single Hung	9150	48" x 68"	0.030"	Level 3a Low Hazard	48" x 68"	0.090"	Level 2 No Hazard
4"	Double Hung	9350	48 1/2" x 68 1/2"	0.030"	Level 2 No Hazard	48 1/2" x 68 1/2"	0.030"	Level 2 No Hazard
4"	Horizontal Slider	9540	56" x 40"	0.030"	Level 1 No Break	84" x 60"	0.090"	Level 2 No Hazard
4-1/2"	Fixed	1941	47 1/2" x 35 1/2"	0.030"	Level 2 No Hazard	71" x 53"	0.090"	Level 3a Minimal Hazard
4-1/2"	Fixed / Fixed	1942	48" x 68"	0.030"	Level 2 No Hazard	60" x 85"	0.030"	Level 3b Low Hazard
4-1/2"	Project Out	1901	48" x 36"	0.030"	Level 2 No Hazard	72" x 54"	0.090"	Level 2 No Hazard
4-1/2"	Fixed / Project Out	1905	47 3/4" x 68"	0.030"	Level 2 No Hazard	72" x 102"	0.090"	Level 3a Minimal Hazard
4-1/2"	Casement	1951	36" x 48"	0.030"	Level 2 No Hazard	54" x 72"	0.090"	Level 2 No Hazard

Peerless Products blast protection jobs include:

- Fort Bragg
- Fort Bliss
- Fort Carson
- Fort Dix
- Camp Pendleton
- Fort Campbell
- Twenty Nine Palms
- Andrews AFB
- McGuire AFB
- Aberdeen
- Guam
- Eglin AFB
- Pensacola NAS
- Shaw AFB
- Boca Chica NAS
- Camp Lejeune



Camp Pendleton  
P-093 Barracks,  
Camp Pendleton, CA

Peerless Products  
Model 9540  
Horizontal Slider  
Window

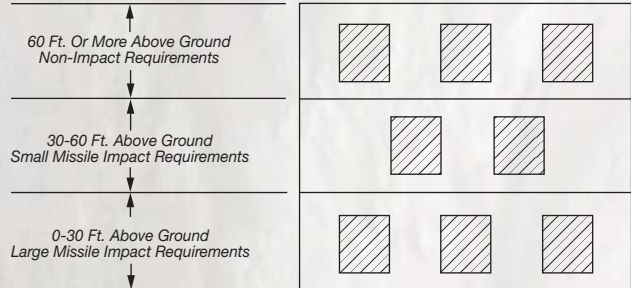


Tests were performed in accordance with ASTM E 1996-99 with a Type C missile and ASTM E 1996-03 with a Type D missile. "Standard Specification for performance of windows impacted by windborne debris in hurricanes." They were cycled at design pressures both positive and negative in accordance with ASTM E 2886-97 "Standard test method of exterior windows exposed to cyclic pressure differentials." Peerless State Wide Approval for Florida can be viewed at [www.floridabuilding.org](http://www.floridabuilding.org).

2670.2 - 1841	2670.6 - 4160	2717.4 - 9130	2725.2 - 1805
2670.3 - 1842	2717.2 - 4130	2722.2 - 1851	5874.2 - 9530

- All Hurricane/Impact Resistant Products were impact tested with a 9 lb. 2" x 4" board (ASTM 1996-05 Windborne Debris Requirements) and then cycled 4500 times at various pressures to mimic storm activity (ASTM 1886-05 Cyclic Pressure Differential Requirements).
- Hurricane/Impact products are structurally glazed and utilize 0.090" PVB interlayer within the insulated glass unit.
- All Hurricane/Impact Resistant Products meet large missile impact requirements (Type C & D Missiles)
- Large missile compliance supersedes small missile compliance.

Missile Level	Missile	Impact Speed
A	Ten 2-gram Steel balls	130ft/s
B	2.0 lb 2x4 Missile	50 ft/s
C	4.5 lb 2x4 Missile	40 ft/s
D	9.0 lb 2x4 Missile	50 ft/s



**Before Impact & Cyclic Pressure Test**  
Specimen glazed with 1" IG (1/4" clear ann'd x 1/2" Air Space x 3/8" Laminate with 0.090" PVB interlayer



**During Impact Test**  
Specimen Impacted With Missile



**After Impact & Cyclic Pressure Test**  
Specimen Successfully Passes Impact & Cycling Testing

## Hurricane / Impact Products

### Hurricane/Impact Resistant Product Selection Guide

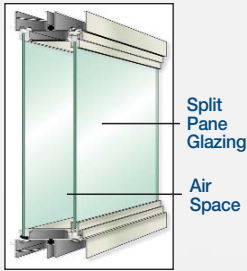
Hurricane/Impact Resistant Products & Associated Florida Approval Numbers					
Frame Depth	Window Type	Model Number	Test Size	Specimen Design Pressure	Florida Approval Number
2"	Fixed	1841	48" x 72"	+73 psf / -73 psf	2670.2
2"	Fixed / Fixed	1842	48" x 72"	+73 psf / -90 psf	2670.3
2"	Fixed / Project Out	1805	48" x 72"	+90 psf / -90 psf	2725.3
2"	Casement	1851	40" x 66"	+90 psf / -90 psf	2722.2
2-1/2"	Fixed	2541	48" x 72"	+73 psf / -73 psf	2670.2
2-1/2"	Fixed / Fixed	2542	48" x 72"	+73 psf / -90 psf	2670.3
2-1/2"	Fixed / Project Out	2506	48" x 72"	+90 psf / -90 psf	2725.3
2-1/2"	Casement	2551	40" x 66"	+90 psf / -90 psf	2722.2
3-1/4"	Single Hung	4130	48" x 72"	+73 psf / -73 psf	2717.2
3-1/4"	Fixed	4160	48" x 72"	+50 psf / -50 psf	2670.6
3-1/4"	Fixed / Fixed	4160H1	48" x 72"	+73 psf / -73 psf	2670.8
3-1/4"	Fixed w/ Integral Nail Fin	4165	60" x 60"	+50 psf / -50 psf	Pending Approvals
3-1/4"	Fixed True Divided w/ Integral Nail Fin	4165	66" x 84"	+50 psf / -50 psf	Pending Approvals
3-1/4"	Single Hung	9130	48" x 72"	+90 psf / -90 psf	2717.4
3-1/4"	Fixed	9160	48" x 72"	+50 psf / -50 psf	Pending Approvals
3-1/4"	Horizontal Slider	9530	72" x 48"	+73 psf / -73 psf	5874.2
3-1/4"	Horizontal Slider	9530	72" x 72"	+60 psf / -60 psf	9915.2
3-3/4"	Fixed	1241	60" x 60"	+90 psf / -90 psf	Pending Approvals
3-3/4"	Casement	1252	72" x 64"	+70 psf / -70 psf	10129.2
4"	Single Hung	4150	48" x 72"	+73 psf / -73 psf	2717.2
4"	Fixed / Fixed	4170H1	48" x 72"	+73 psf / -73 psf	2670.8
4-1/2"	Fixed	1941	48" x 72"	+73 psf / -73 psf	2670.2
4-1/2"	Fixed / Fixed	1942	48" x 72"	+73 psf / -90 psf	2670.3
4-1/2"	Fixed / Project Out	1905	48" x 72"	+90 psf / -90 psf	2725.3
4-1/2"	Casement	1951	40" x 66"	+90 psf / -90 psf	2722.2
4-1/2"	Horizontal Slider	6001	72" x 48"	+90 psf / -90 psf	Pending Approvals
4-1/2"	Sliding Glass Door	4500	96" x 108"	+100 psf / -100 psf	Pending Approvals
4-1/2"	Sliding Glass Door	4500	123" x 108"	+60 psf / -60 psf	Pending Approvals

Peerless Products' Hurricane/Impact Resistant Products have been approved for statewide use in the state of Florida except for Miami/Dade & Broward Counties. Visit [www.floridabuilding.org](http://www.floridabuilding.org) for current application approval numbers.



Holiday Inn & Suites  
Suites - Successful  
Hurricane/Impact  
Project - Model 4160,  
Fixed Windows

# Acoustical Abatement



Outdoor-Indoor Transmission Class (OITC) is a rating system used for indicating the rate of transmission of sound between outdoor and indoor spaces in a structure. An alternative similar standard Sound Transmission Class (STC) is a rating system that helps predict how quiet an interior space will be. While STC is based on a noise spectrum targeting speech sounds, OITC utilizes a source noise spectrum that considers frequencies down to 80 Hz (Aircraft/Rail/Truck traffic) and is weighted more to lower frequencies. Peerless has successfully supplied sound reduction solutions to both the residential and commercial applications around airports, train railways, and high traffic areas. Common commercial uses are hotels, downtown condominiums, hospitals, and office buildings.



Frame Depth	Configuration	Model	Glass Make-up	STC	OITC
2"	Fixed	1841	1" IG: 1/4" Clear Ann/ 1/2" Air/ 1/4" Clear Ann	35	29
2"	Fixed	1841	1-3/8" IG: 1/4" Lami Ann/ 7/8" Air/ 1/4" Lami Ann	41	31
2"	Casement Out Left	1851	1-3/8" IG: 1/4" Lami Ann/ 7/8" Air/ 1/4" Clear Ann	38	29
2"	Casement Out Left	1851	1-3/8" IG: 1/4" Lami Ann/ 7/8" Air/ 1/4" Lami Ann	41	30
2"	Casement Out Left	1851	Exterior Applied Grids 1-3/8" IG: 1/4" Lami Ann/ 7/8" Air/ 1/4" Lami Ann	40	33
3-1/4"	Fixed	4160	1" IG: 1/4" Lami Ann/ 9/16" Air/ 3/16" Clear Ann	38	30
3-1/4"	Fixed	9160	1" IG: 1/4" Clear Ann/ 1/2" Air/ 1/4" Clear Ann	31	25
3-1/4"	Fixed	9160	1" IG: 1/4" Lami Ann/ 1/2" Air/ 1/4" Lami Ann	32	26
3-1/4"	Single Hung	9130	1" IG: 1/4" Clear Ann/ 1/2" Air/ 1/4" Clear Ann	31	26
3-1/4"	Single Hung	9130	1" IG: 1/4" Lami Ann/ 1/2" Air/ 1/4" Lami Ann	35	30
3-1/4"	Horizontal Slider	9530	1" IG: 1/4" Clear Ann/ 9/16" Air/ 3/16" Clear Ann	35	29
3-3/4"	Fixed/Fixed	1242	1-3/8" IG: 1/4" Lami Ann/ 15/16" Air/ 3/16" Clear Ann	38	30
3-3/4"	Fixed/Fixed	1242	3/8" PuttyFrame/1" IG: 1/4" Clear Ann/ 1/2" Air/ 1/4" Clear Ann/ 1-5/16" Blind Cavity/ 1/4" Clear Int. Pnl	45	35
3-3/4"	Fixed/Fixed	1242	DG: 1/4" Clear Ann Ext./ 2-1/2" Air/ 3/16" Clear Ann Int.	45	33
3-3/4"	Fixed/Fixed	1242	DG: 1/4" Lami Ann Ext./ 2-1/2" Air/ 1/4" Clear Ann Int.	48	36
3-3/4"	Fixed/Project-Out	1205	1-3/8" IG: 1/4" Lami Ann/ 15/16" Air/ 3/16" Clear Ann	38	30
3-3/4"	Fixed/Project-Out	1205	3/8" PuttyFrame/1" IG: 1/4" Clear Ann/ 1/2" Air/ 1/4" Clear Ann/ 1-5/16" Blind Cavity/ 1/4" Clear Int. Pnl	45	35
3-3/4"	Fixed/Project-Out	1205	DG: 1/4" Clear Ann Ext./ 2-1/2" Air/ 3/16" Clear Ann Int.	46	33
3-3/4"	Fixed/Project-Out	1205	DG: 1/4" Lami Ann Ext./ 2-1/2" Air/ 1/4" Lami Ann Int.	47	34
3-3/4"	Casement Out Left	1251	DG: 1/4" Clear Ann Ext./ 2-1/2" Air/ 3/16" Clear Ann Int.	40	32
3-3/4"	Casement Out Left	1251	3/8" PuttyFrame/1" IG: 1/4" Clear Ann/ 1/2" Air/ 1/4" Clear Ann/ 1-5/16" Blind Cavity/ 1/4" Clear Int. Pnl	44	33
3-3/4"	Casement Out Left	1251	1" IG: 1/4" Clear Ann/ 1/2" Air/ 1/4" Clear Ann/ 1-11/16" Blind Cavity/ 1/4" Clear Int. Pnl	46	35
3-3/4"	Fixed-Casement Inswing	1264	DG: 1/4" Lami Ann Ext./ 2-1/2" Air/ 1/4" Clear Ann Int.	45	36
4"	Fixed	9170	1" IG: 1/4" Clear Ann/ 1/2" Air/ 1/4" Clear Ann	33	26
4"	Fixed	9170	1" IG: 1/4" Lami Ann/ 1/2" Air/ 1/4" Lami Ann	35	28
4"	Fixed	9170	1" IG: 1/4" Lami Ann/ 9/16" Air/ 3/16" Clear Ann"	37	29
4"	Single Hung	9150	1" IG: 1/4" Clear Ann/ 1/2" Air/ 1/4" Clear Ann	34	29
4"	Single Hung	9150	1" IG: 3/16" Clear Ann/ 11/16" Air/ 1/8" Clear Ann	35	28
4"	Single Hung	9150	1" IG: 1/4" Lami Ann/ 1/2" Air/ 1/4" Lami Ann	36	30
4"	Single Hung	9150	1-3/8" IG: 3/8" Lami Ann/ 060 Ann/ 1/2" Air/ 1/4" Lami Ann	40	32
4"	Double Hung	9350	1" IG: 1/4" Clear Ann/ 1/2" Air/ 1/4" Clear Ann	33	29
4"	Double Hung	9350	1" IG: 3/16" Clear Ann/ 11/16" Air/ 1/8" Clear Ann	34	28
4-1/2"	Fixed/Fixed	1942	1-3/8" IG: 1/4" Clear Ann/ 15/16" Air/ 3/16" Clear Ann	35	27
4-1/2"	Fixed/Fixed	1942	1-3/8" IG: 1/4" Lami Ann/ 7/8" Air/ 1/4" Clear Ann	39	31
4-1/2"	Casement Out Left	1951	1-3/8" IG: 1/4" Clear Ann/ 15/16" Air/ 3/16" Clear Ann	37	28
4-1/2"	Sliding Glass Door	4500	1" IG: 1/4" Clear Ann/ 1/2" Air/ 1/4" Clear Ann	34	30
4-1/2"	Sliding Glass Door	4500	1-3/8" IG: 1/4" Clear Temp/ 7/8" Air/ 1/4" Lami Ann	37	31
4-1/2"	Terrace Door	5000	1" IG: 1/4" Clear Ann/ 1/2" Air/ 1/4" Clear Ann	36	29
4-1/2"	Terrace Door	5000	1-3/8" IG: 1/4" Lami Ann/ 7/8" Air/ 1/4" Clear Ann	41	32
4-1/2"	Terrace Door	5000	1-3/8" IG: 1/4" Lami Ann/ 7/8" Air/ 1/4" Lami Ann	42	31
4-1/2"	Fixed	6002	DG: 1/8" Clear Ann Ext./ 3" Air/ 1/8" Clear Ann Int.	39	23
4-1/2"	Fixed	6002	DG: 1/8" Clear Ann Ext./ 3" Air/ 3/16" Clear Ann Int.	44	27
4-1/2"	Fixed	6002	DG: 1/4" Lami Ann Ext./ 2.813" Air/ 1/4" Clear Ann Int.	49	30
4-1/2"	Horizontal Slider	6001	DG: 1/8" Clear Ann Ext./ 2-1/4" Air/ 1/8" Clear Ann Int.	39	26
4-1/2"	Horizontal Slider	6001	DG: 1/8" Clear Ann Ext./ 2-1/4" Air/ 3/16" Clear Ann Int.	42	28
4-1/2"	Horizontal Slider	6001	DG: 1/4" Clear Ann Ext./ 2-3/8" Air/ 3/16" Clear Ann Int.	45	31
4-1/2"	Double Hung	6000	DG: 1/8" Clear Ann Ext./ 2-5/16" Air/ 1/8" Clear Ann Int.	39	28
4-1/2"	Double Hung	6000	DG: 1/8" Clear Ann Ext./ 2-1/4" Air/ 3/16" Clear Ann Int.	42	29
4-1/2"	Double Hung	6000	DG: 3/16" Clear Ann Ext./ 2-9/32" Air/ 1/8" Clear Ann Int.	43	32
4-1/2"	Double Hung	6000	DG: 1/4" Clear Ann Ext./ 2-3/8" Air/ 3/16" Clear Ann Int.	45	30
6"	Fixed	6002-6	DG: 1/4" Lami Ann Ext./ 4-13/32" Air/ 1/4" Clear Ann Int.	51	39
6"	Fixed	6002-6	DG: 1/4" Lami Ann Ext./ 4-3/8" Air/ 1/4" Lami Ann Int.	52	40
6"	Horizontal Slider	6001-6	DG: 1/4" Lami Ann Ext./ 3-3/4" Air/ 3/16" Clear Ann Int.	48	NT
6"	Horizontal Slider	6001-6	DG: 1/4" Lami Ann Ext./ 3-11/16" Air/ 1/4" Lami Ann Int.	51	38
6"	Double Hung	6000-6	DG: 1/4" Lami Ann Ext./ 3-11/16" Air/ 1/4" Lami Ann Int.	51	38

Legend: 1/4" Lami Ann- Standard 0.030 Interlayer, Dual Glazed/ Split Sash



# Window Wall



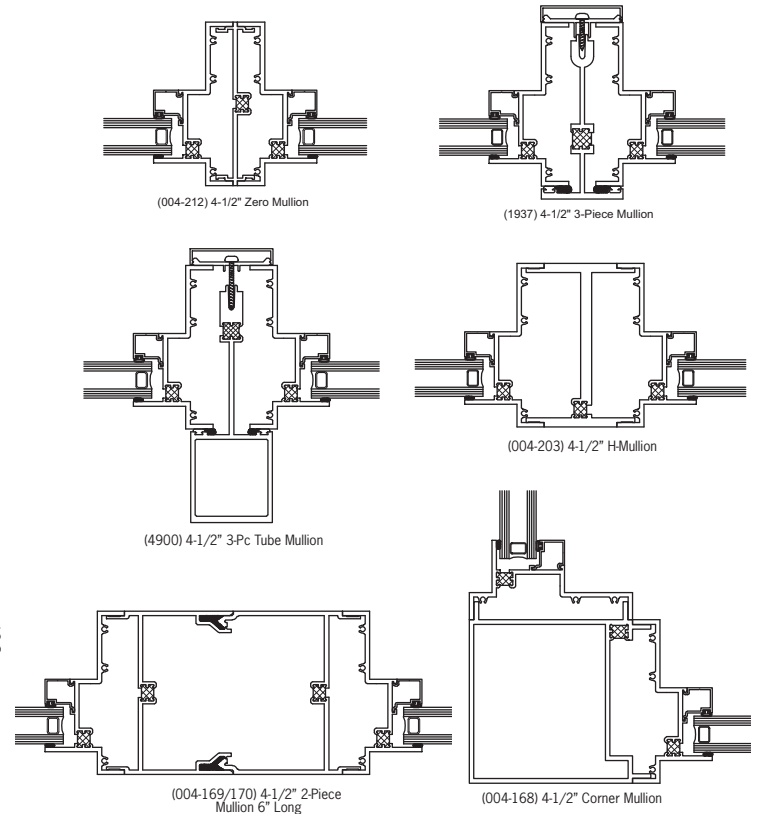
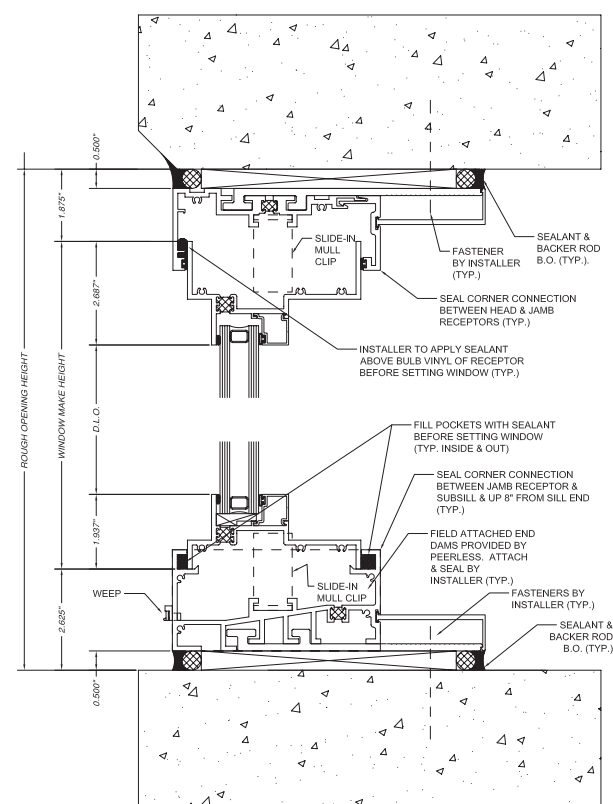
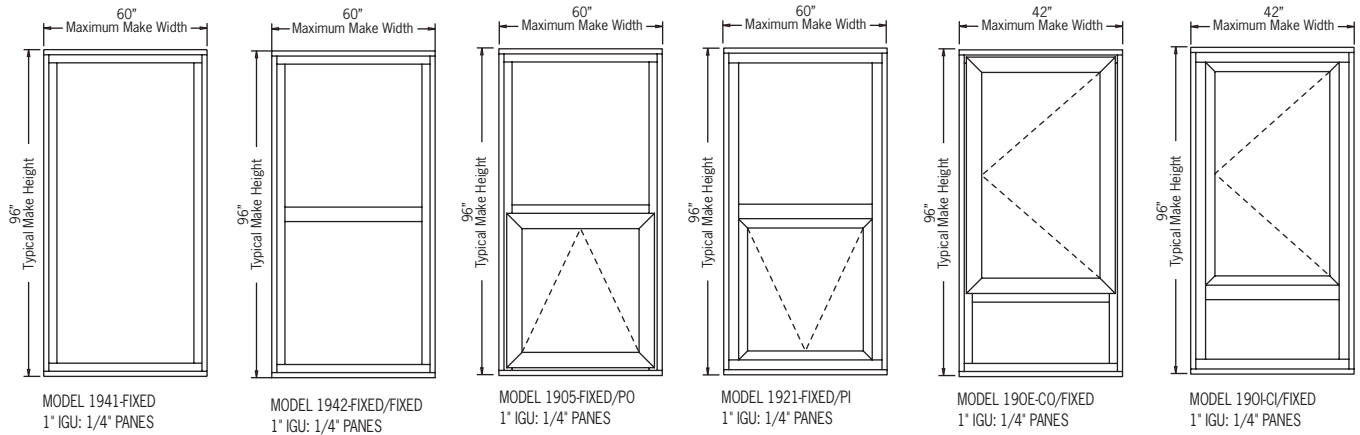
1900 Series Models – 1941,1942,1905,1921, 190E, & 190I :  
4 1/2" Frame Depth – Configurations Per Elevations Only;  
Rating: AW 65-100

How used in openings: Slab to Slab Construction with windows being installed in banks. Peerless can supply necessary accessories for projects including slab covers and various installation accessories to help suit conditions required.

Installation Accessories: Use 1900 Series Accessories - Receptors, Sub sills, Mullions, Vinyl Caulk Stop, Trim etc.

Where used: Condominiums & High/Low Rise Apartments;

Locations: Coastal States & Large Cities throughout U.S.A. & abroad



## Nail Fin

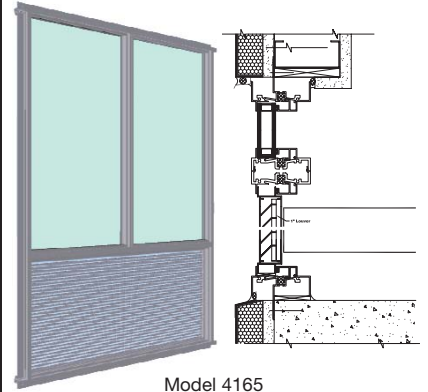


Sheraton Four Points,  
Savannah, GA



Holiday Inn Express,  
Savannah, GA

## 4165

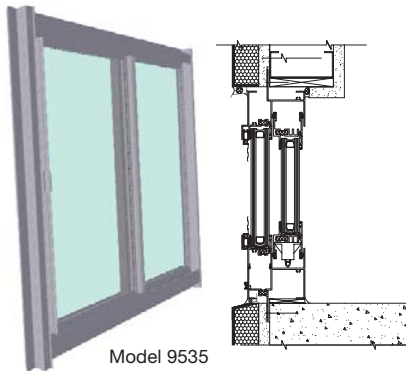


Model 4165

### Model 4165: Fixed

3-1/4" Frame Depth—with Integral Fin  
Master Frame  
Non-Impact Rating: AW 70  
Impact Rating: DP = +50/ -50  
Options: True Muntins & Standard 1"  
Reliable Louvers  
Installation Accessories: Use 4000 Series  
3-1/4" Accessories  
Sub sills, Mullions & Trim  
Where used: Hotels & Motels

## 9535

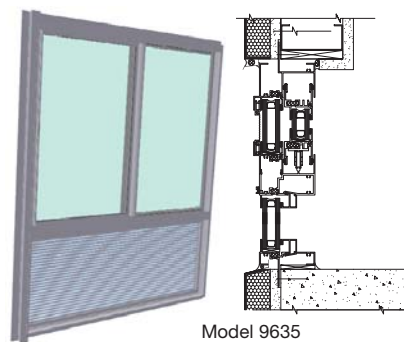


Model 9535

### Model 9535: Horizontal Slider

3-1/4" Frame Depth—with Integral Fin  
Master Frame  
Non-Impact Rating: HC 50/ AW 50  
Impact Rating: DP = +60/ -60  
Hardware: Extruded Auto Locks & Roller  
Assembly  
Options: Meeting Rail Lock  
Installation Accessories: Use 9000 Series  
3-1/4" Accessories  
Sub sills, Mullions & Trim  
Where used: Hotels/Motels,  
Condominiums, University Housing,  
Military & Modular Construction

## 9635

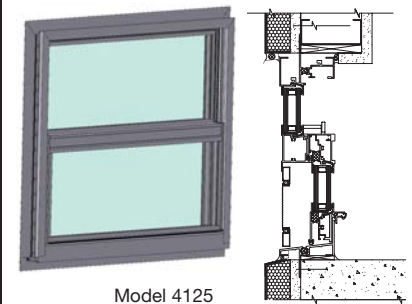


Model 9635

### Model 9635: Horizontal Slider/Fixed in one Master Frame

3-1/4" Frame Depth—with Integral Fin  
Master Frame  
Non-Impact Rating: HC 50/ AW 50  
Impact Rating: DP = +60/ -60  
Hardware: Extruded Auto Locks & Roller  
Assembly  
Options: Meeting Rail Lock  
Installation Accessories: Use 9000 Series  
3-1/4" Accessories  
Sub sills, Mullions & Trim  
Where used: Hotels & Motels

## 4125-3 1/4" -Single Hung



Model 4125

### Model 4125: Single Hung

3-1/4" Frame Depth—with Integral Fin  
Master Frame  
Non-Impact Rating: HC 40/55  
Blast Rating: Level 2, No Hazard  
Hardware: MR Sweep-lock & UL  
Balances  
Installation Accessories: Use 4000  
Series 3-1/4" Accessories  
Sub sills, Mullions & Trim  
Where used: Hotels/Motels,  
Condominiums, University Housing,  
Military & Modular Construction

# Historic Retrofit

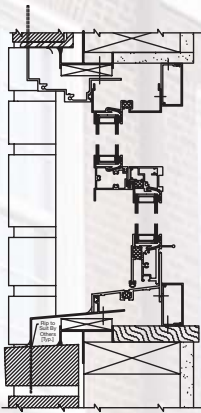
Peerless Products Models - 4120H, 4130H, 413T, 432H, 4160 Offset, and 1800 Series Products have been successfully installed in historical buildings across the world. These products tailor sightlines that match both wood and steel replacement applications. We offer a full line of scrolled panning and trims to closely match exterior profiles along with a diverse selection of exterior, between the glass, and interior applied grids. We also offer a diverse selection of sightline adapters, mull covers and sash lug options. We have our own extrusion press and can easily match new profiles to meet your project needs.



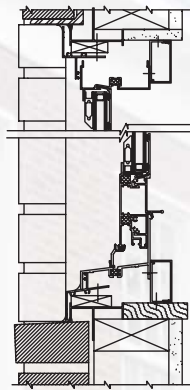
University of North Carolina at Wilmington, North Carolina



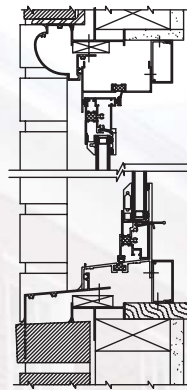
Florida State University Tallahassee, Florida



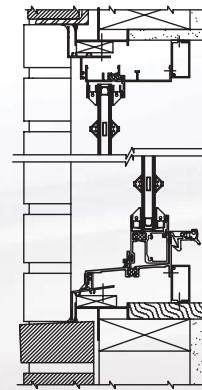
Model 412 w/Panning & Trim



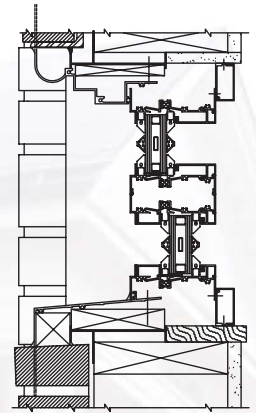
Model 413T w/Panning & Trim



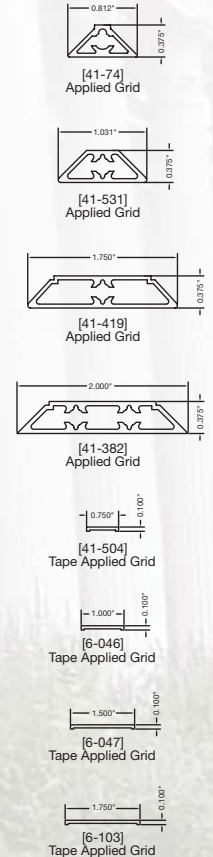
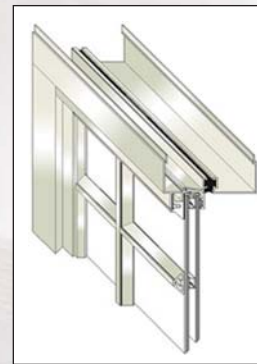
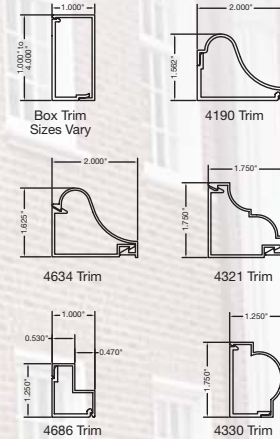
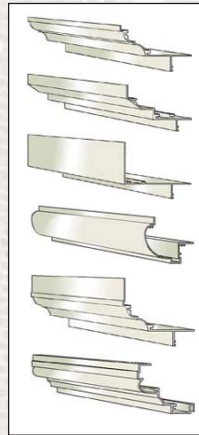
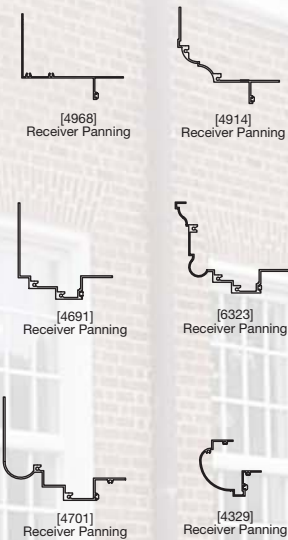
Model 432H w/Panning & Trim



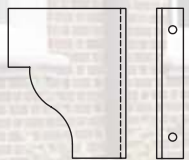
Model 915H w/Panning, Extender & Trim



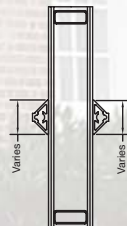
Model 417A w/Panning & Trim



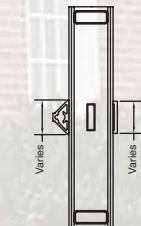
NOTE: Glazing options for grids, applied grids, tape applied grids, scroll & square trim shown in this section have been scaled up for viewing purposes. Peerless has many other profiles for trim and applied grids. Please visit our website at [www.peerlessproducts.com](http://www.peerlessproducts.com) for a profile that best suits your project needs, or we can help design a profile to accommodate your needs.



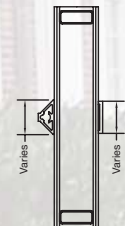
Sash Lug Used for Single & Double Hungs



Applied at Exterior & Interior Only. Used with Certain Models Only.



Triple Grid: Exterior Applied, Between Glass Grids & Interior Tape Applied. Configuration Depends on Gut Capacity When Used on Hung Products.



Exterior Applied & Interior Tape Applied Only.



Between Glass Grids Only

