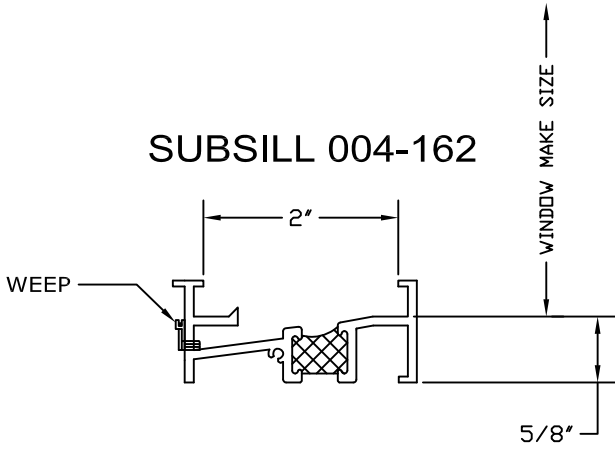
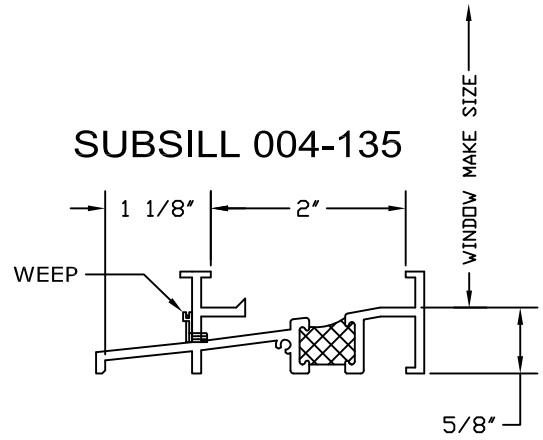


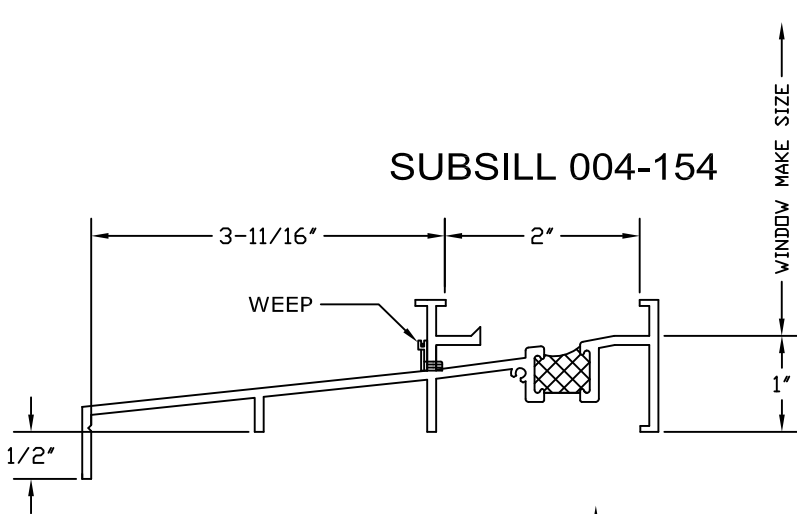
SUBSILL 004-162



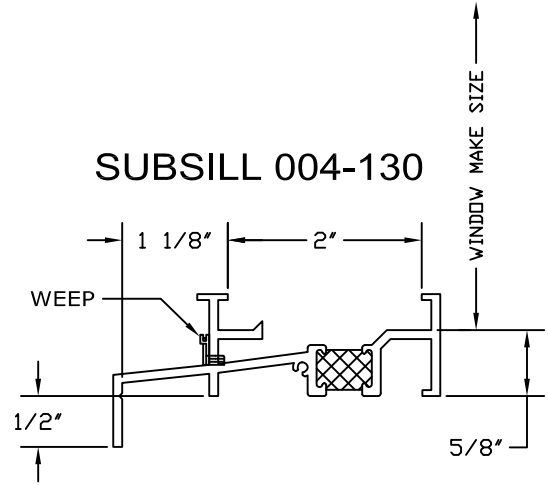
SUBSILL 004-135



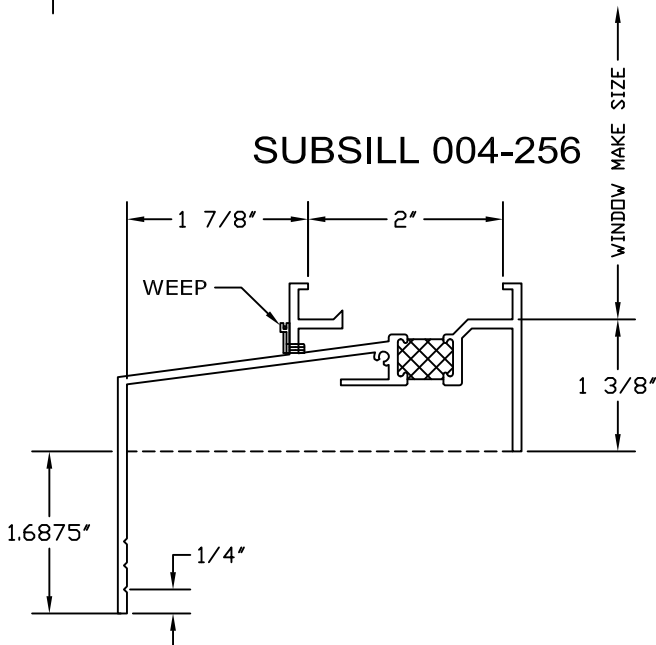
SUBSILL 004-154



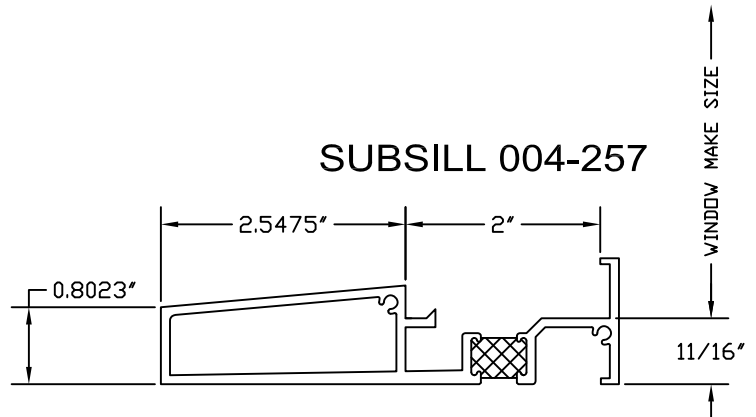
SUBSILL 004-130



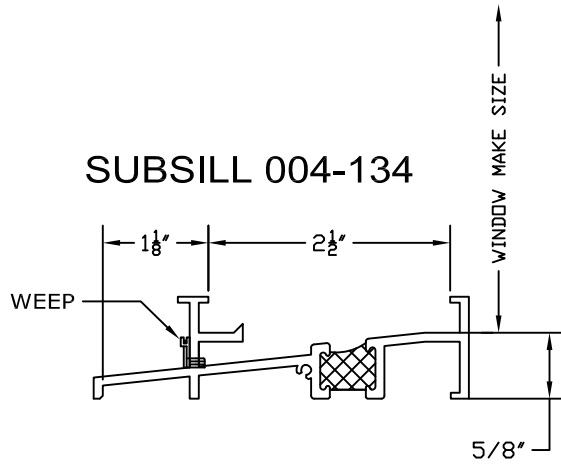
SUBSILL 004-256



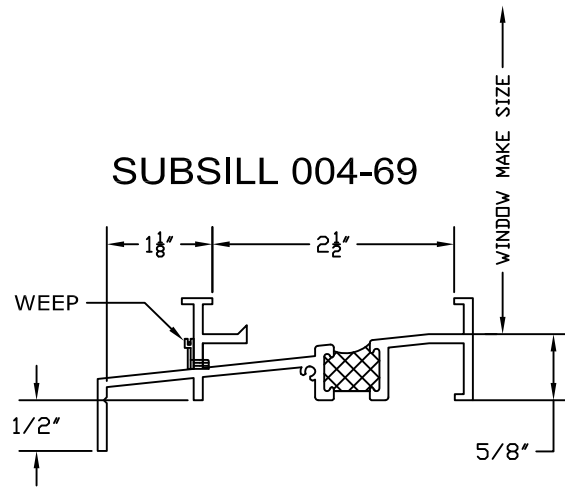
SUBSILL 004-257



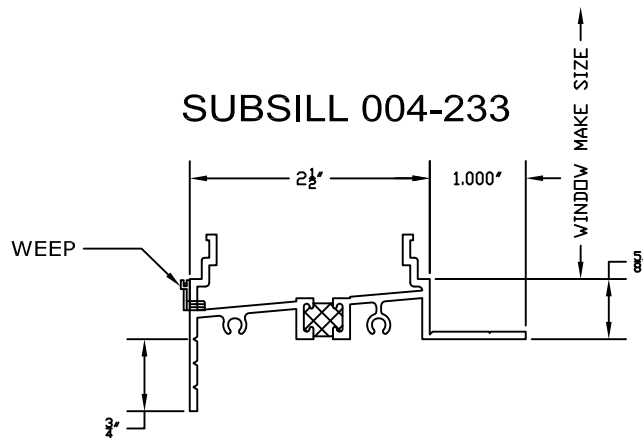
SUBSILL 004-134



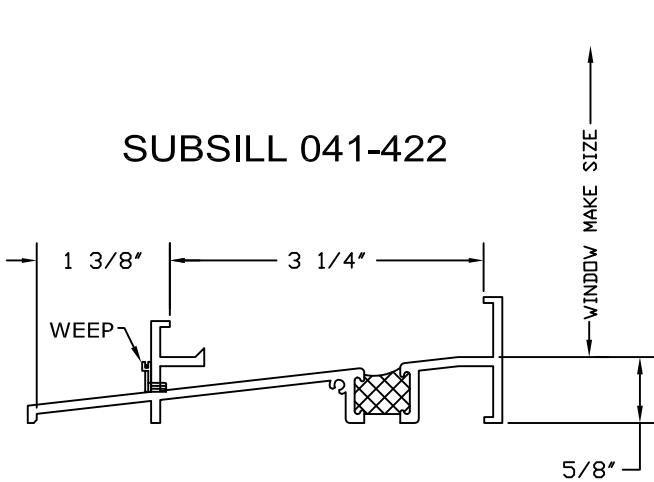
SUBSILL 004-69



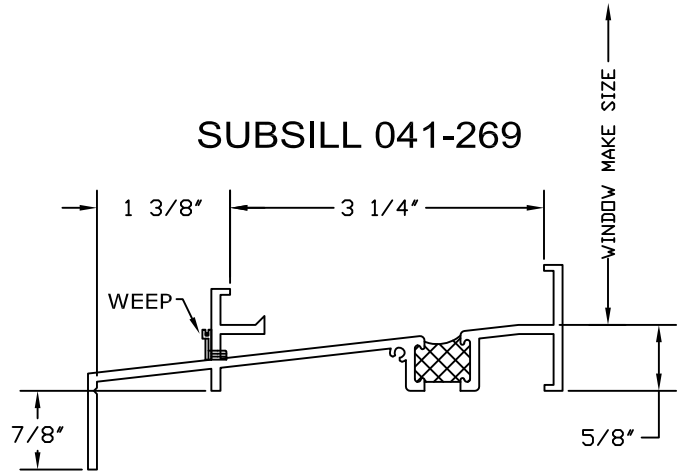
SUBSILL 004-233



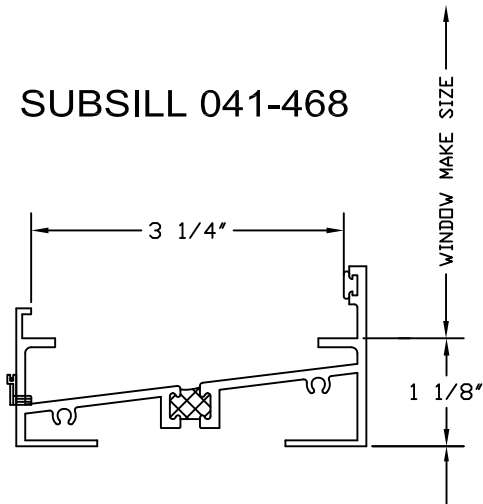
SUBSILL 041-422



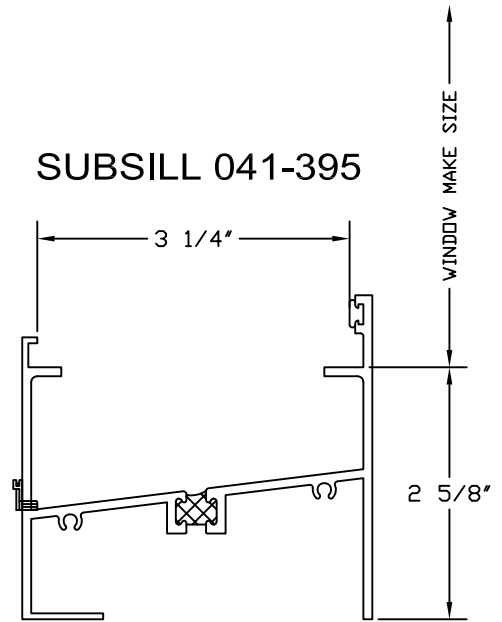
SUBSILL 041-269



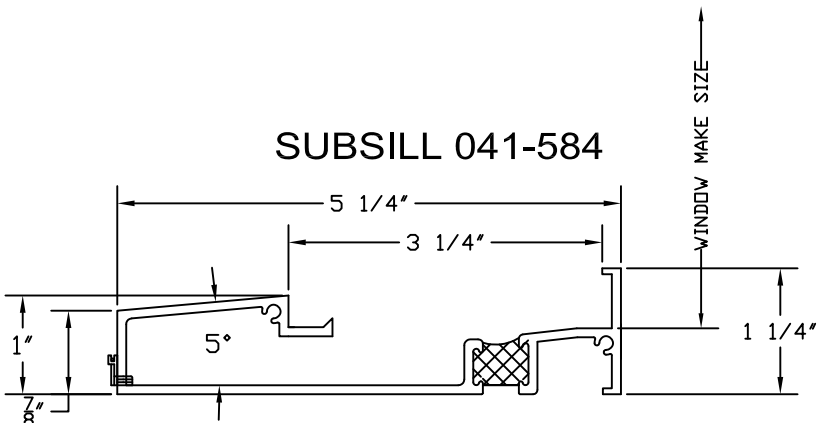
SUBSILL 041-468



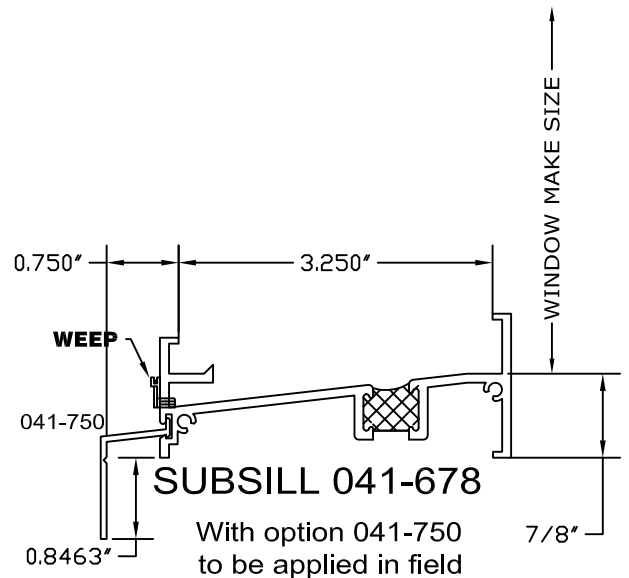
SUBSILL 041-395



SUBSILL 041-584

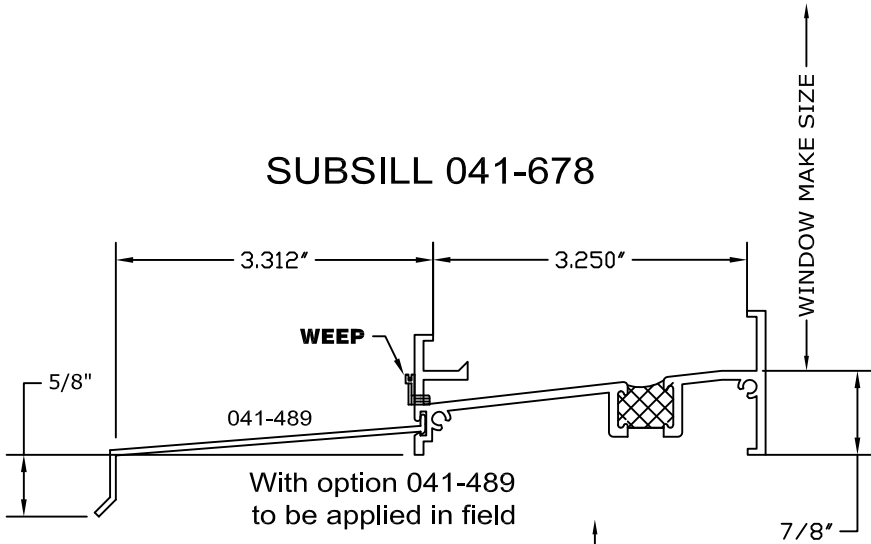


SUBSILL 041-678

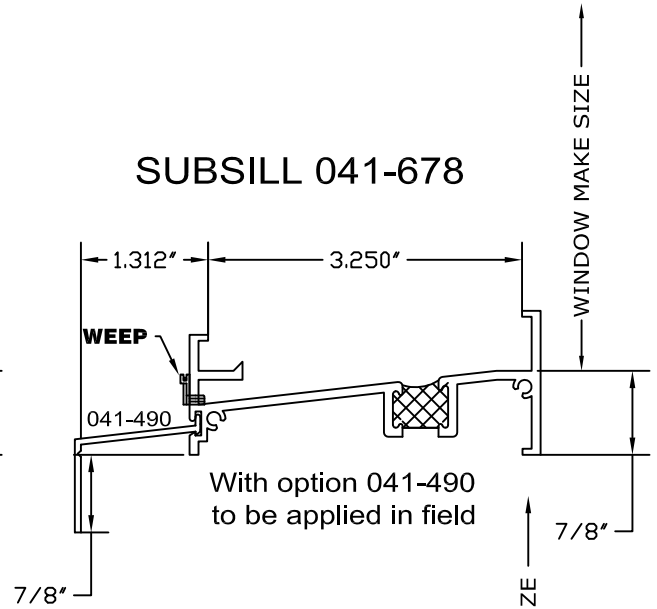


With option 041-750  
 to be applied in field

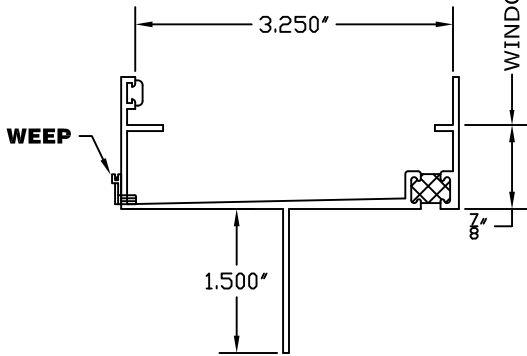
SUBSILL 041-678



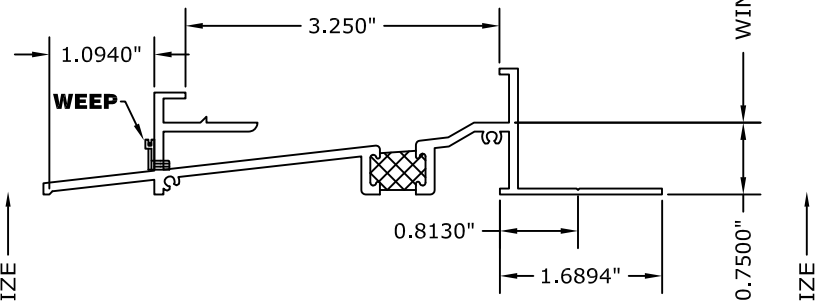
SUBSILL 041-678



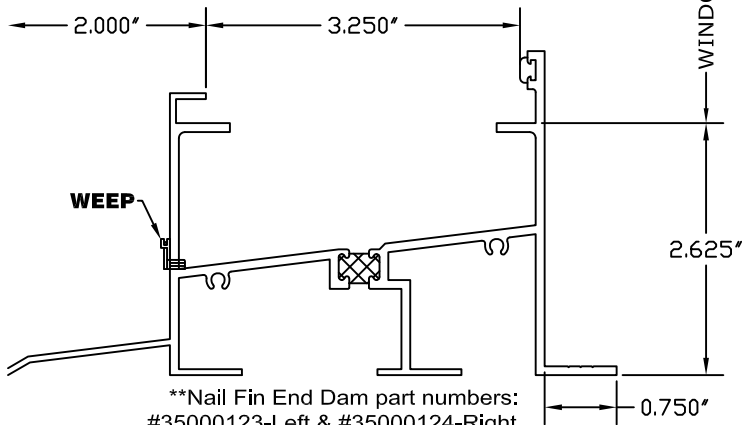
SUBSILL 041-636



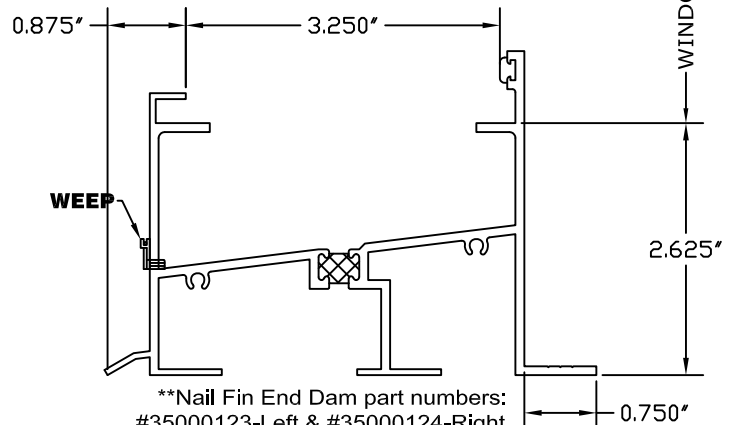
SUBSILL 041-732



SUBSILL 041-747

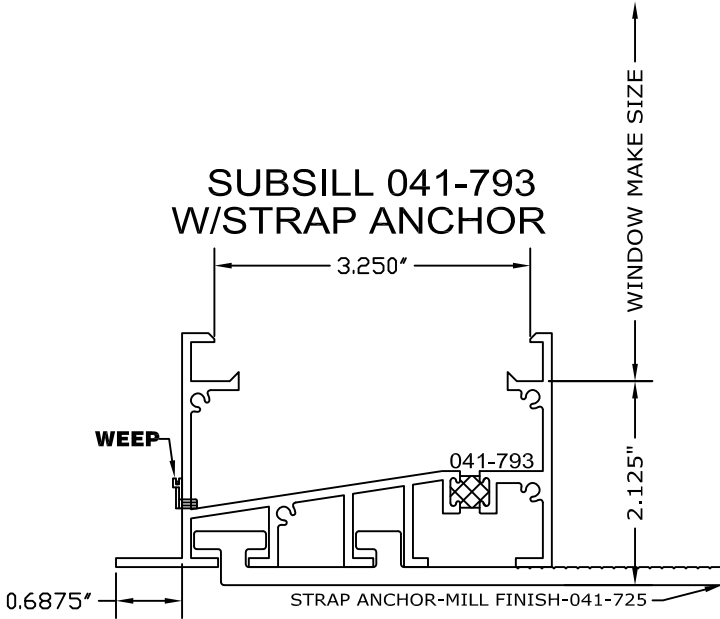


SUBSILL 041-748

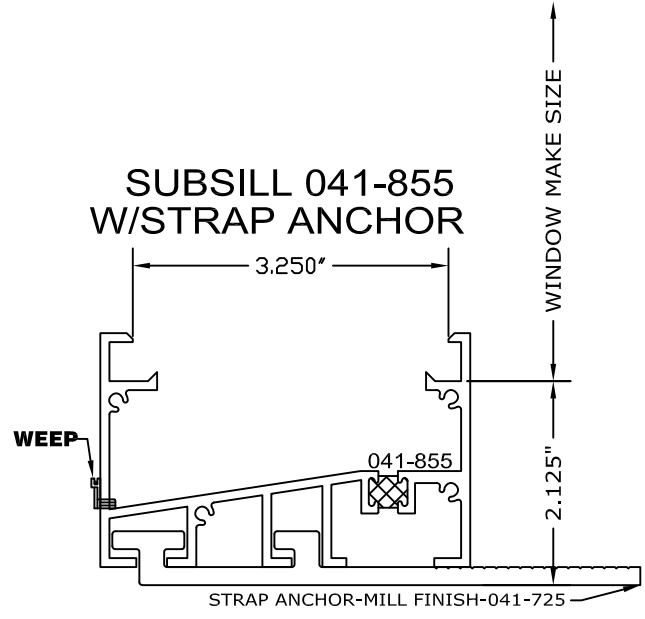


\*\*Nail Fin End Dam part numbers:  
 #35000123-Left & #35000124-Right  
 for use with Models 4165 & 9535 Only\*\*

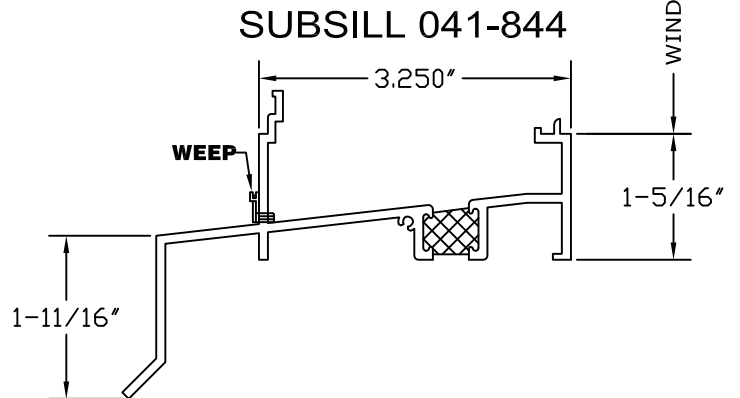
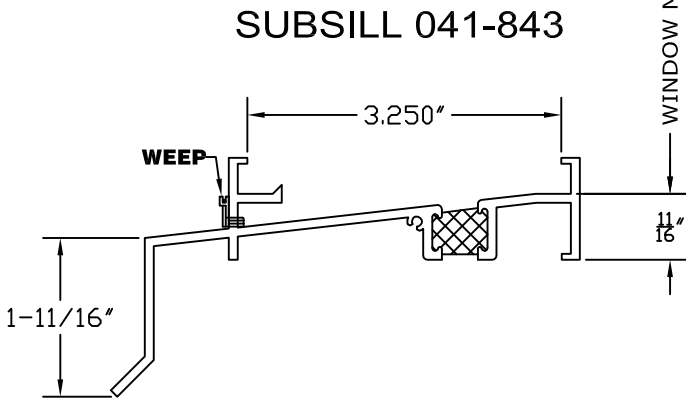
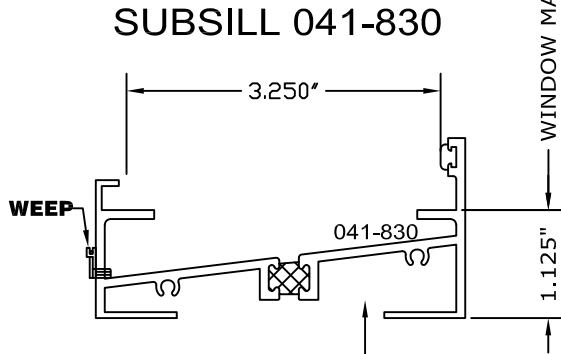
\*\*Nail Fin End Dam part numbers:  
 #35000123-Left & #35000124-Right  
 for use with Models 4165 & 9535 Only\*\*



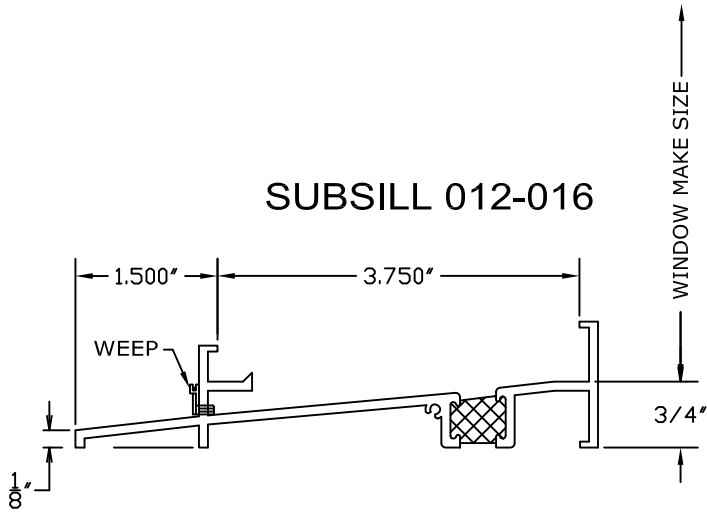
\*Note: Subsill was designed to be used with Receptor Sets [4322] @ Head & [4324] @ Jamb



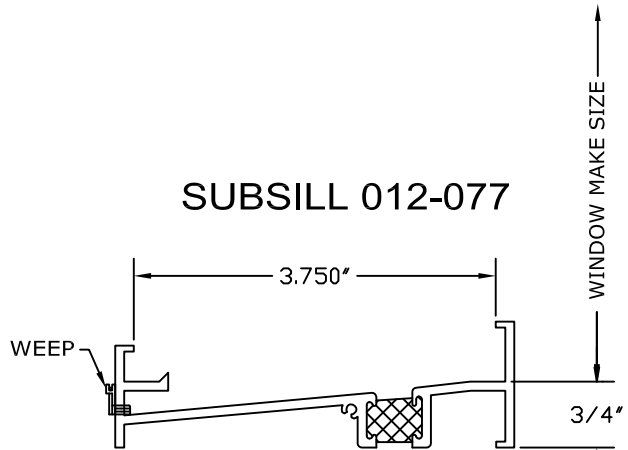
\*Note: Subsill was designed to be used with Receptor Sets [4324] @ Head & Jamb



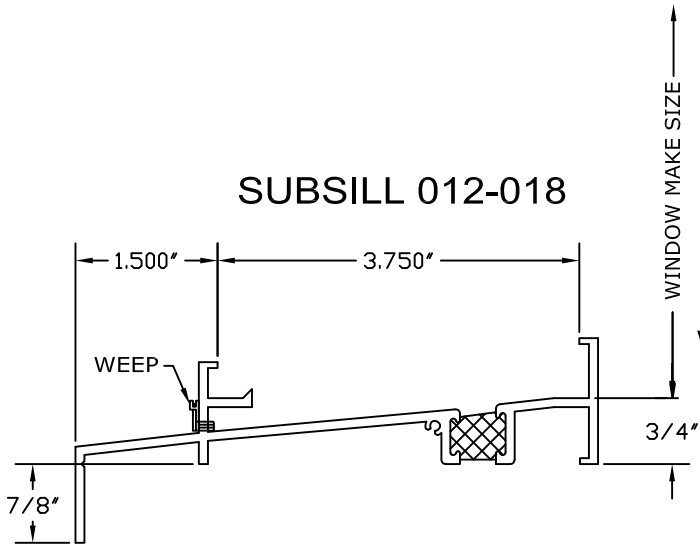
SUBSILL 012-016



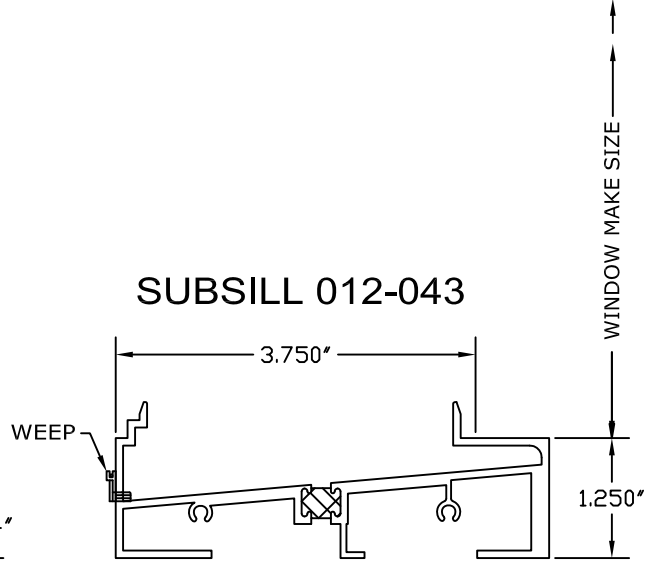
SUBSILL 012-077



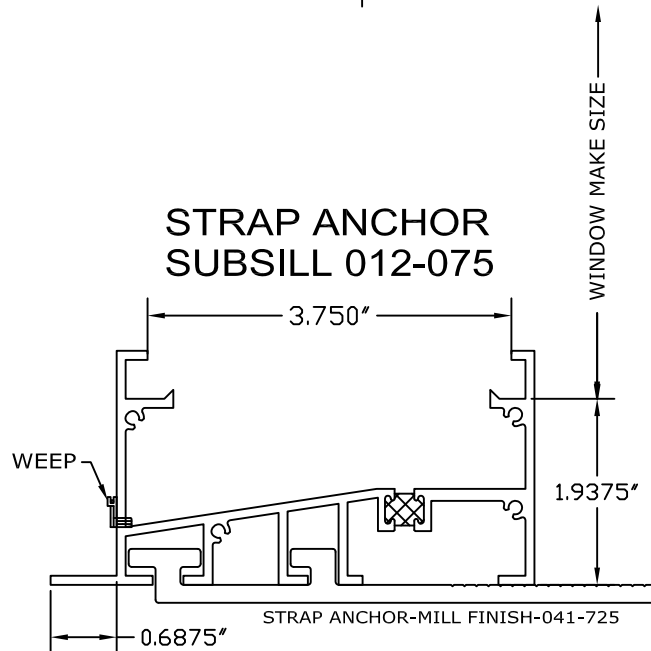
SUBSILL 012-018



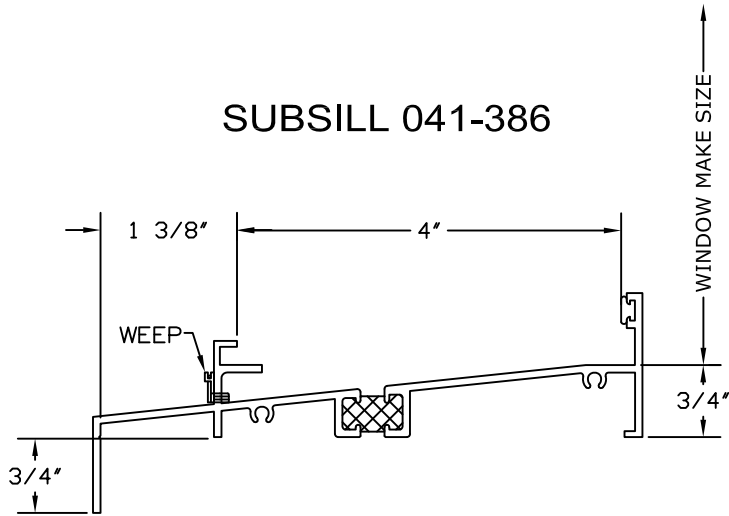
SUBSILL 012-043



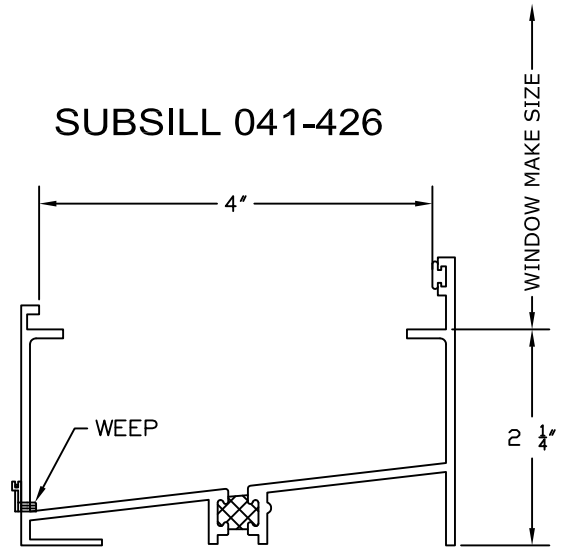
STRAP ANCHOR  
SUBSILL 012-075



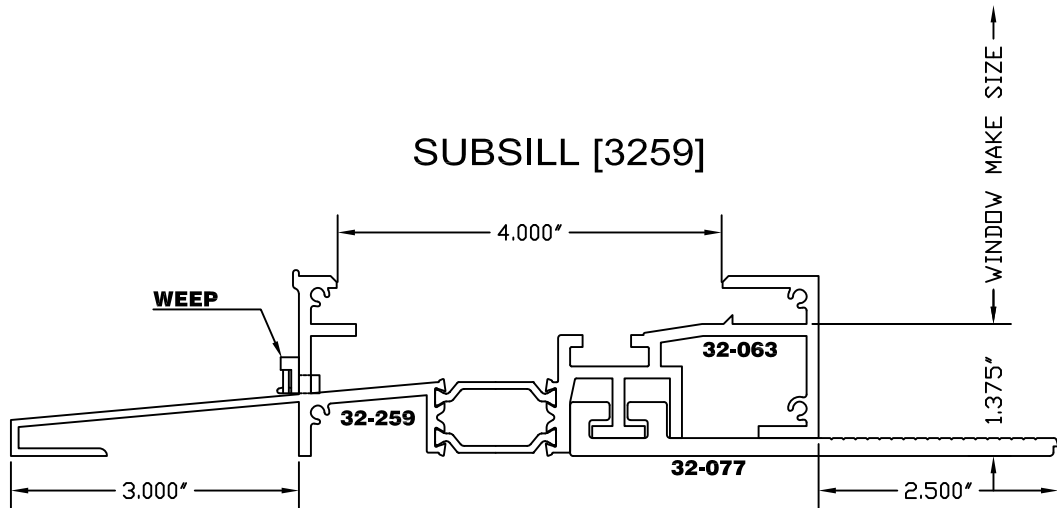
SUBSILL 041-386



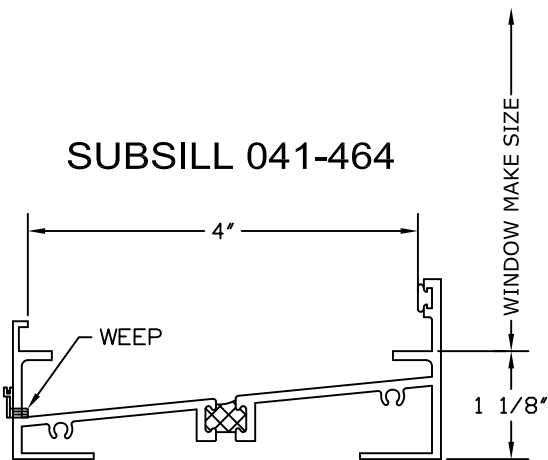
SUBSILL 041-426



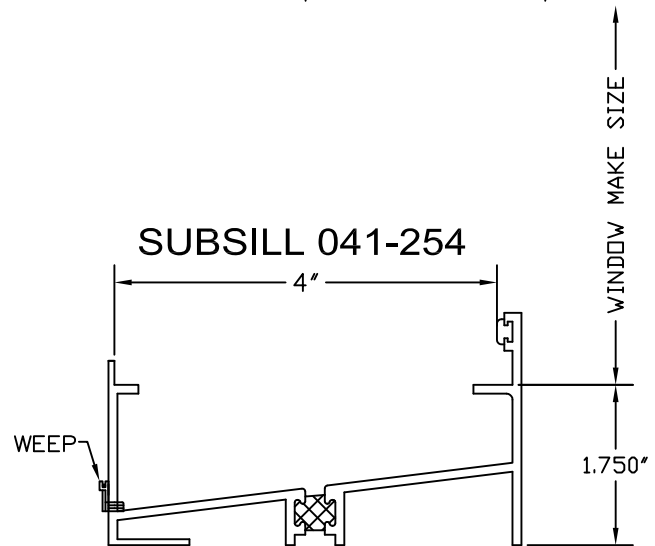
SUBSILL [3259]



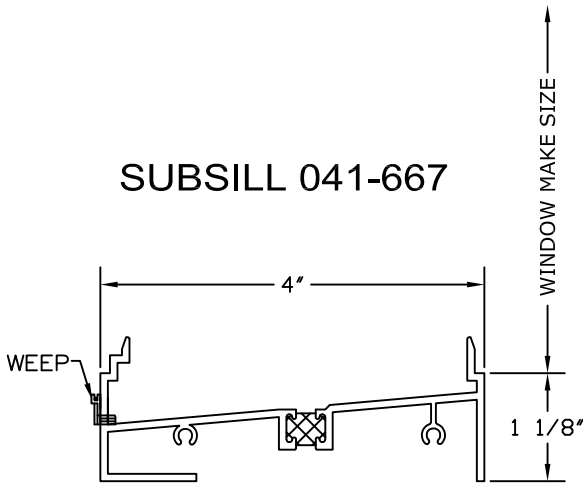
SUBSILL 041-464



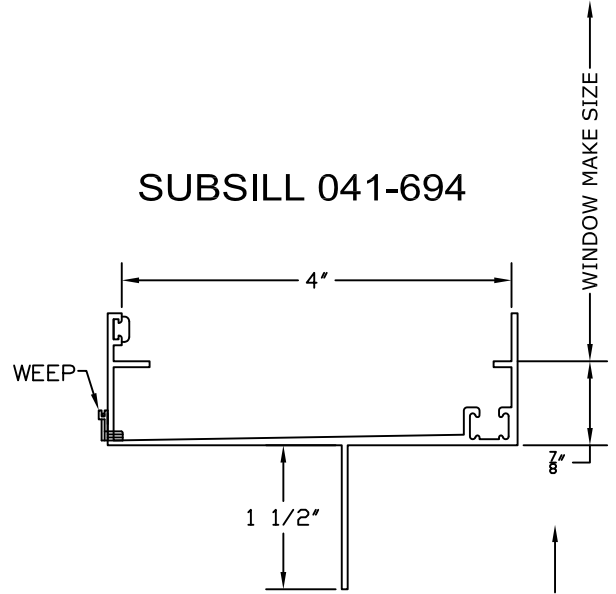
SUBSILL 041-254



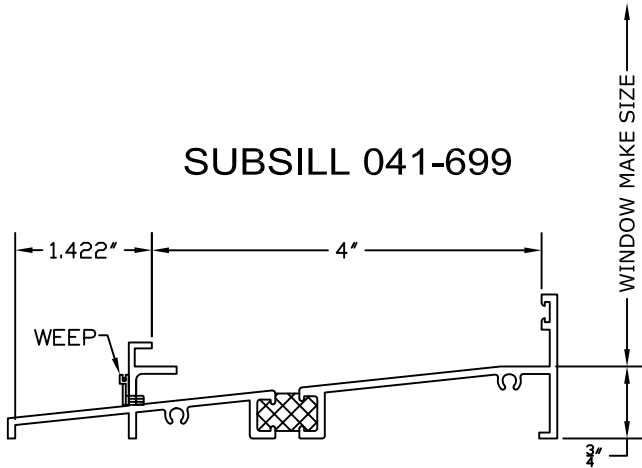
SUBSILL 041-667



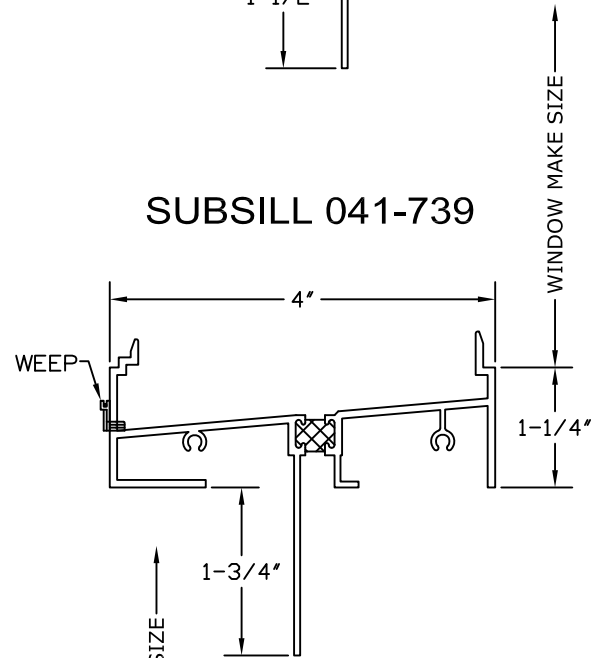
SUBSILL 041-694



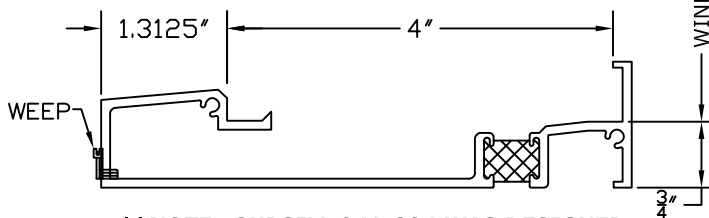
SUBSILL 041-699



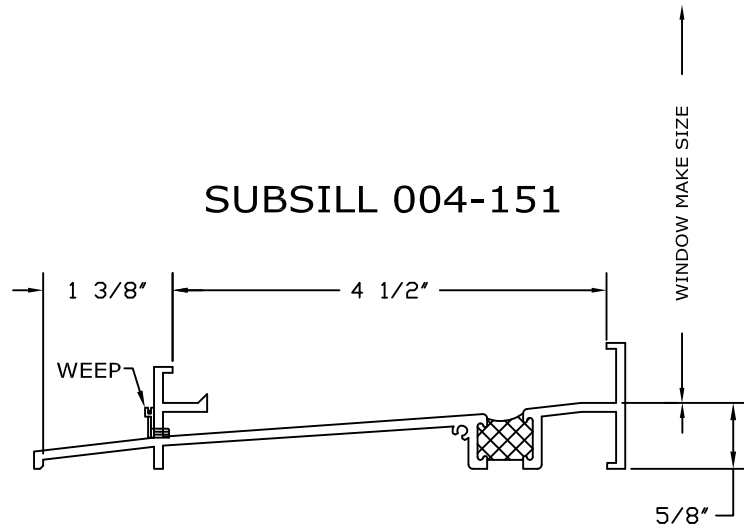
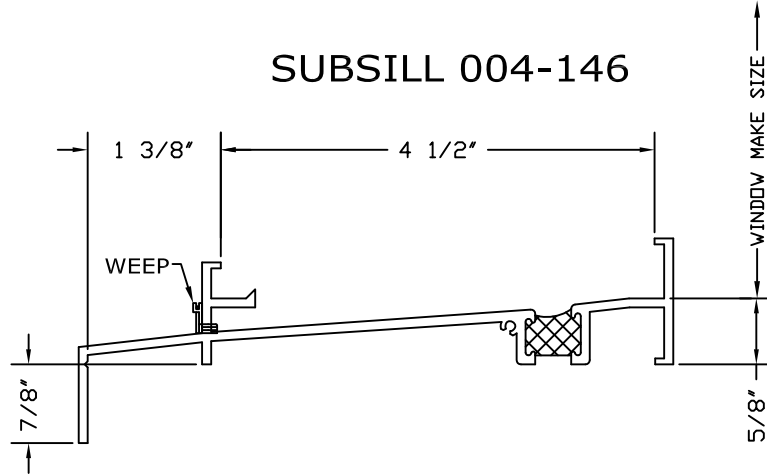
SUBSILL 041-739



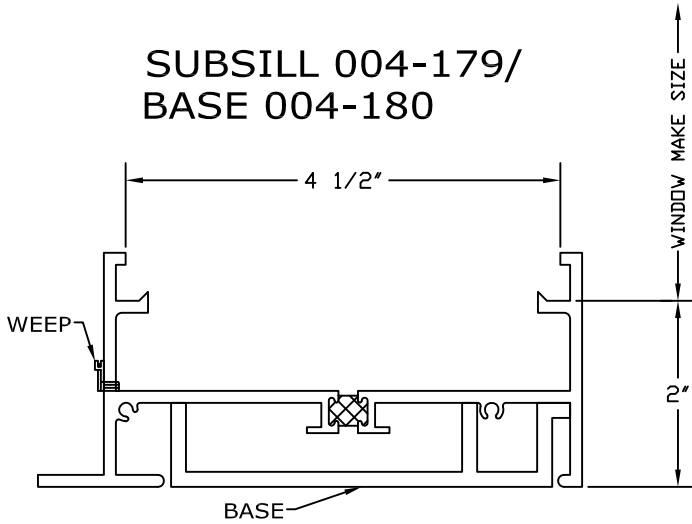
SUBSILL 041-804



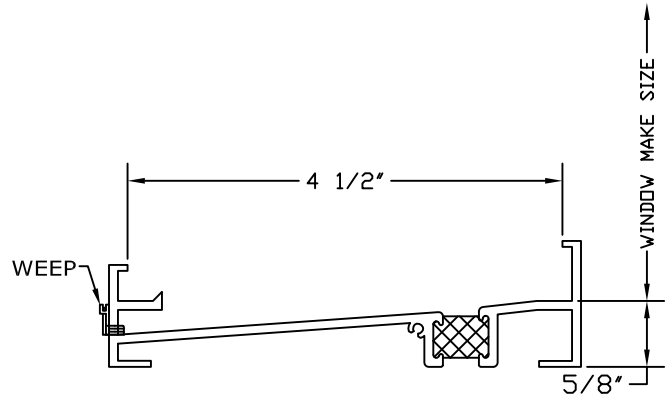
**\*\*NOTE: SUBSILL 041-804 WAS DESIGNED TO BE USED WITH RECEPTOR SET [4803] SO RECEPTOR WOULD HAVE PROPER LANDING BETWEEN JAMB RECEPTOR TO SUBSILL CONNECTION OR CONTACT ENGINEERING FOR OTHER AVAILABILITES \*\***



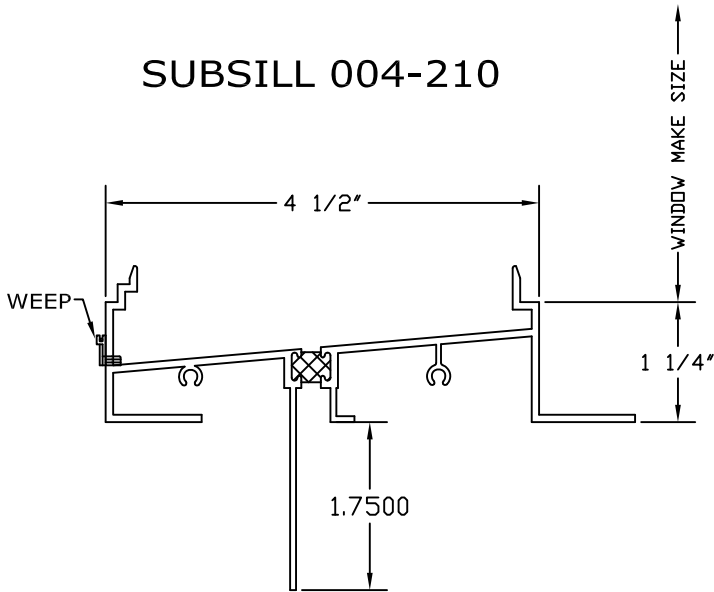
SUBSILL 004-179/  
 BASE 004-180



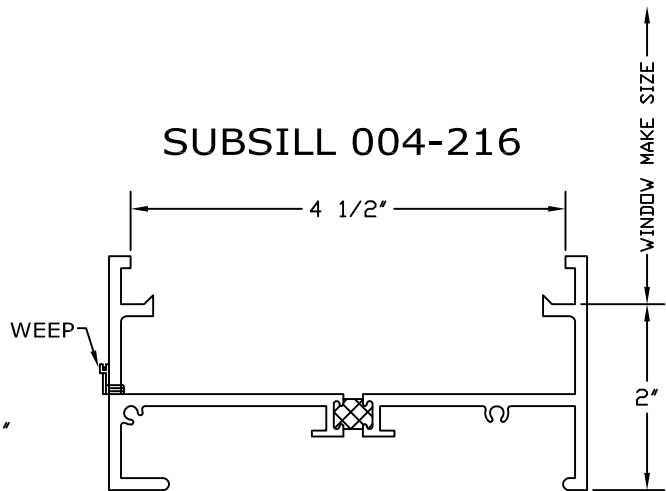
SUBSILL 004-199



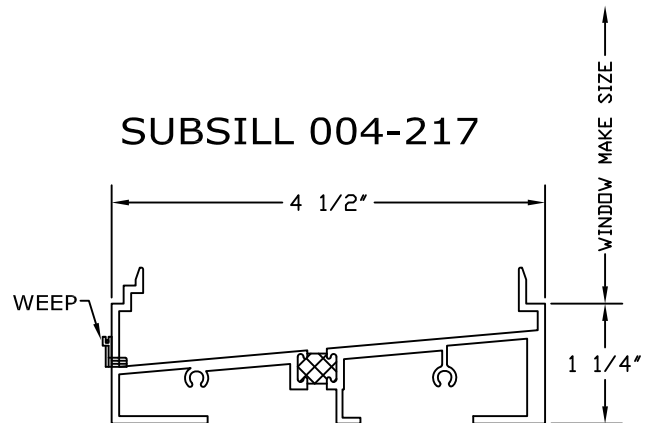
SUBSILL 004-210



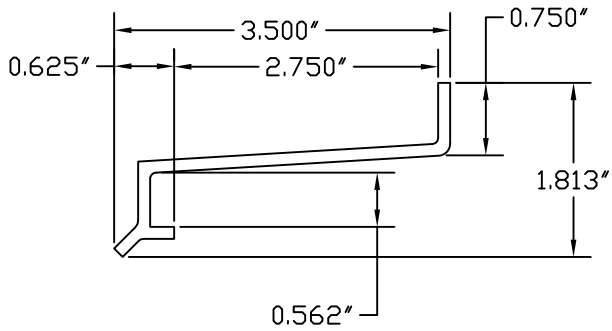
SUBSILL 004-216



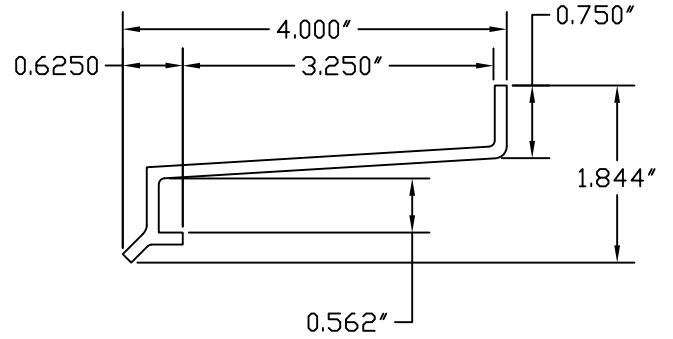
SUBSILL 004-217



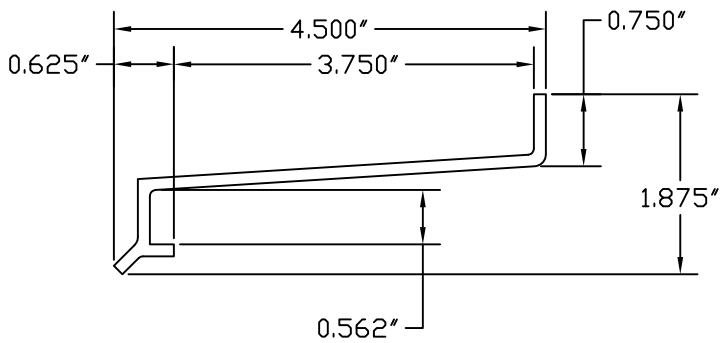
**Alcoa Sill 54684**



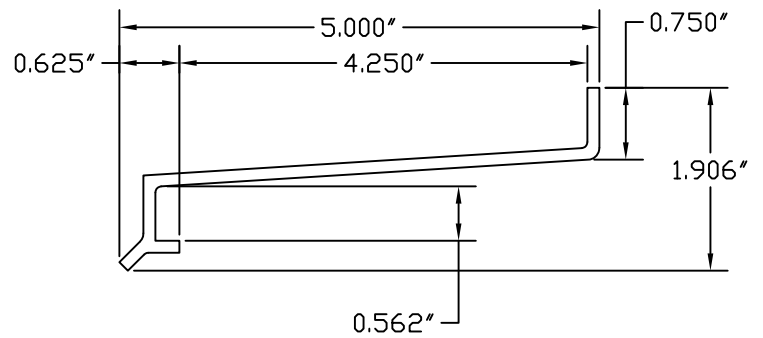
**Alcoa Sill 54685**



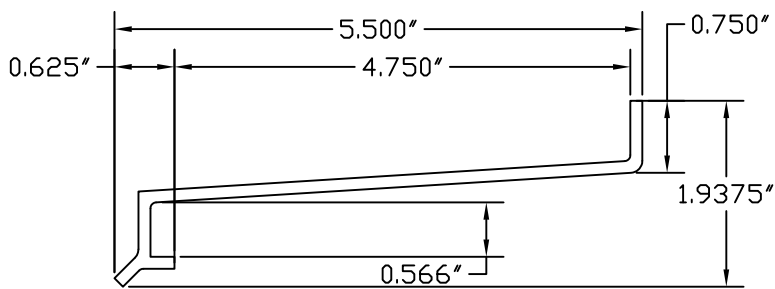
**Alcoa Sill 54686**



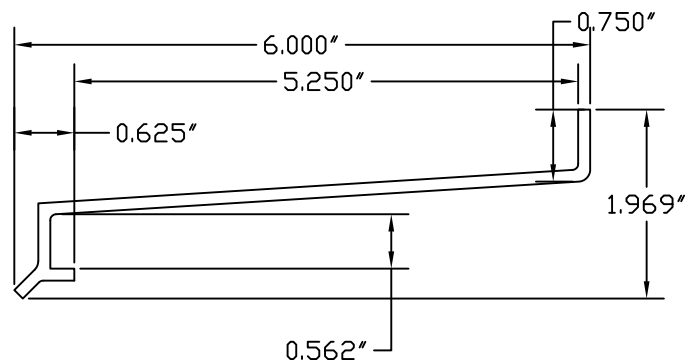
**Alcoa Sill 54687**



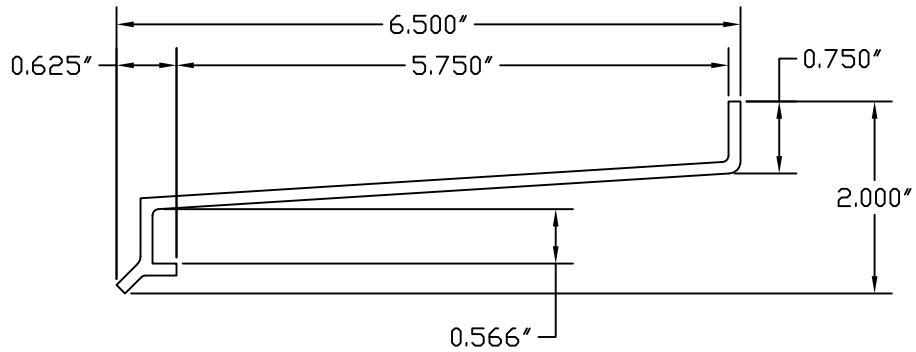
**Alcoa Sill 54688**



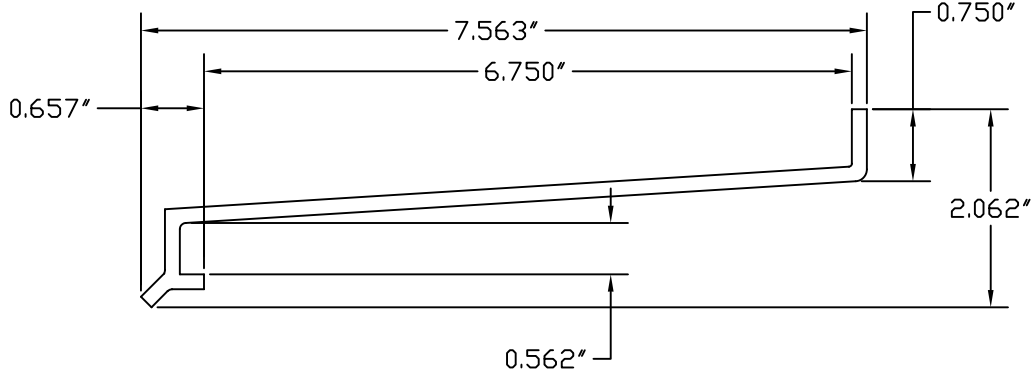
**Alcoa Sill 54689**



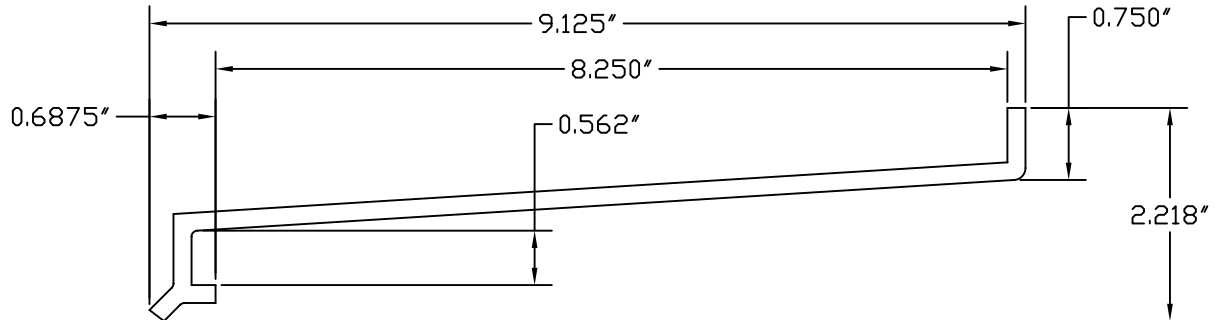
Alcoa Sill 54690



Alcoa Sill 54691



Alcoa Sill 54693



Alcoa Sill Clip SA-100

