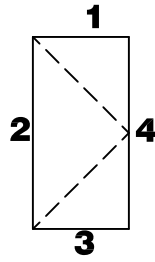
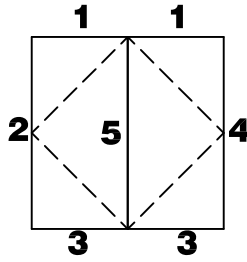


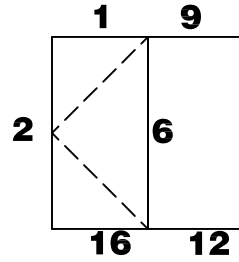
2551



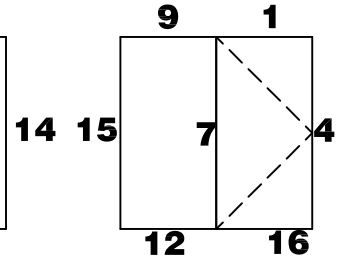
2555



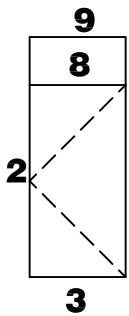
2552



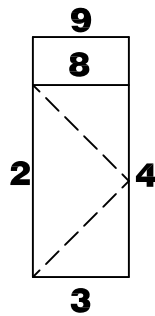
2553



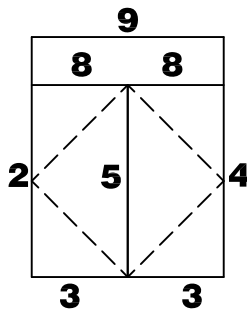
2554



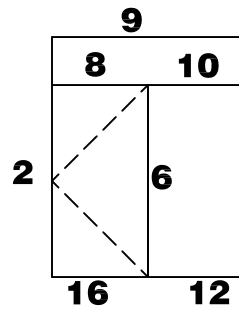
2557



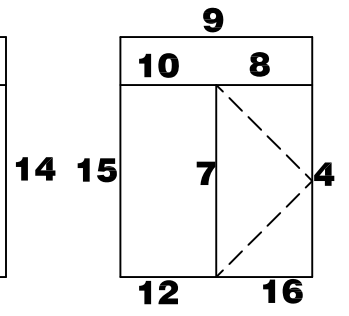
2558



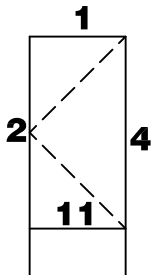
2559



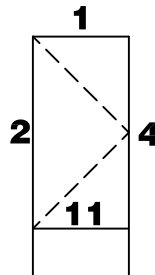
2596



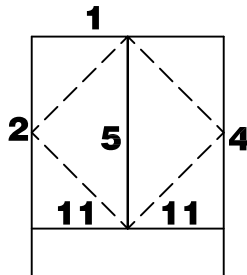
259A



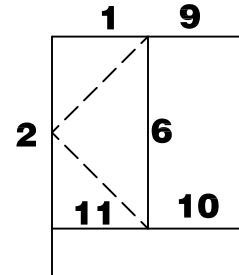
250E



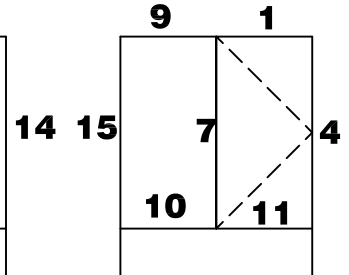
250D



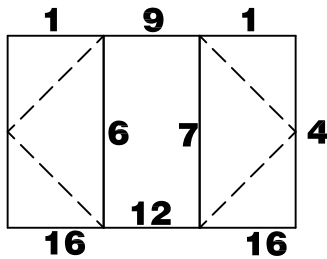
255A



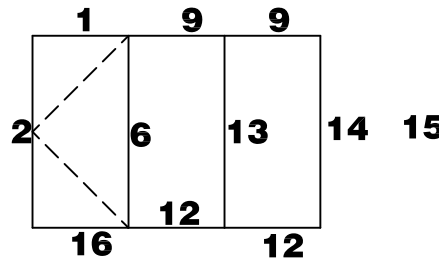
250B



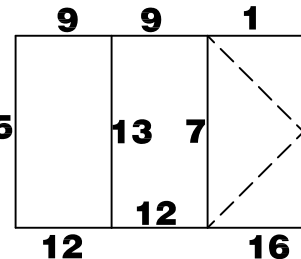
250A



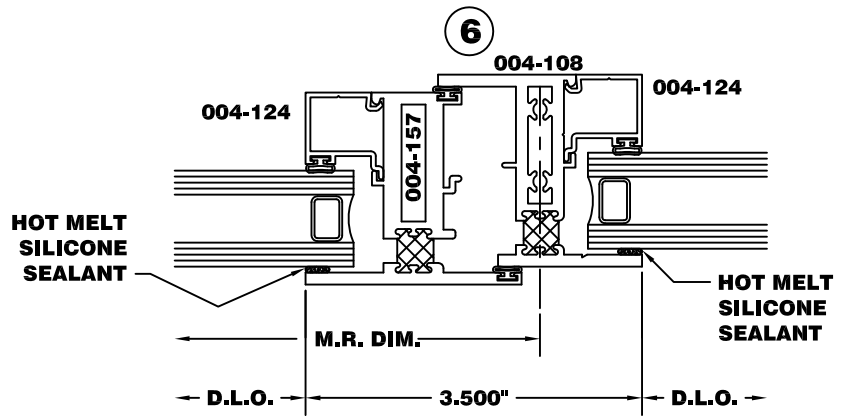
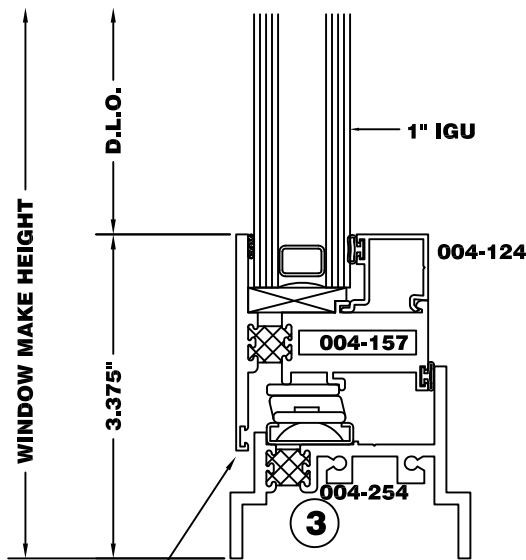
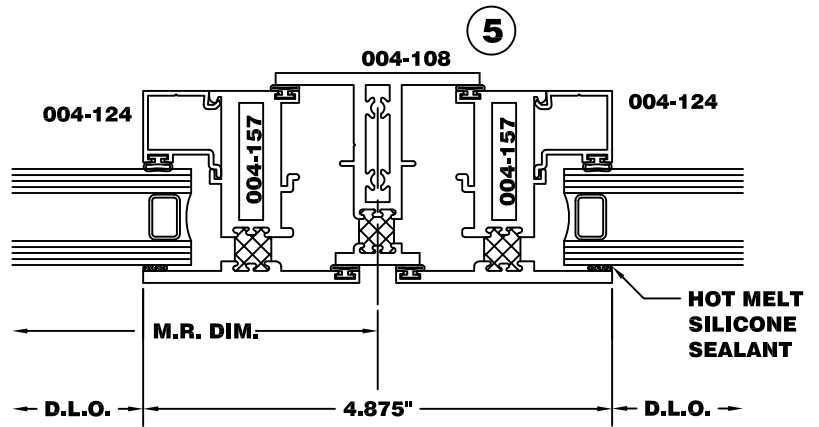
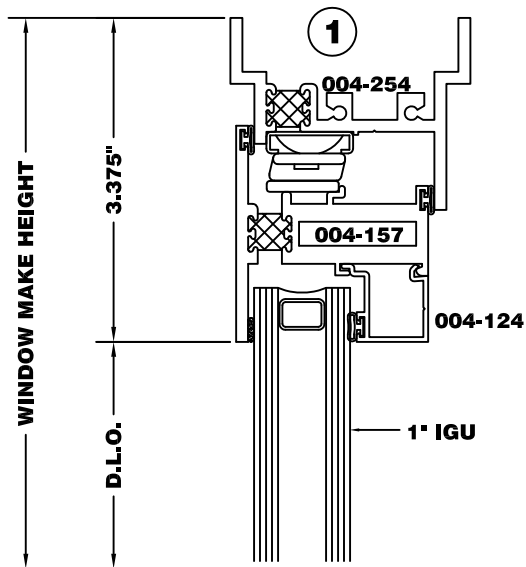
2556



255B



255C



NO SEAL GASKET FOR
 EQUAL PRESSURIZATION

