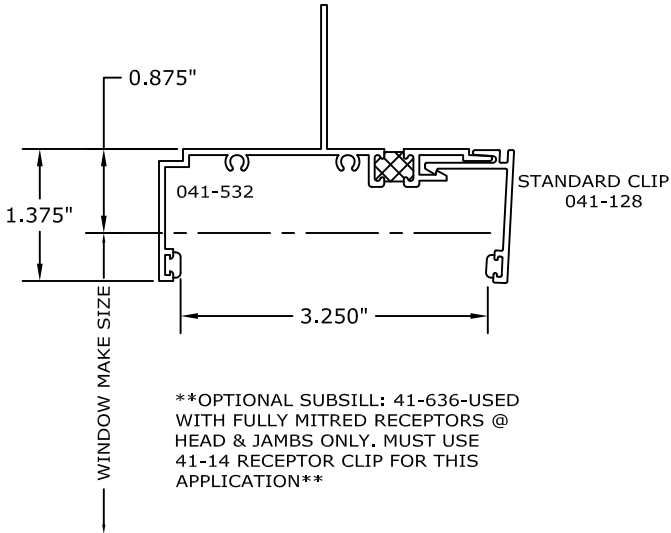
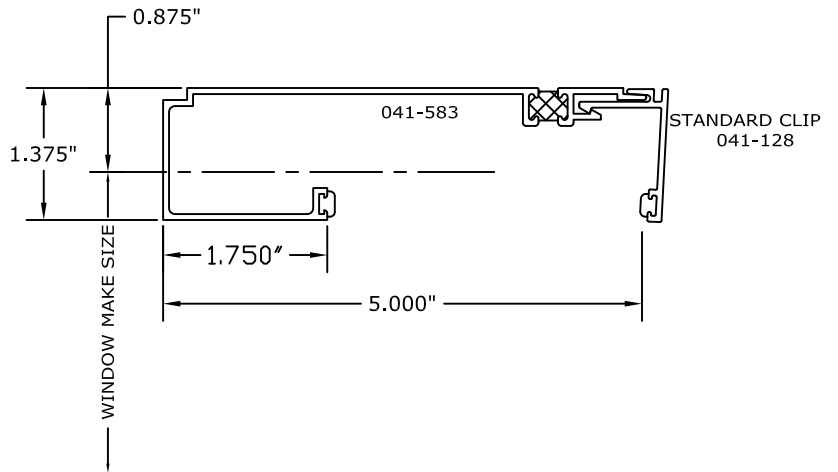


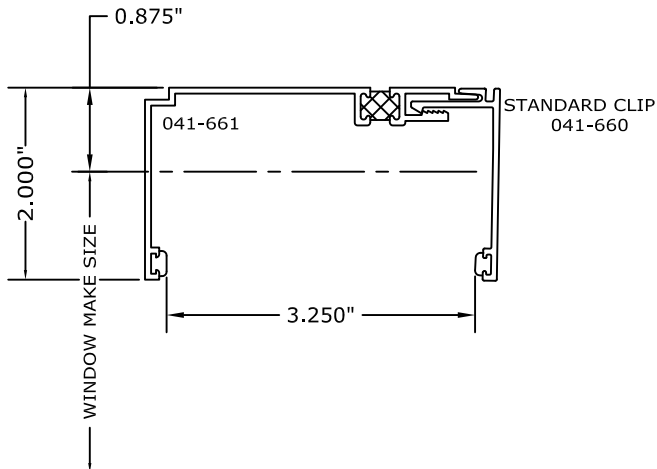
(4311) 3 1/4" TWO PIECE RECEPTOR SYSTEM



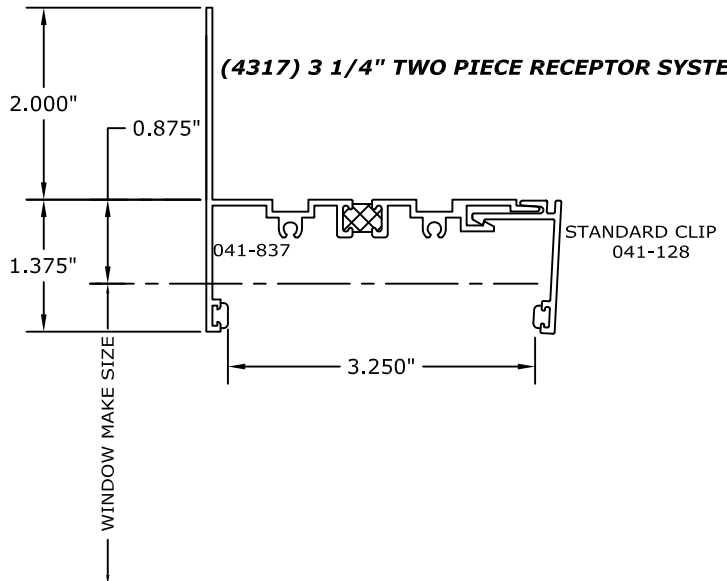
(4510) 3 1/4" TWO PIECE RECEPTOR SYSTEM



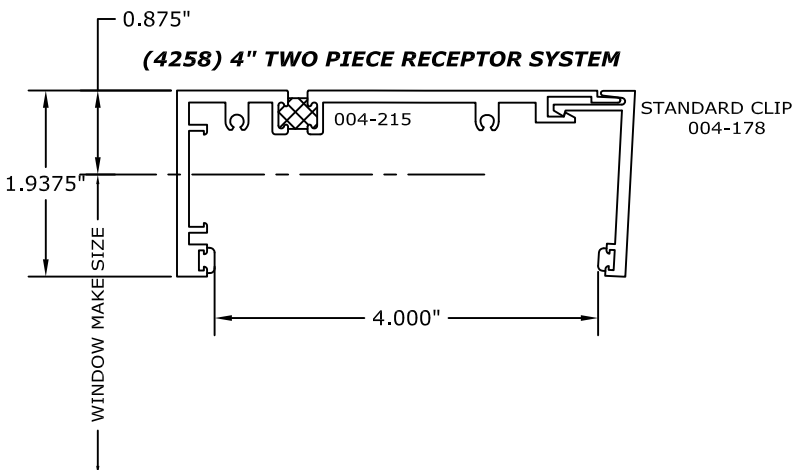
(4312) 3 1/4" TWO PIECE RECEPTOR SYSTEM



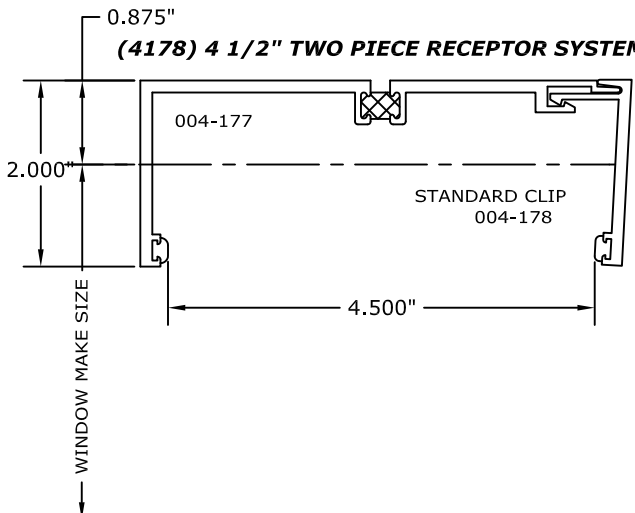
(4317) 3 1/4" TWO PIECE RECEPTOR SYSTEM



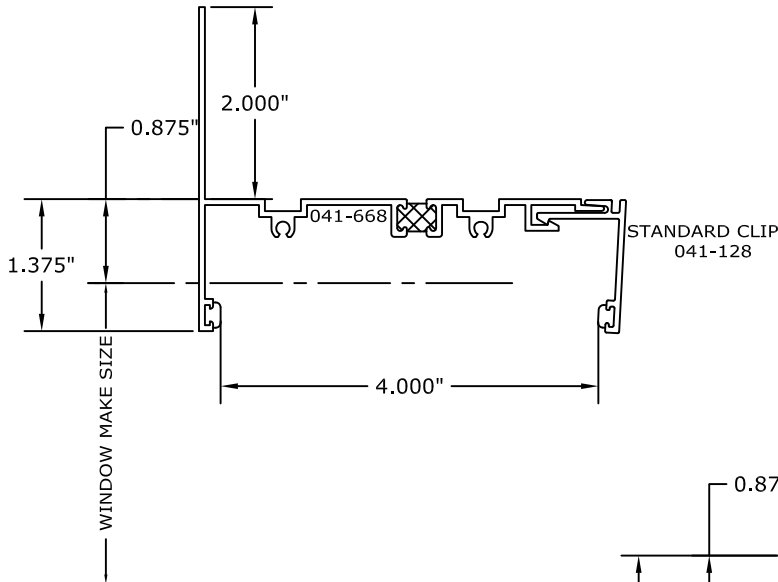
(4258) 4" TWO PIECE RECEPTOR SYSTEM



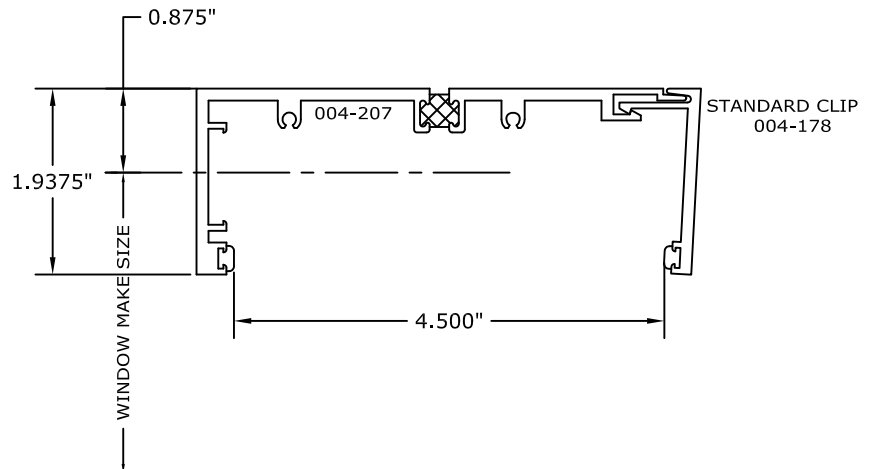
(4178) 4 1/2" TWO PIECE RECEPTOR SYSTEM



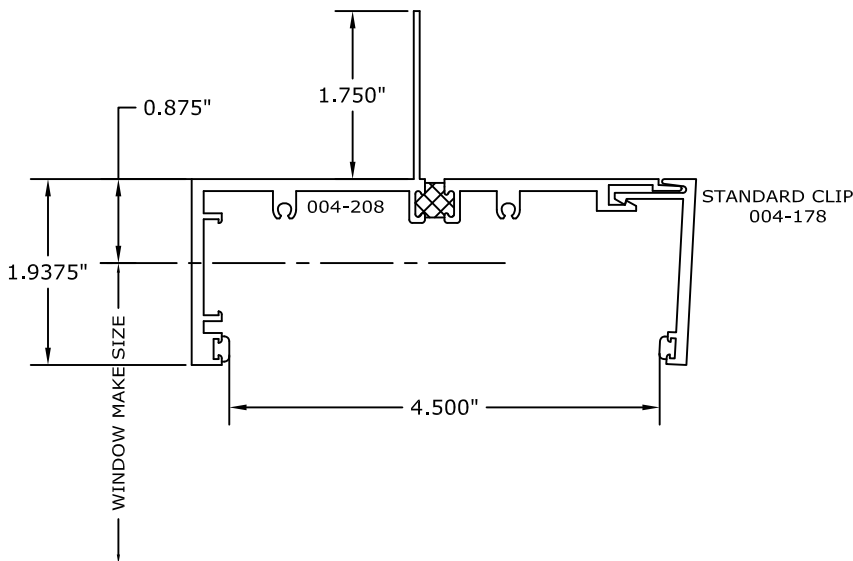
(4116) 4" TWO PIECE RECEPTOR SYSTEM



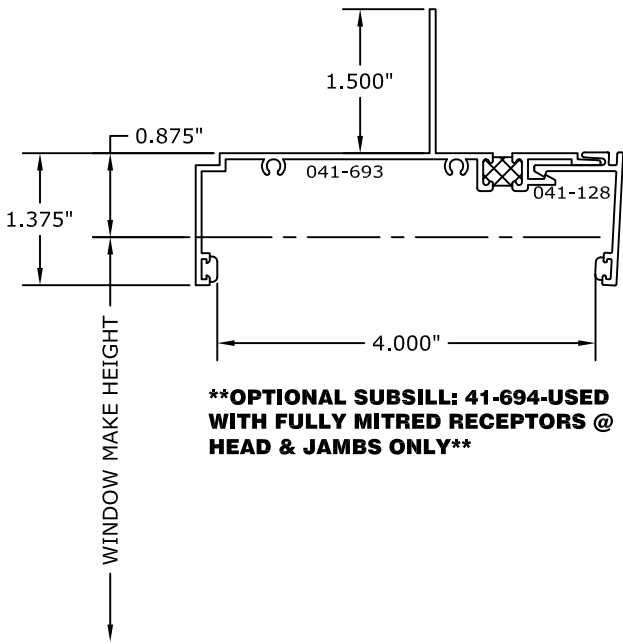
(4207) 4 1/2" TWO PIECE RECEPTOR SYSTEM



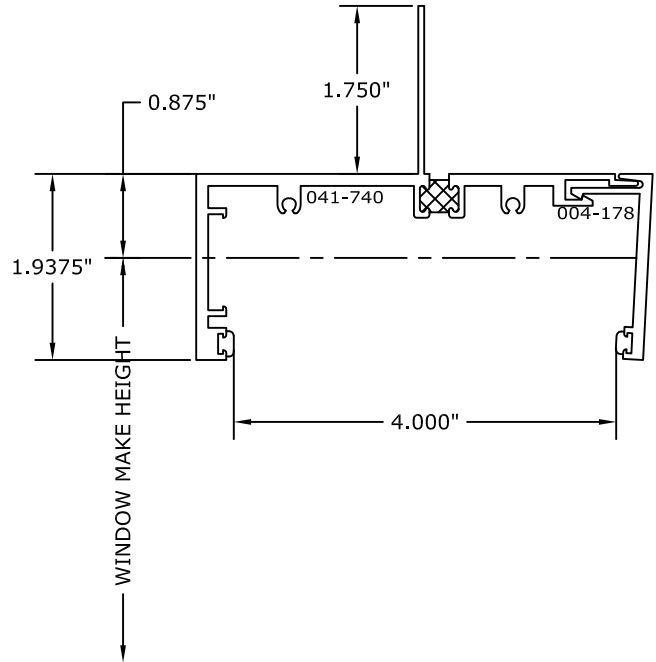
(4208) 4 1/2" TWO PIECE RECEPTOR SYSTEM



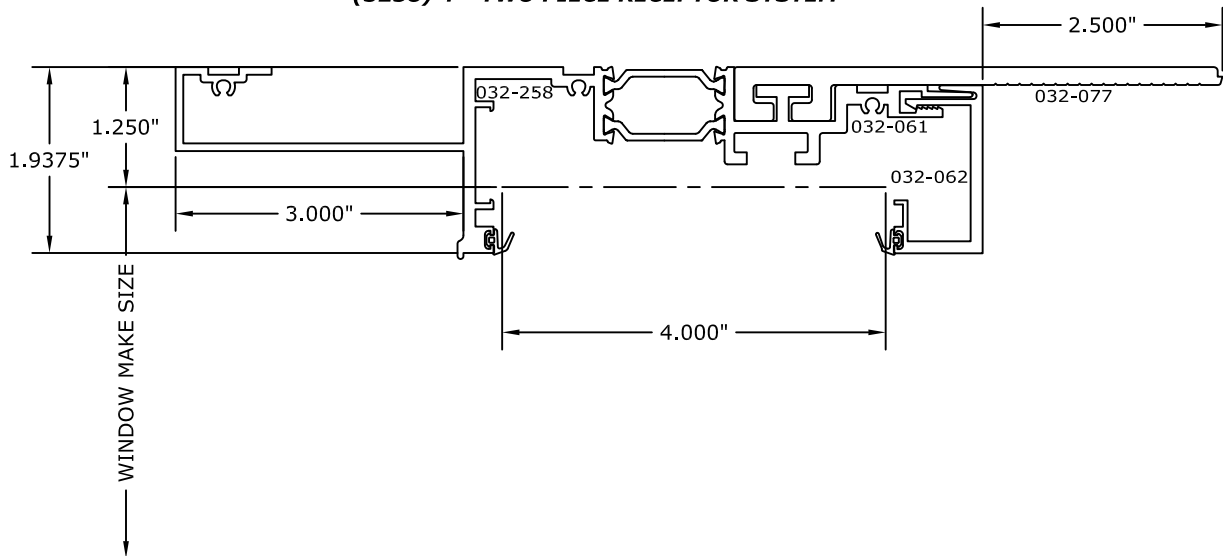
(4111) 4" TWO PIECE RECEPTOR SYSTEM

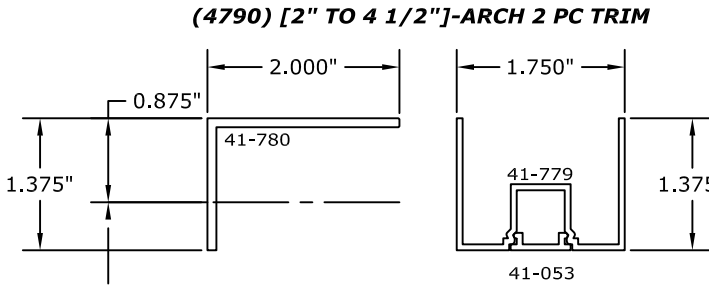
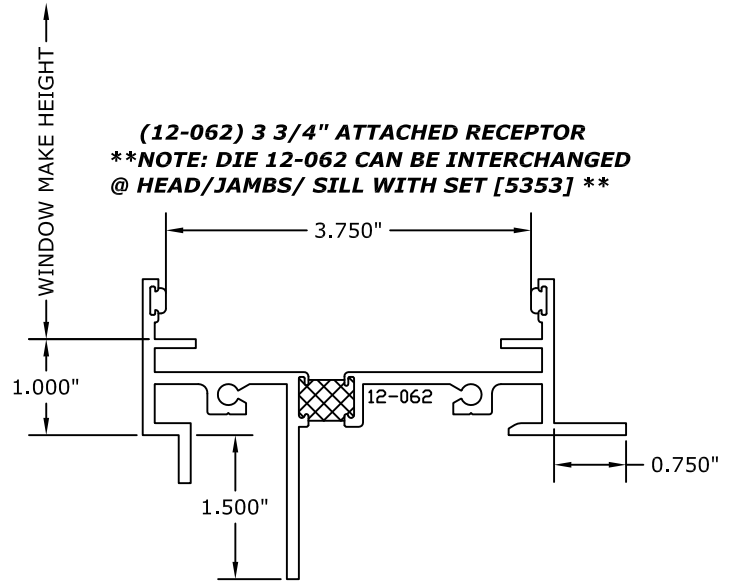
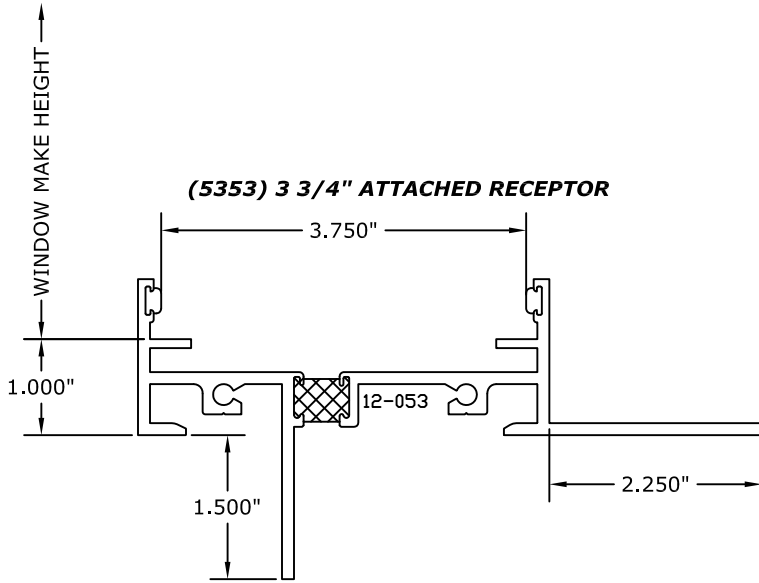


(4740) 4" TWO PIECE RECEPTOR SYSTEM

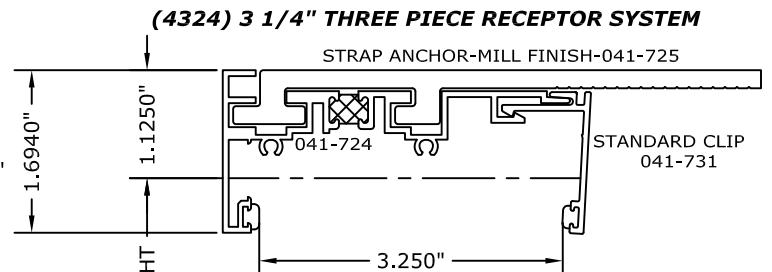


(3258) 4" TWO PIECE RECEPTOR SYSTEM

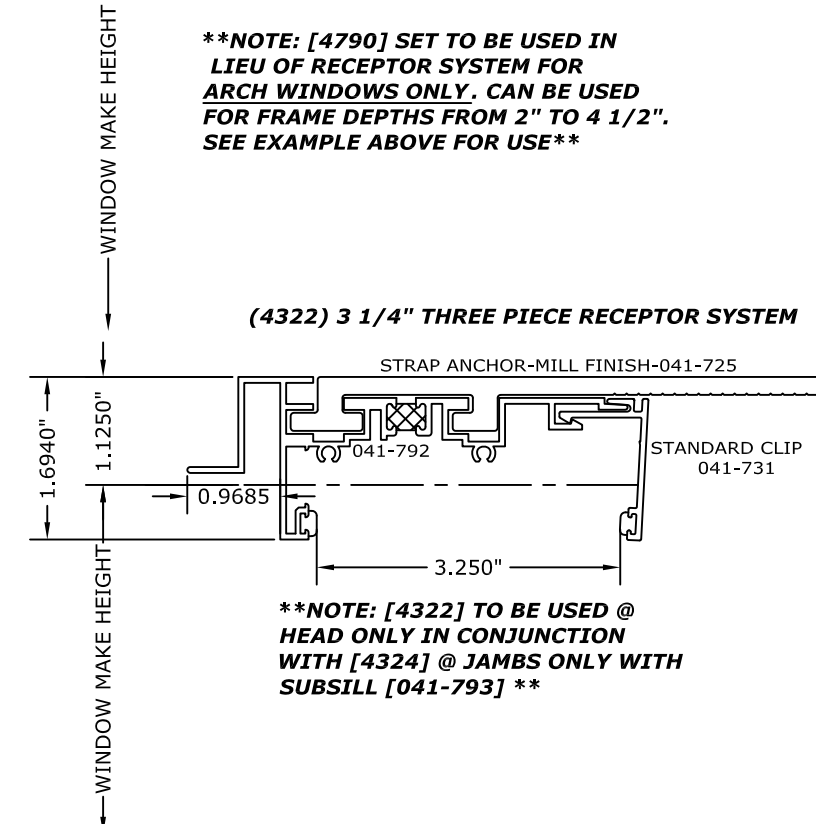




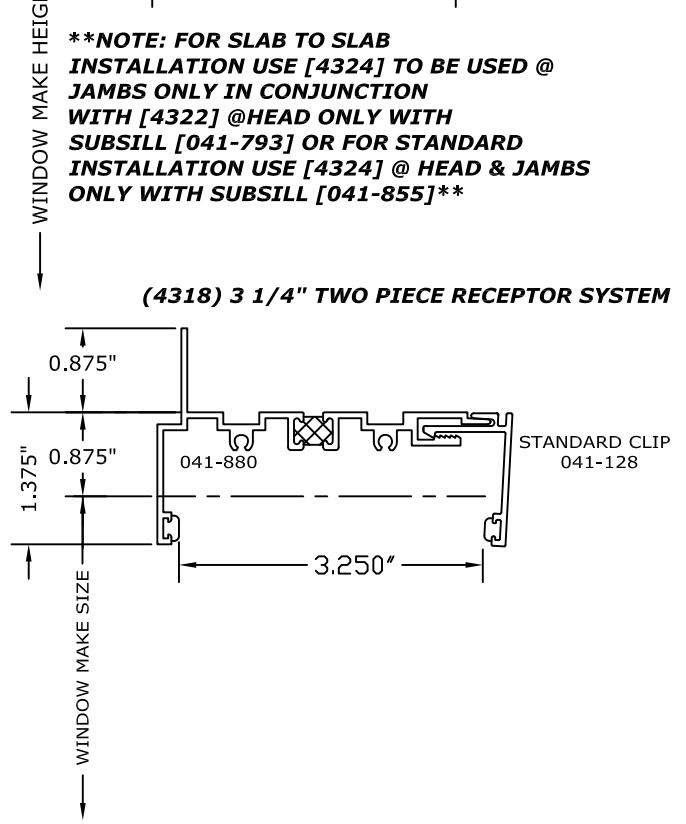
****NOTE: [4790] SET TO BE USED IN LIEU OF RECEPTOR SYSTEM FOR ARCH WINDOWS ONLY. CAN BE USED FOR FRAME DEPTHS FROM 2" TO 4 1/2". SEE EXAMPLE ABOVE FOR USE****



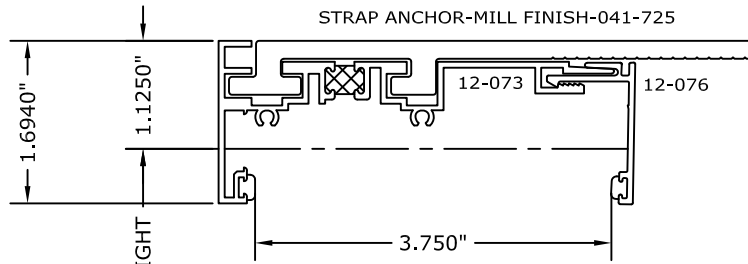
****NOTE: FOR SLAB TO SLAB INSTALLATION USE [4324] TO BE USED @ JAMBS ONLY IN CONJUNCTION WITH [4322] @ HEAD ONLY WITH SUBSILL [041-793] OR FOR STANDARD INSTALLATION USE [4324] @ HEAD & JAMBS ONLY WITH SUBSILL [041-855]****



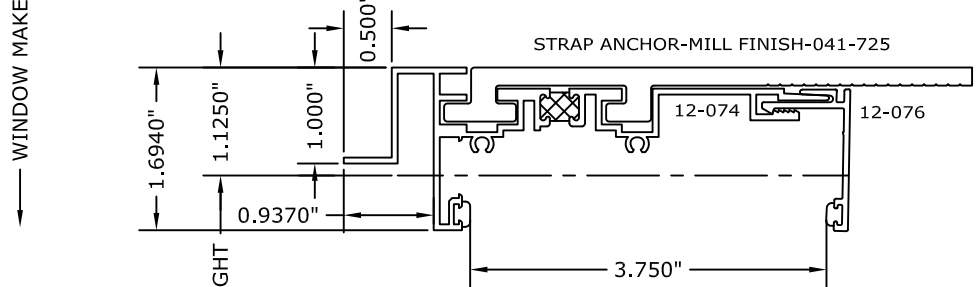
****NOTE: [4322] TO BE USED @ HEAD ONLY IN CONJUNCTION WITH [4324] @ JAMBS ONLY WITH SUBSILL [041-793] ****



(2733) 3 3/4" THREE PIECE RECEPTOR SYSTEM

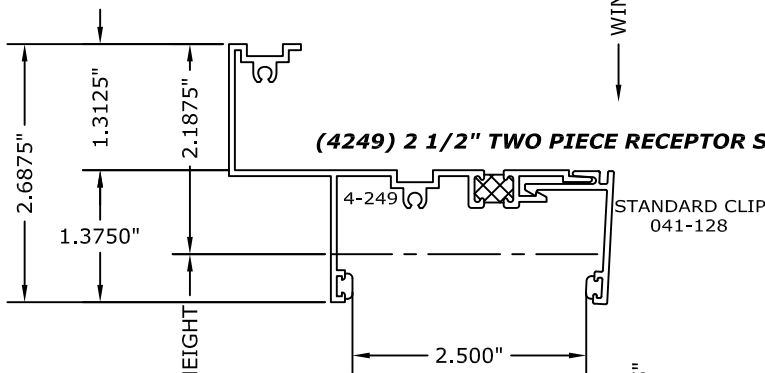


(2734) 3 3/4" THREE PIECE RECEPTOR SYSTEM

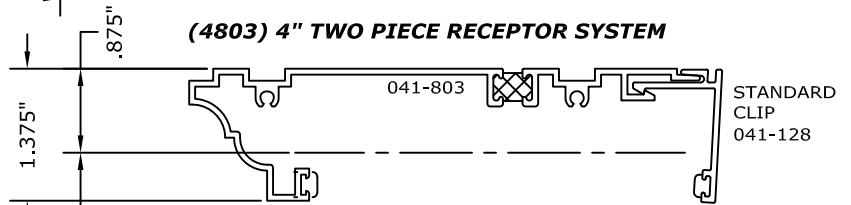


****NOTE: DIE 12-074 TO BE USED @ HEAD ONLY & DIE 12-073 @ JAMBS ****

(4249) 2 1/2" TWO PIECE RECEPTOR SYSTEM



(4803) 4" TWO PIECE RECEPTOR SYSTEM



****NOTE: MUST USE SUBSILL 041-804 IF RECEPTOR SET [4803] IS USED @ HEAD & JAMBS OR CONTACT ENGINEERING TO SEE IF OTHER AVAILABLE 4" SUBSILLS WILL WORK WITH RECEPTOR SET [4803] ****