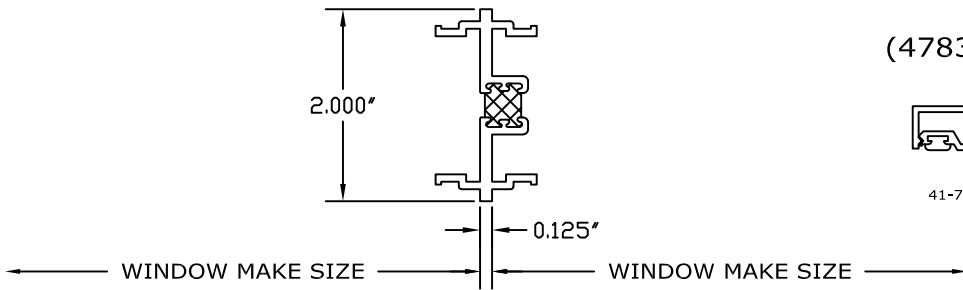
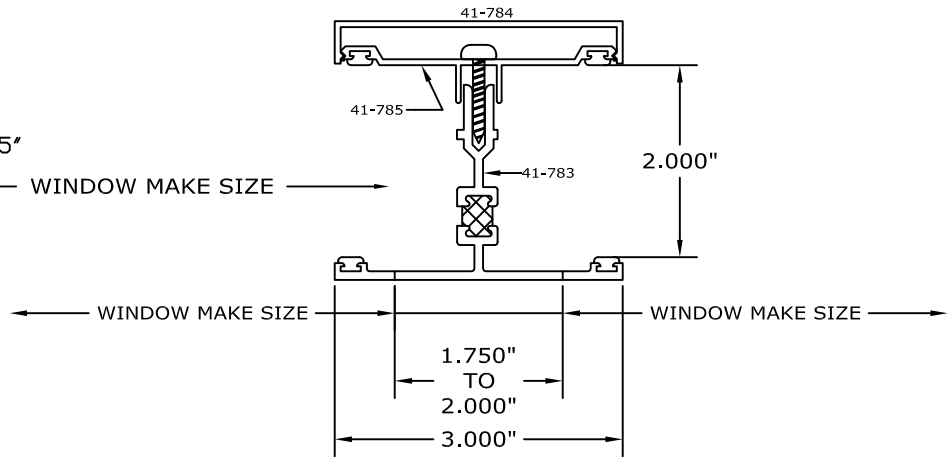


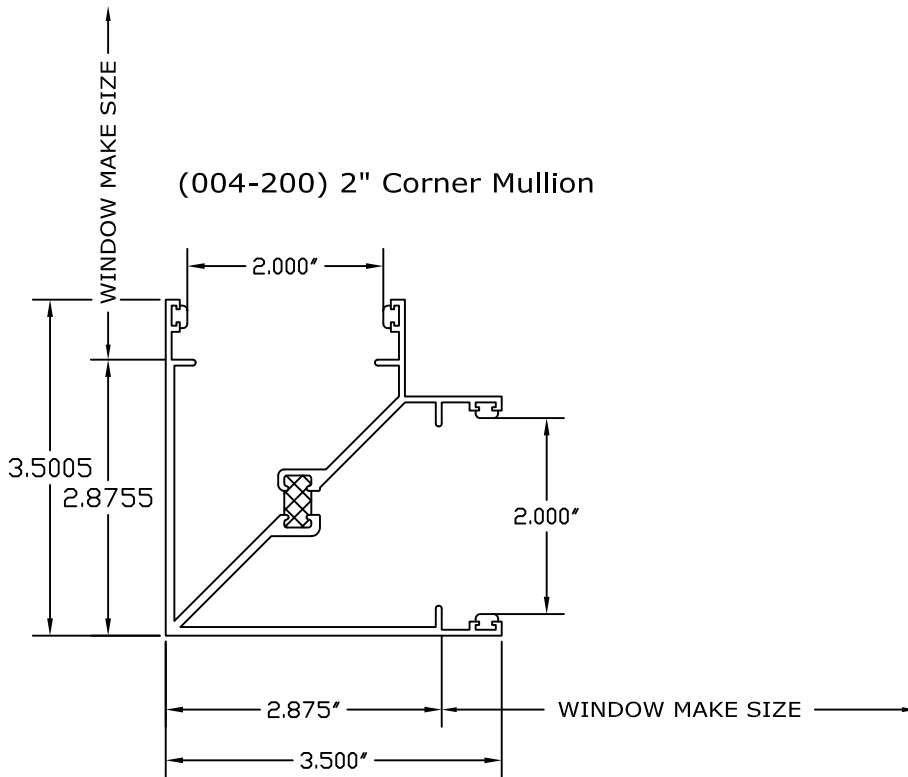
(004-213) 2" Zero Mullion



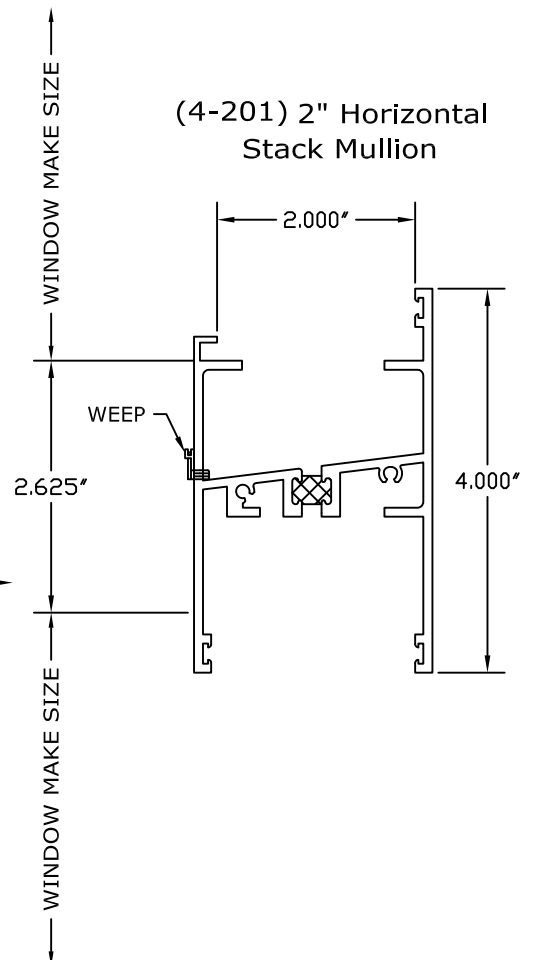
(4783) 3-PC MULLION

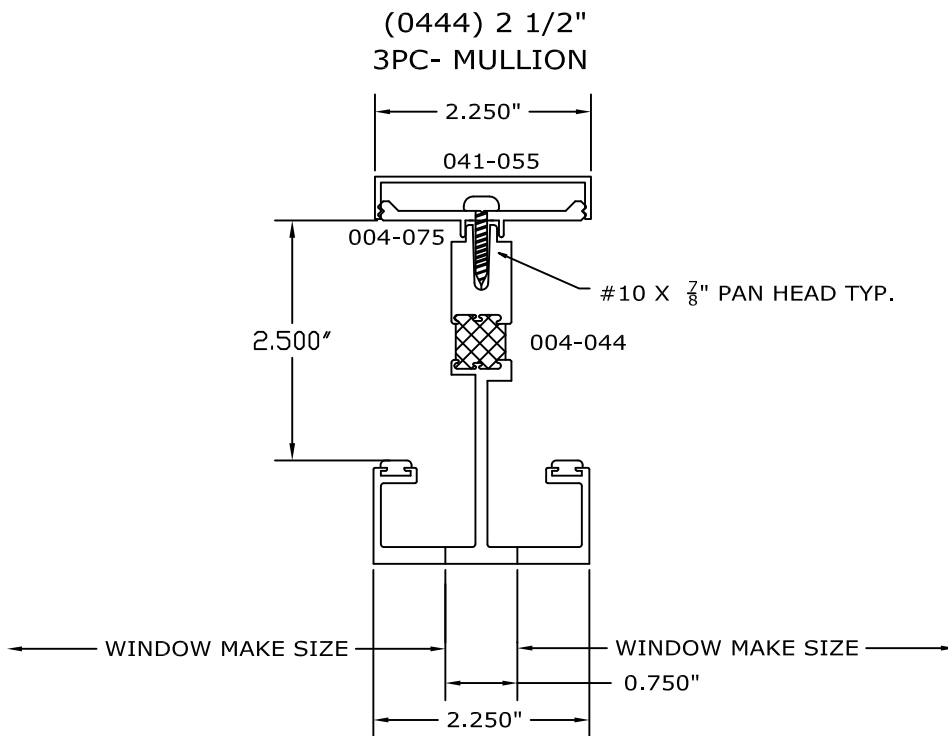
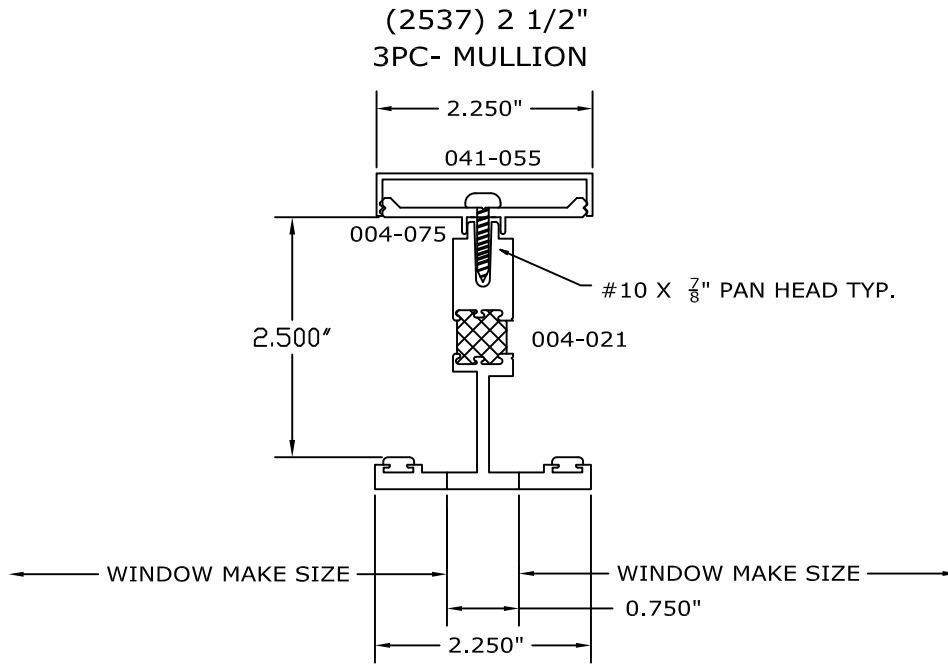


(004-200) 2" Corner Mullion

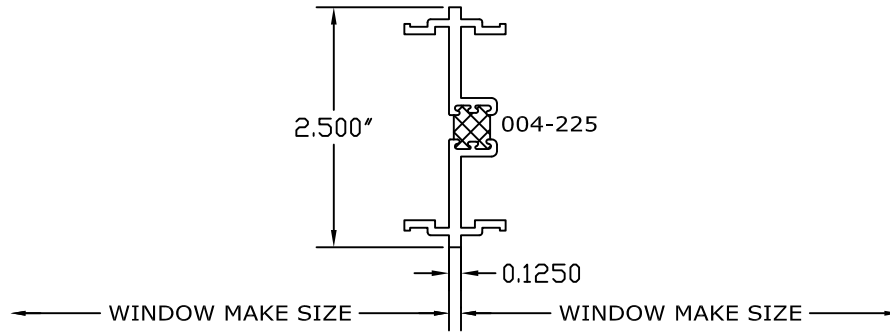


(4-201) 2" Horizontal Stack Mullion

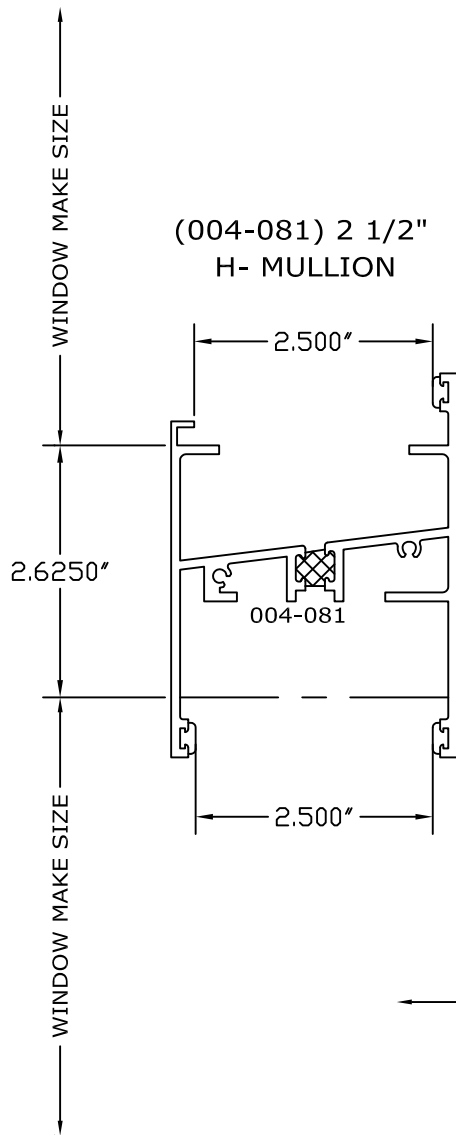




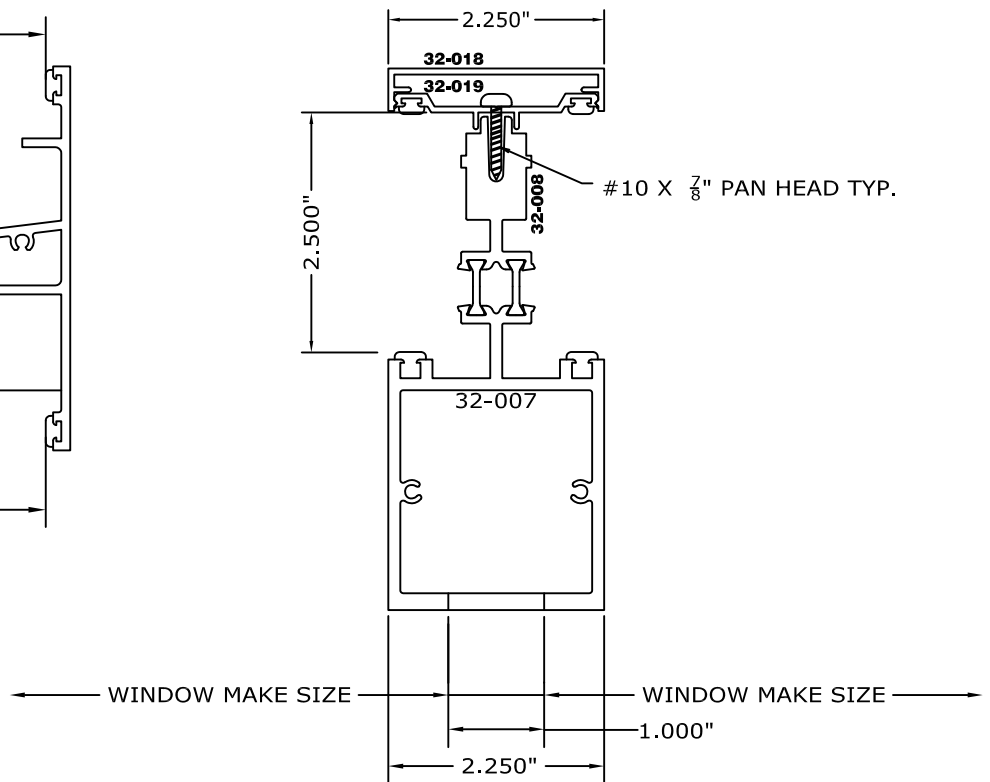
(004-225) 2 1/2"
 ZERO- MULLION

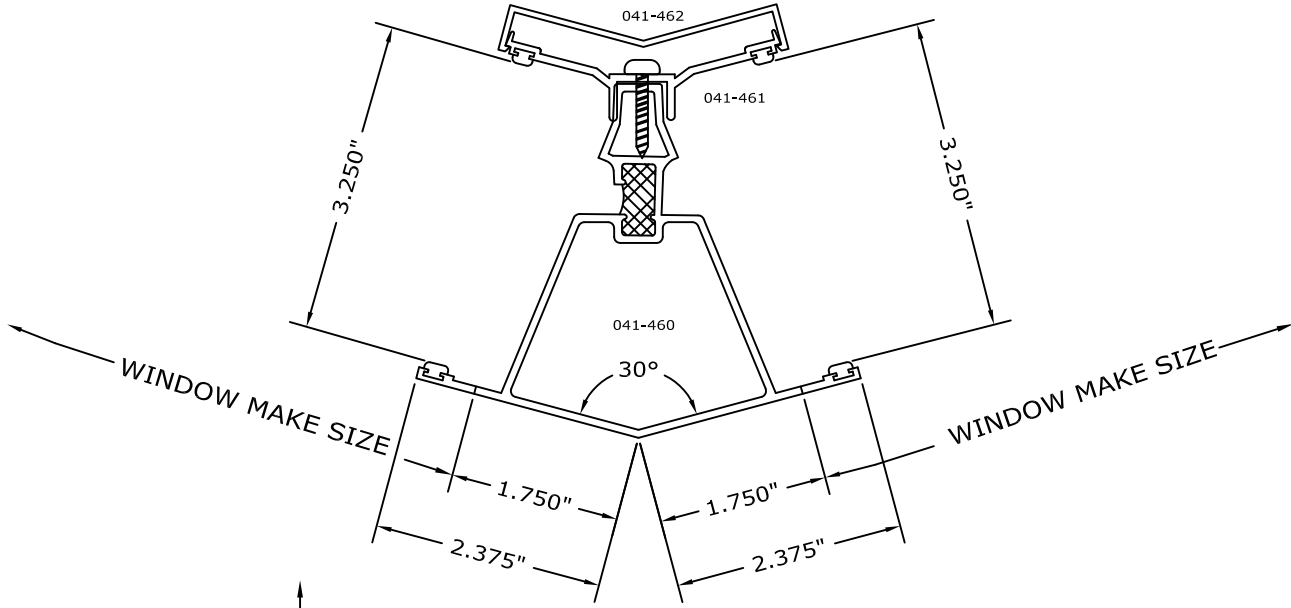


(004-081) 2 1/2"
 H- MULLION

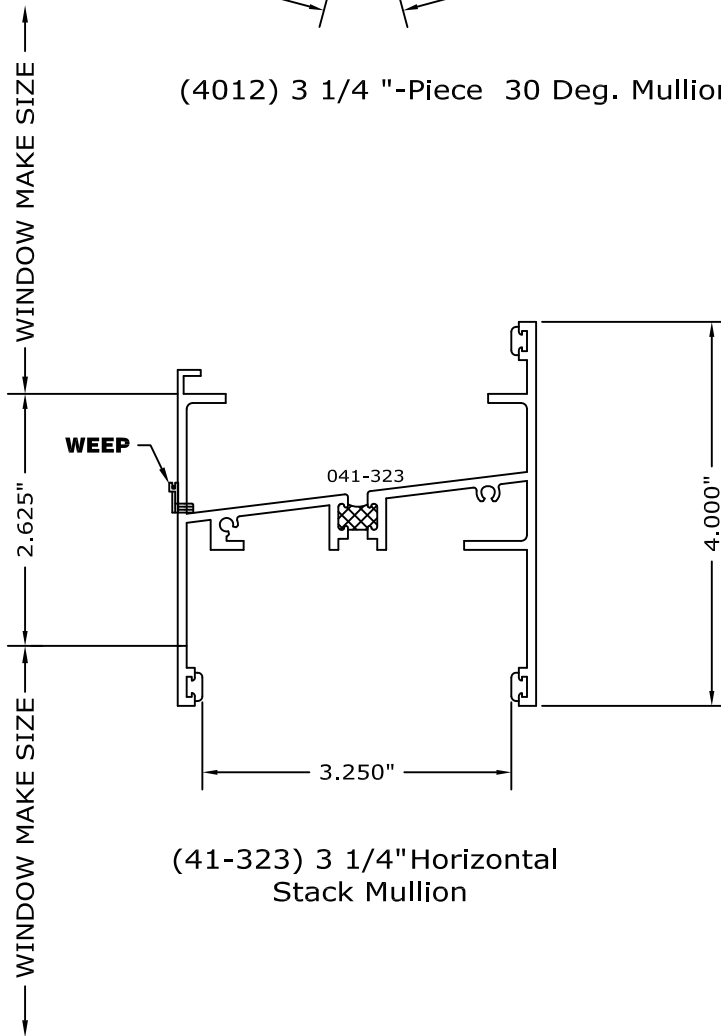


(0418) 2 1/2"
 TUBE- MULLION

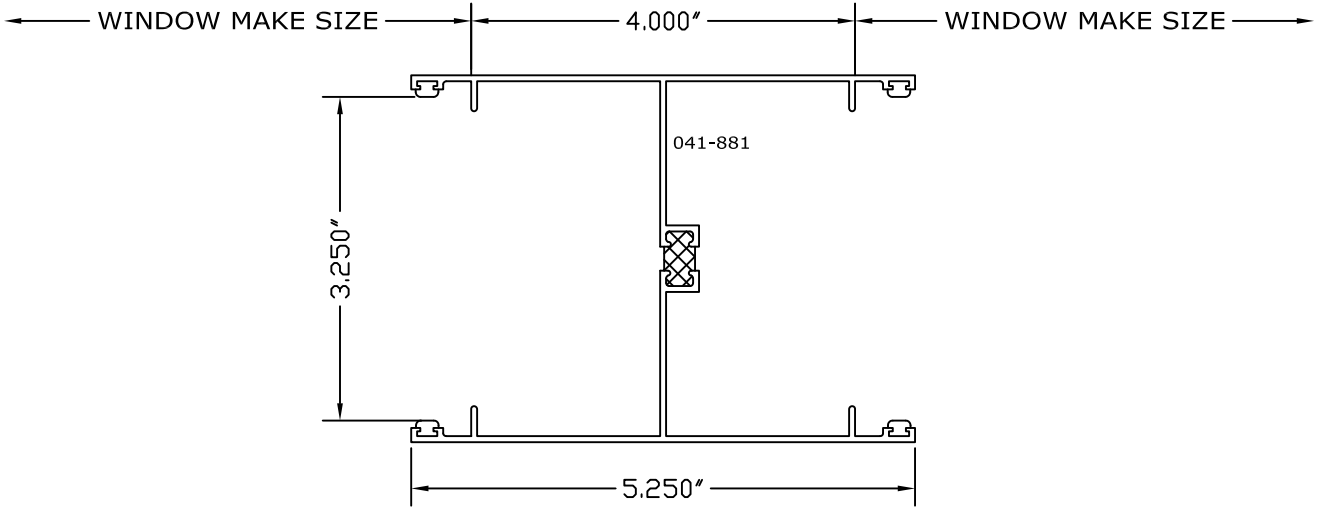




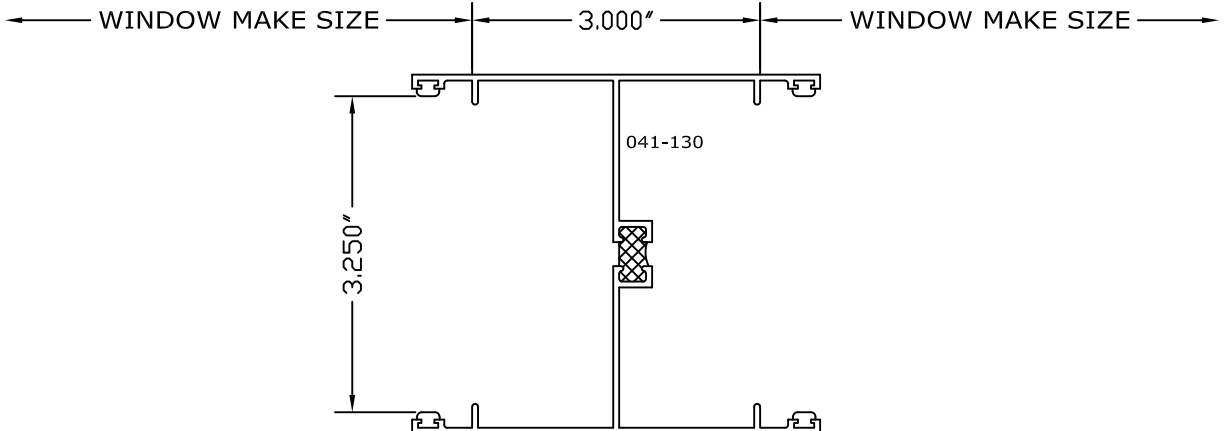
(4012) 3 1/4 "-Piece 30 Deg. Mullion



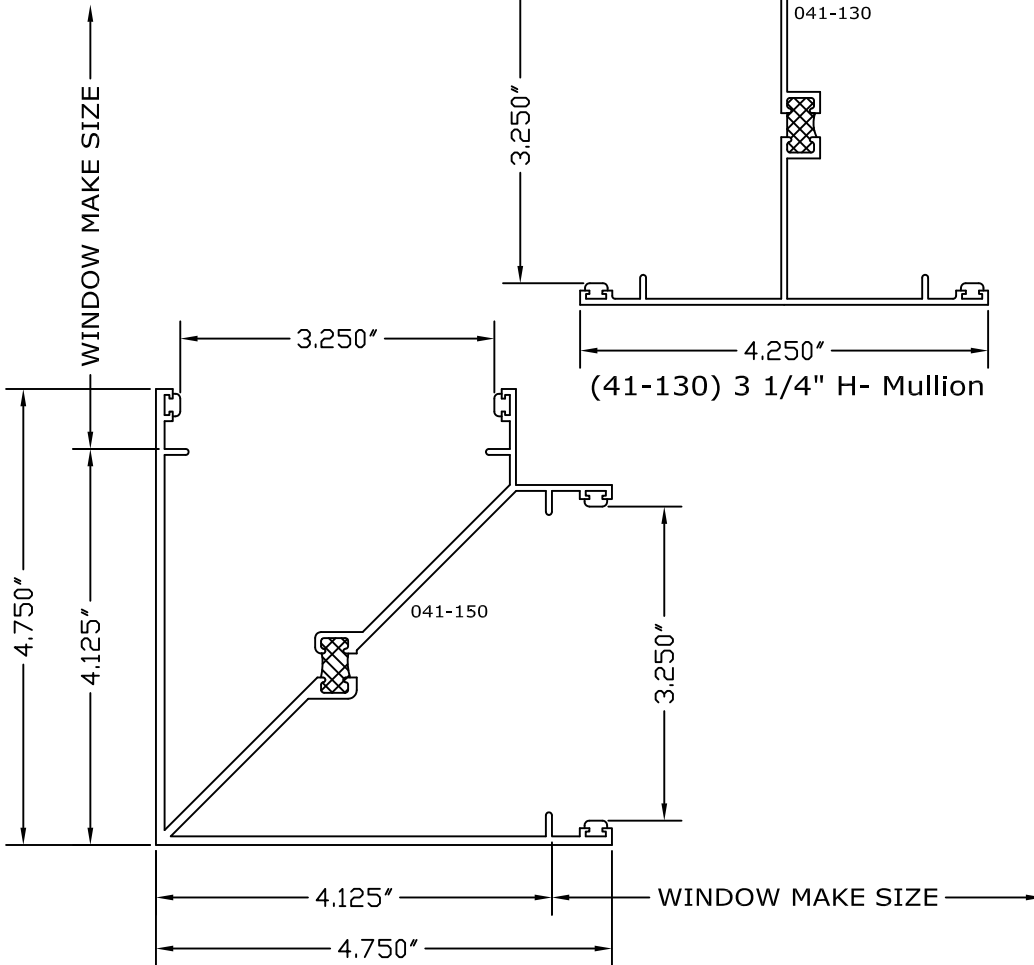
(41-323) 3 1/4" Horizontal Stack Mullion



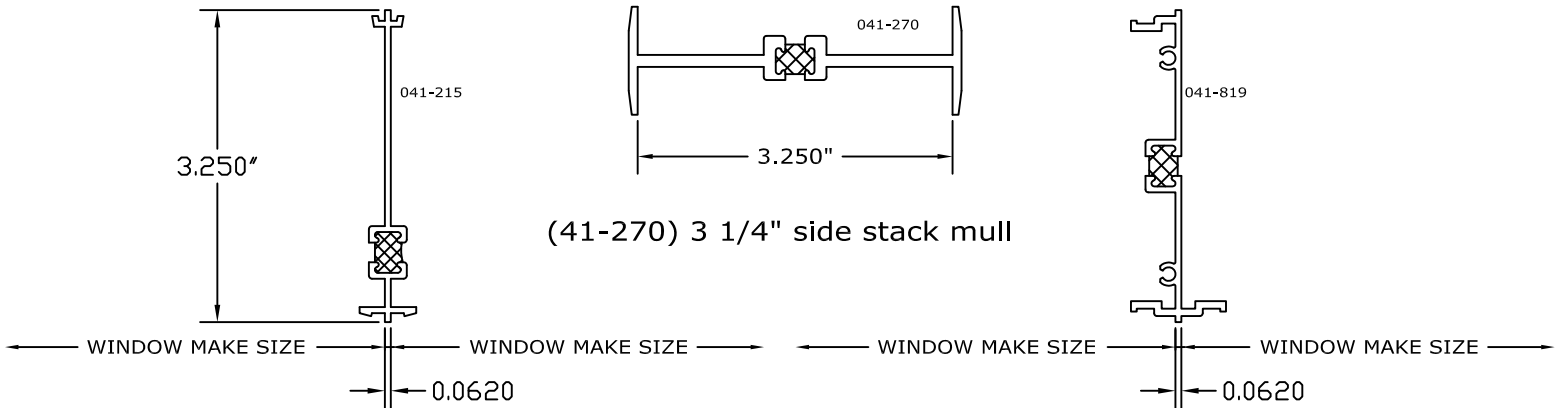
(41-881) 3 1/4" H- Mullion



(41-130) 3 1/4" H- Mullion

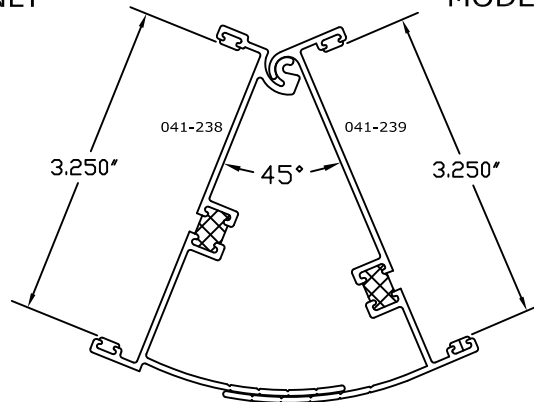


(41-150) 3 1/4" 90 Deg. Corner Mullion



(41-215) 3 1/4" Zero Mullion
 *4000 3 1/4" ONLY

(41-819) 3 1/4" Zero Mullion
 *MODELS 9530,9160, & 4160 ONLY



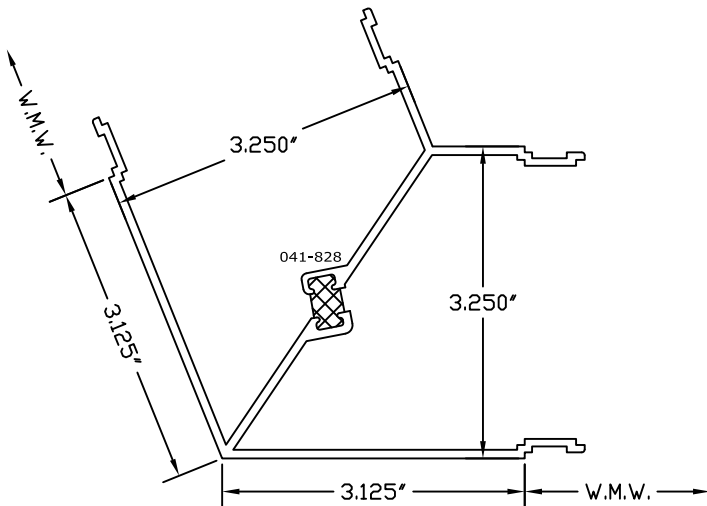
(41-238/41-239) 3 1/4"

Adjustable Mullion

Maximum - 60°

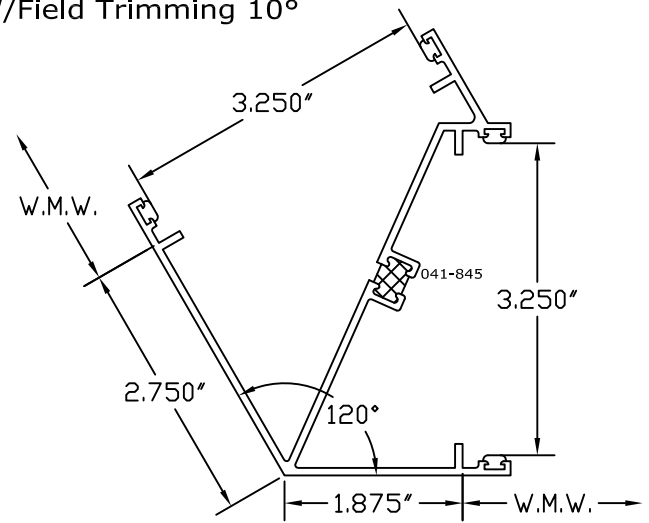
Minimum - No Field Trimming 30°

W/Field Trimming 10°

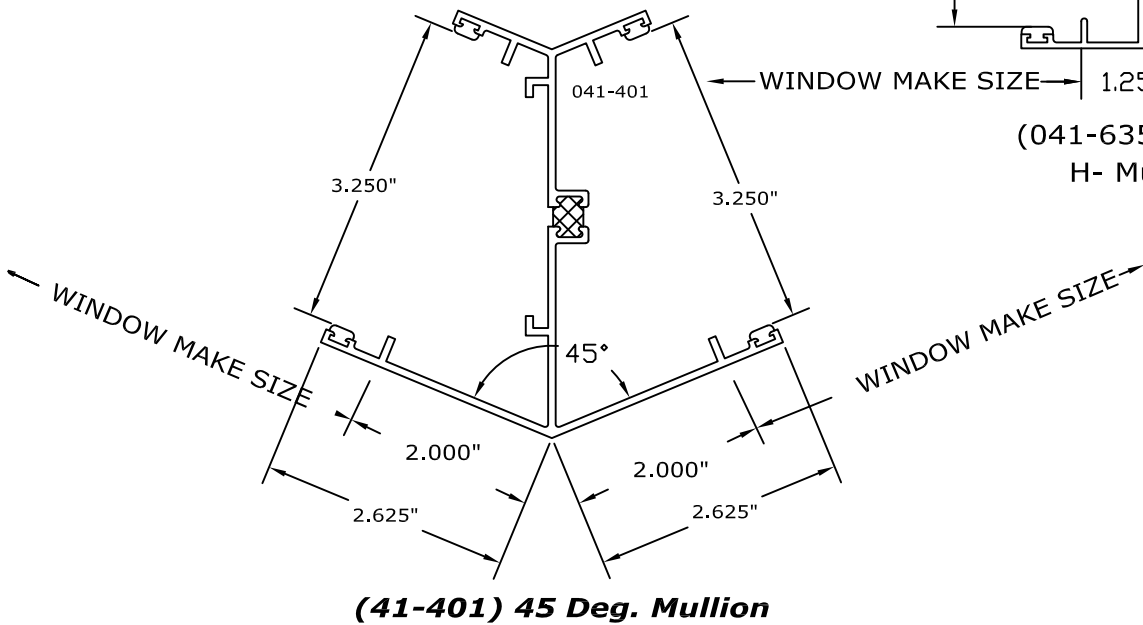
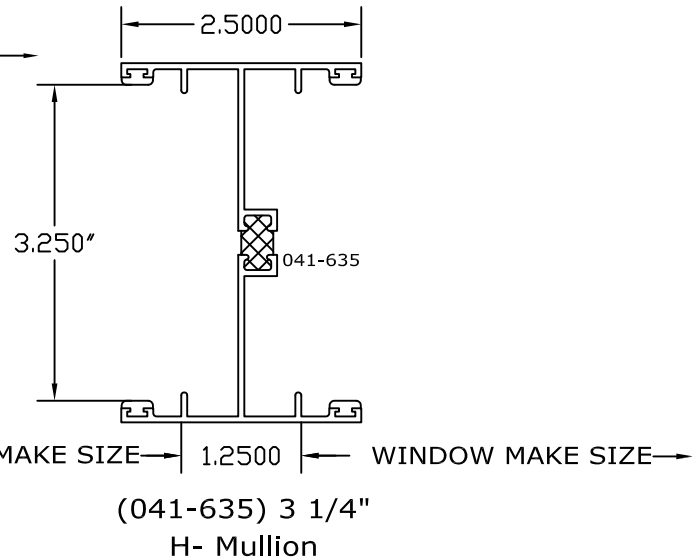
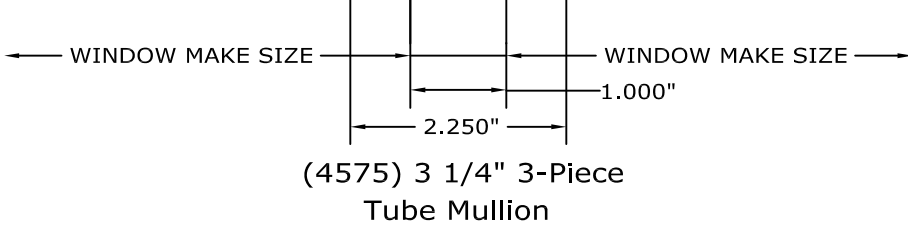
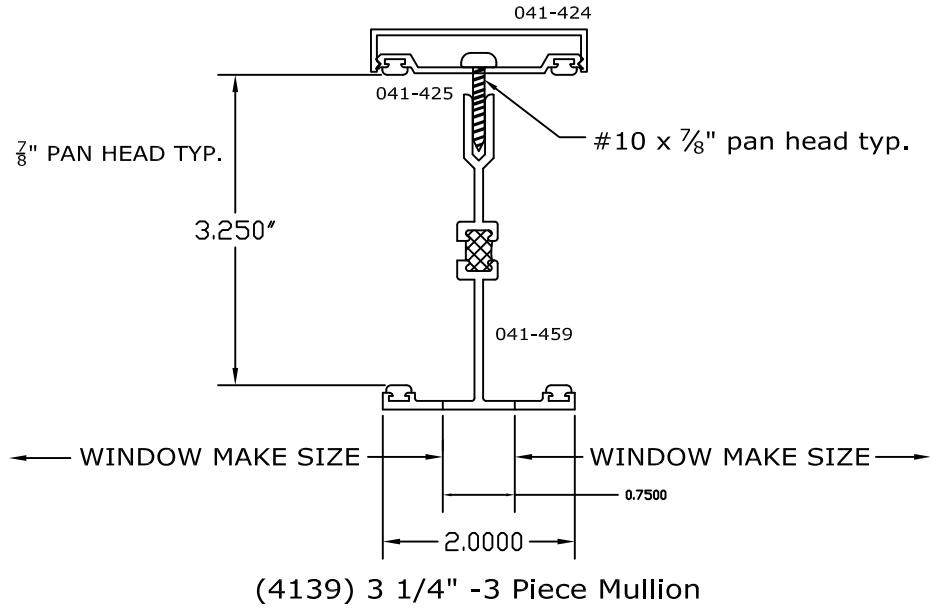
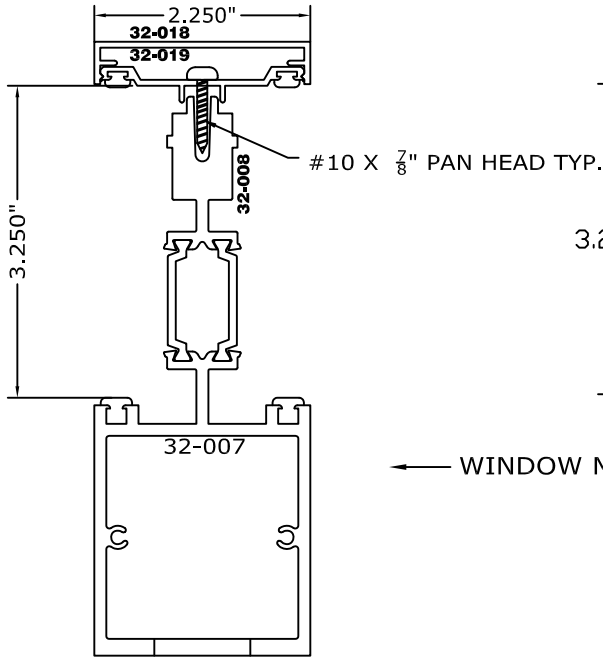


(41-828) 3 1/4"-112° Corner Mull

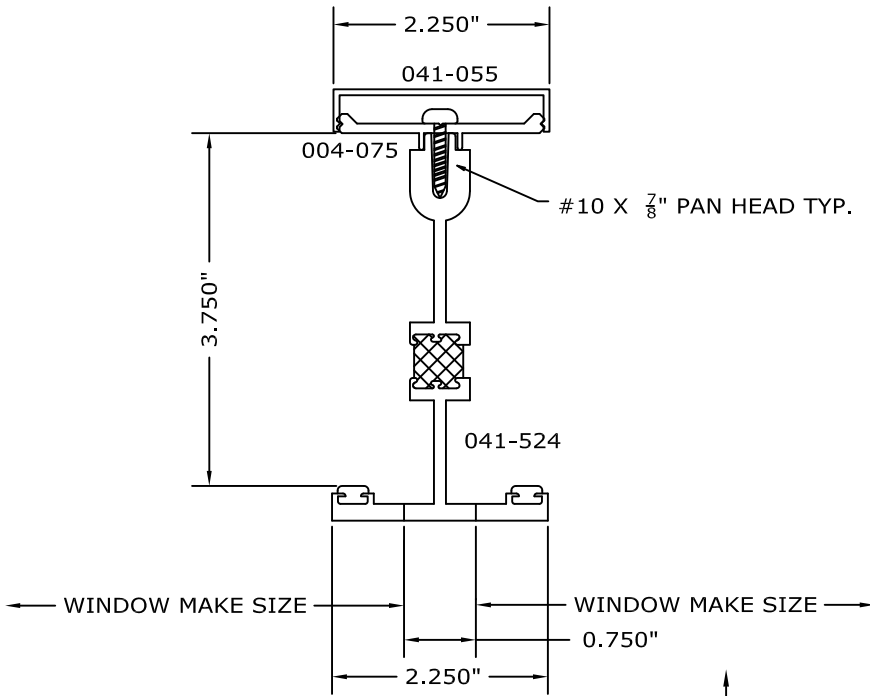
*MODELS 9530,9160, & 4160 ONLY



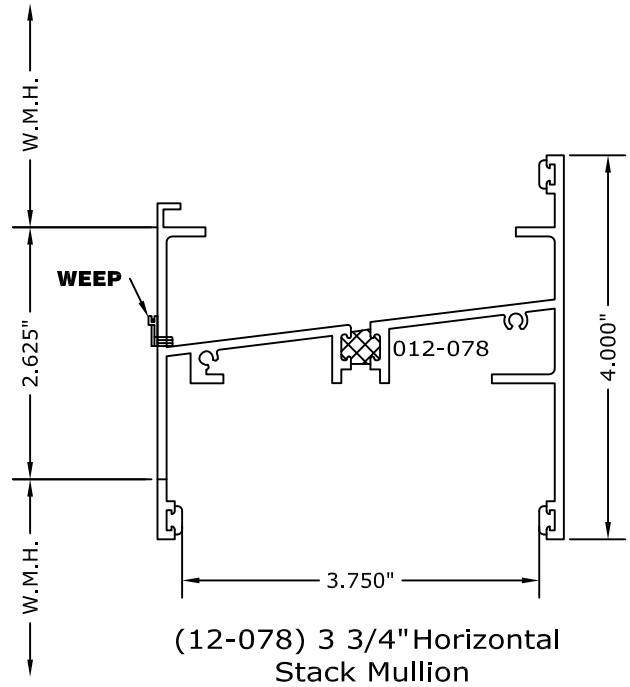
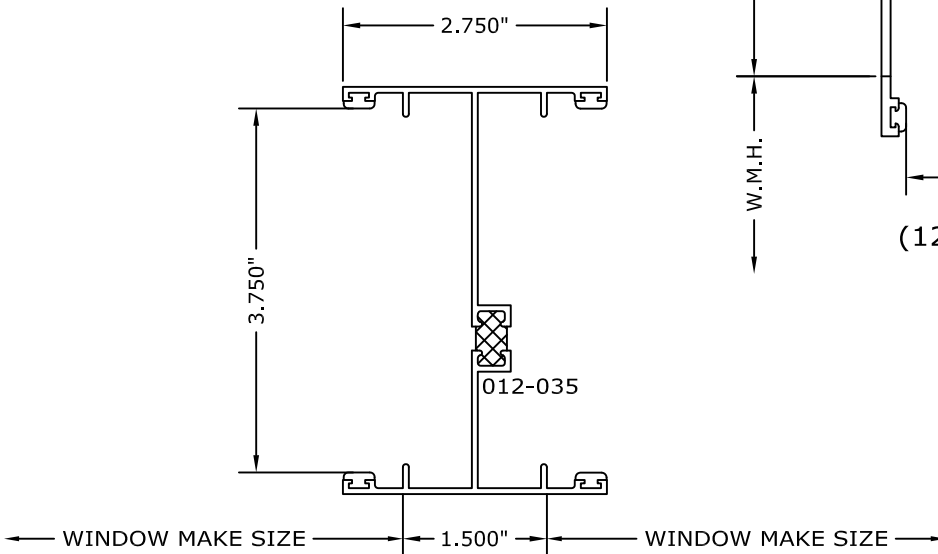
(41-845) 3 1/4"-120° Corner Mull



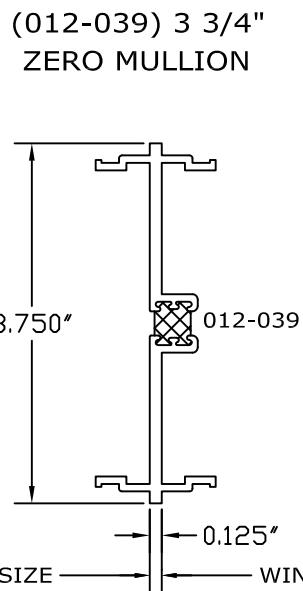
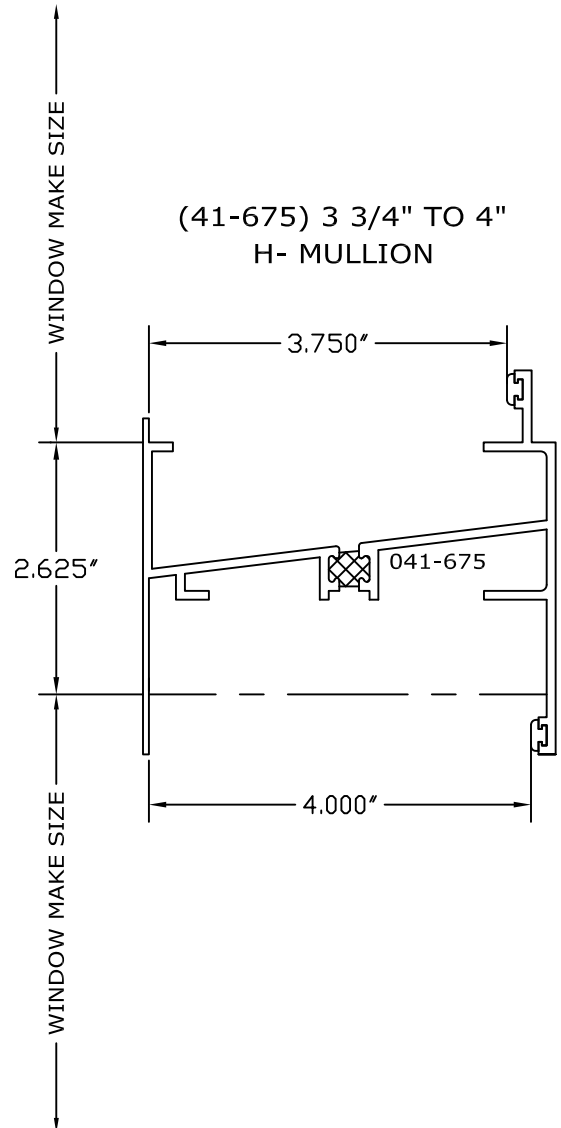
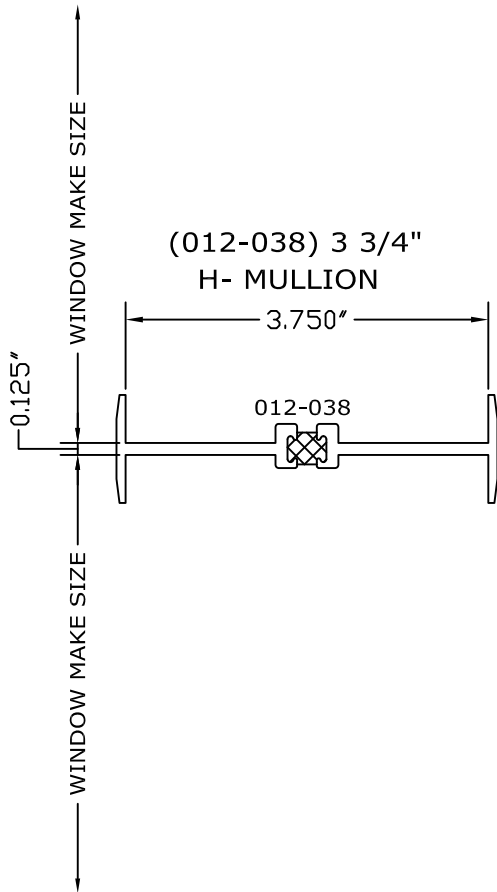
(1237) 3 3/4" 3-PC MULL

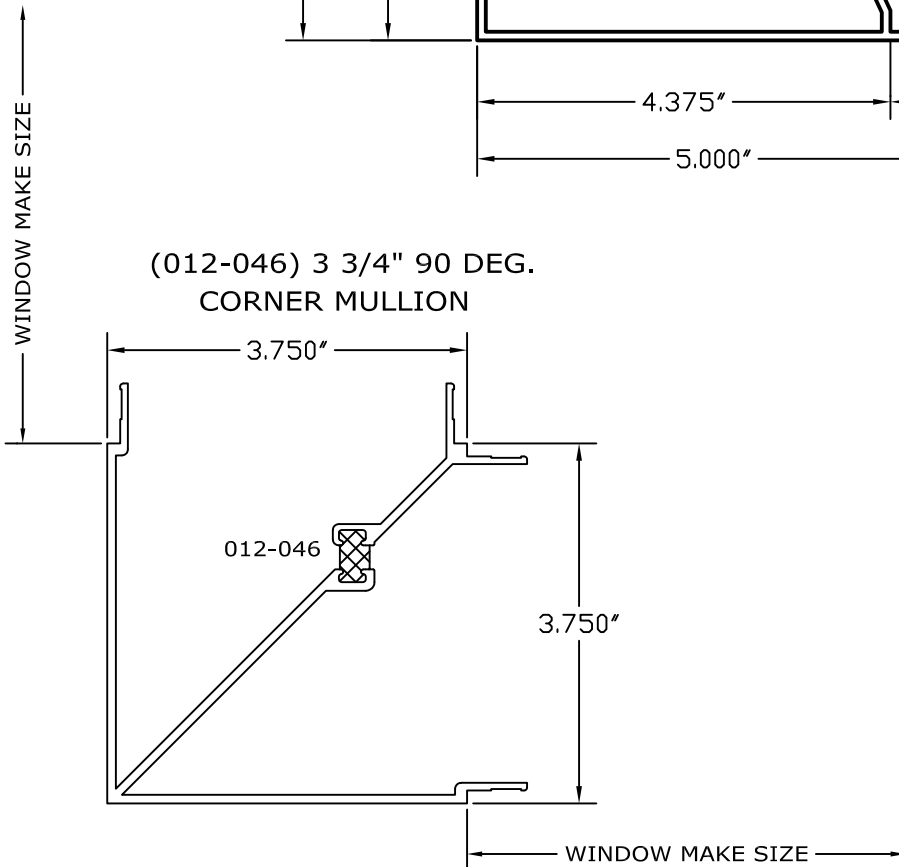
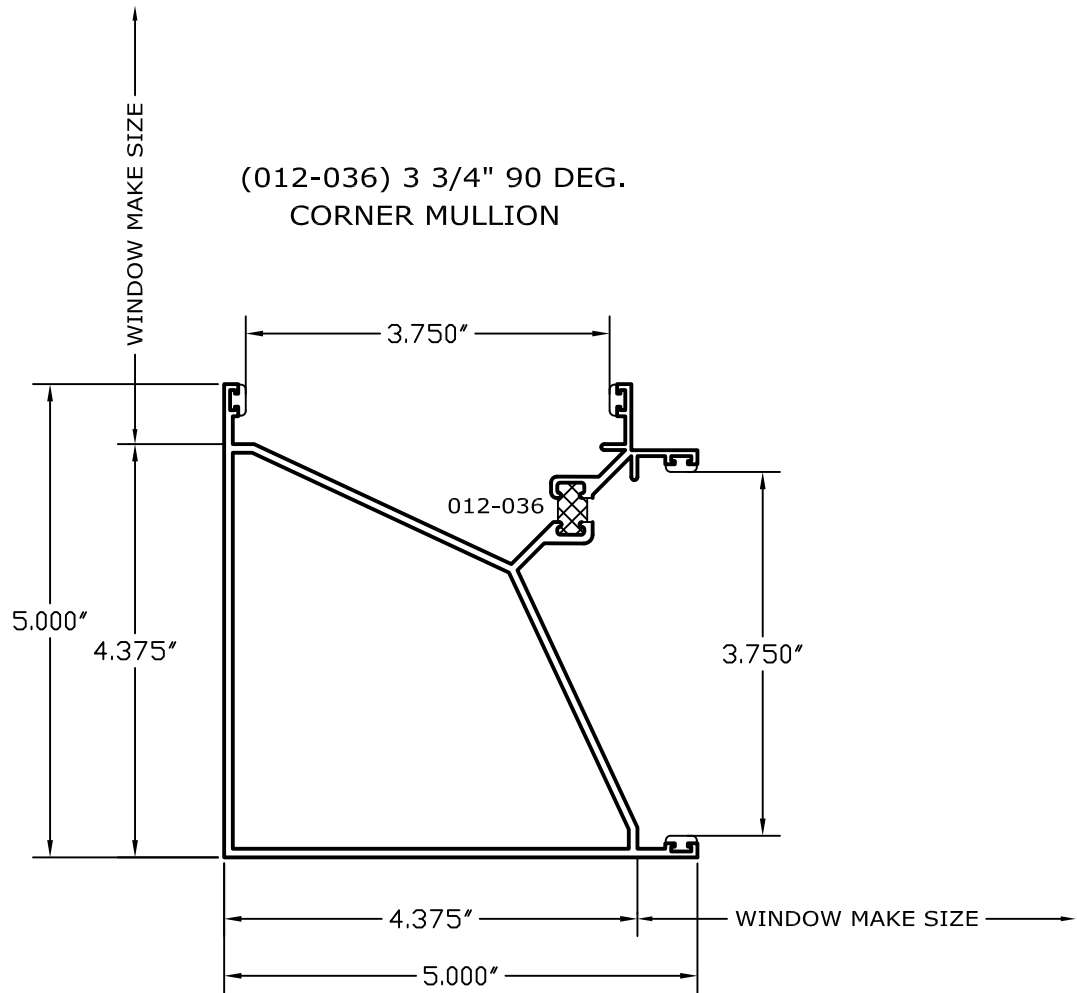


(012-035) 3 3/4" VERTICAL H-MULLION

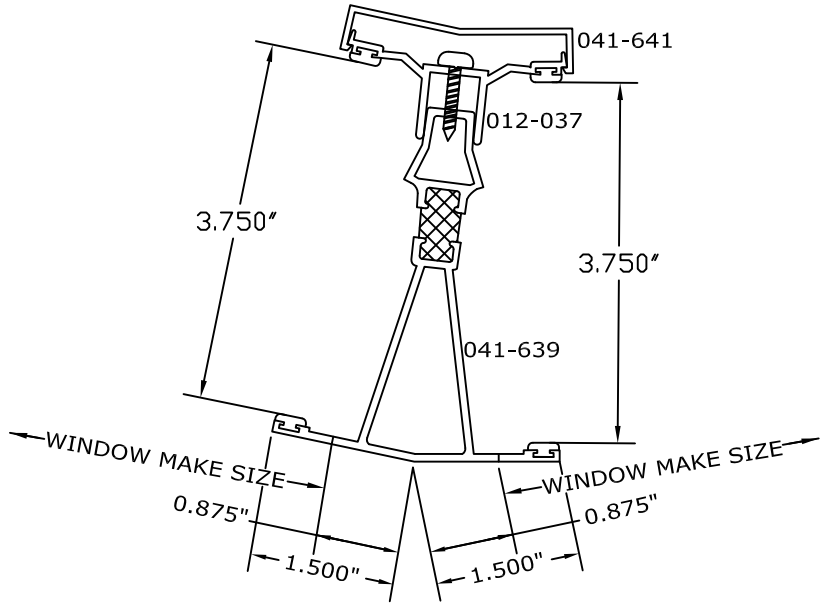


(12-078) 3 3/4" Horizontal Stack Mullion

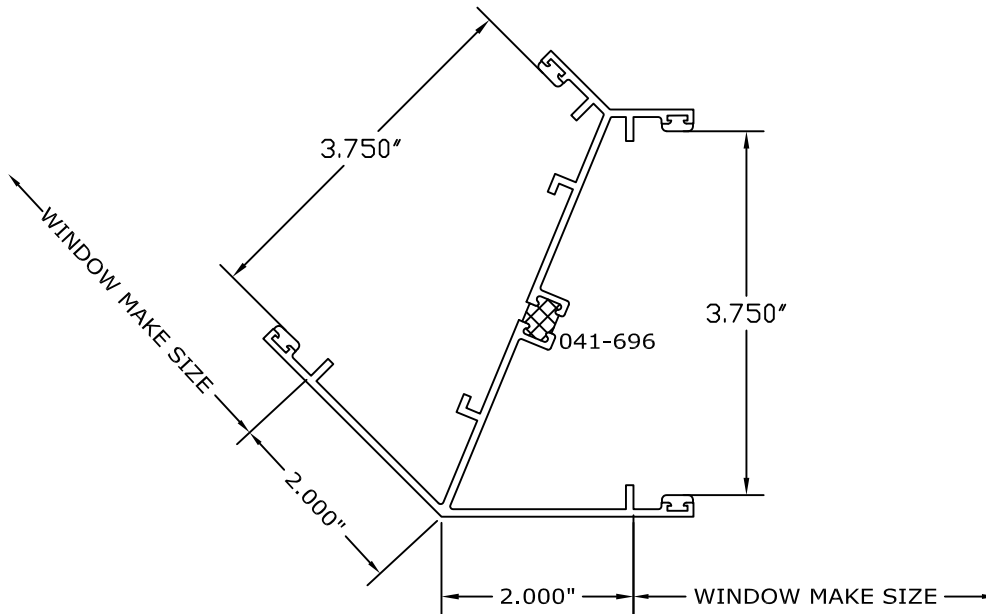


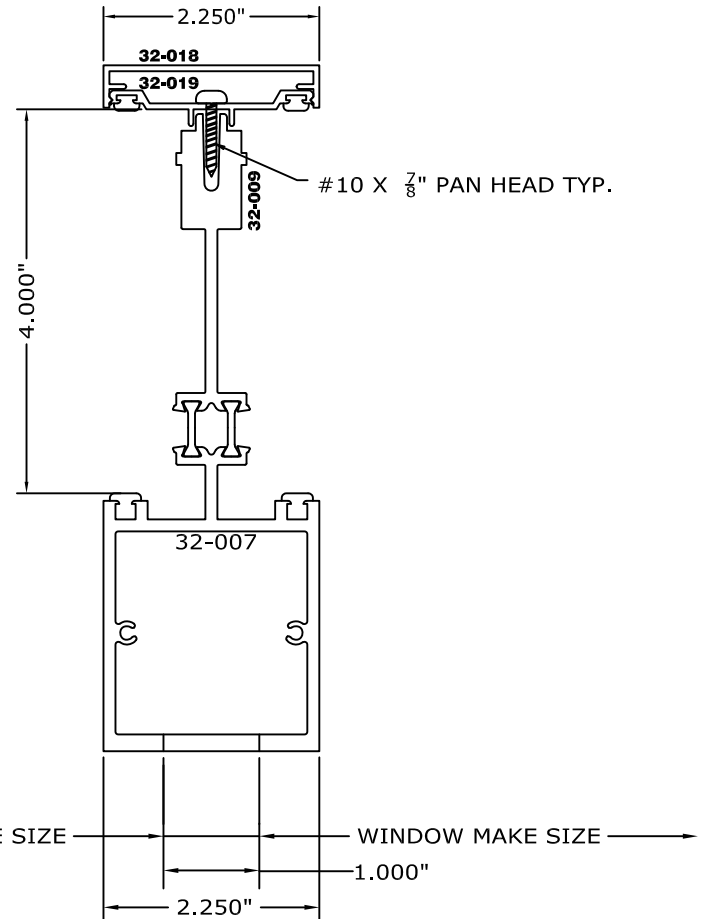
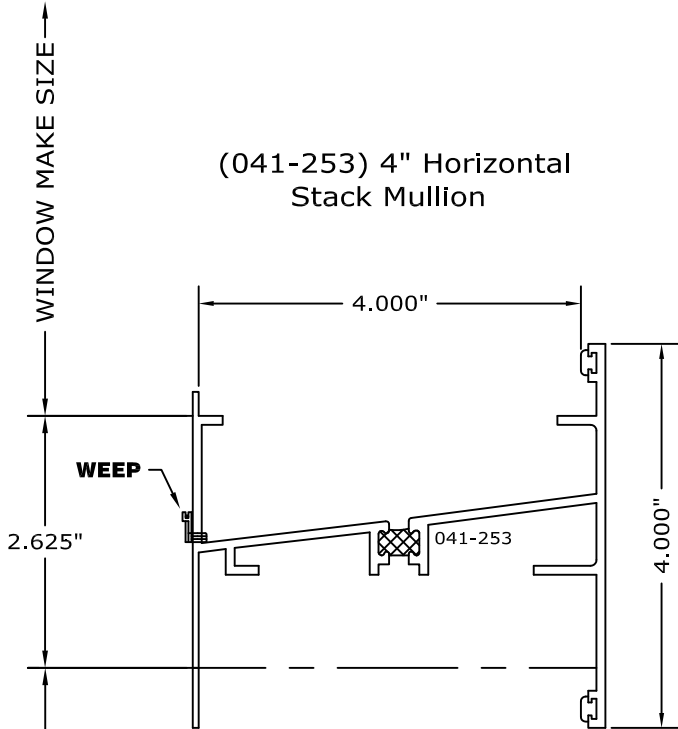


(4697) 3 3/4" 168 DEG.
 3- PIECE MULLION

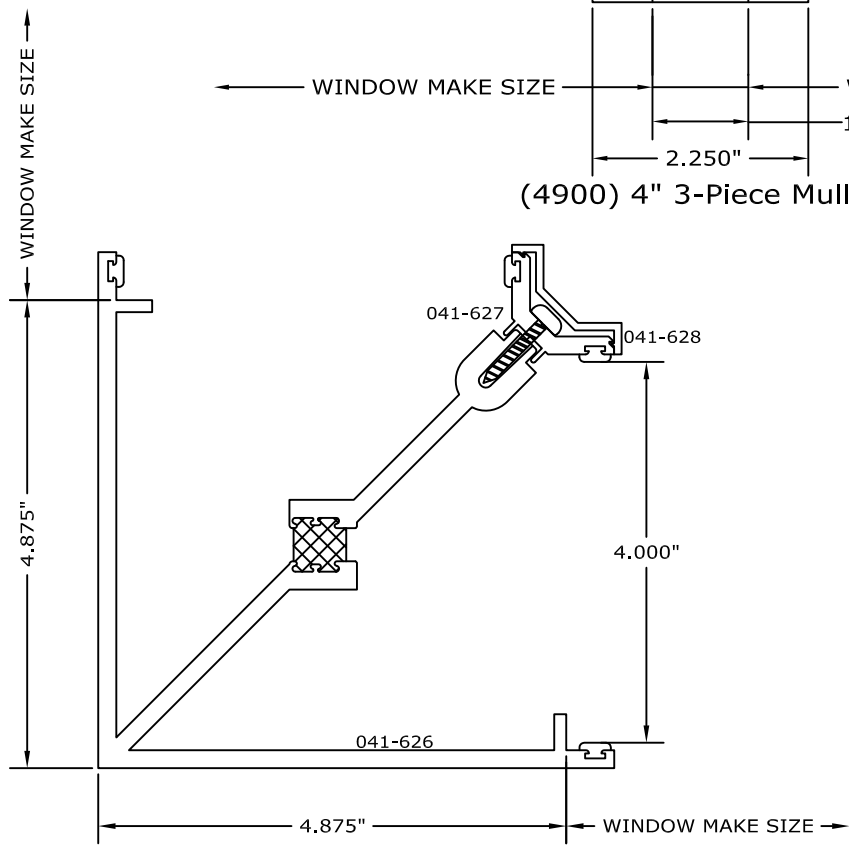


(041-696) 3 3/4" 135 DEG.
 MULLION

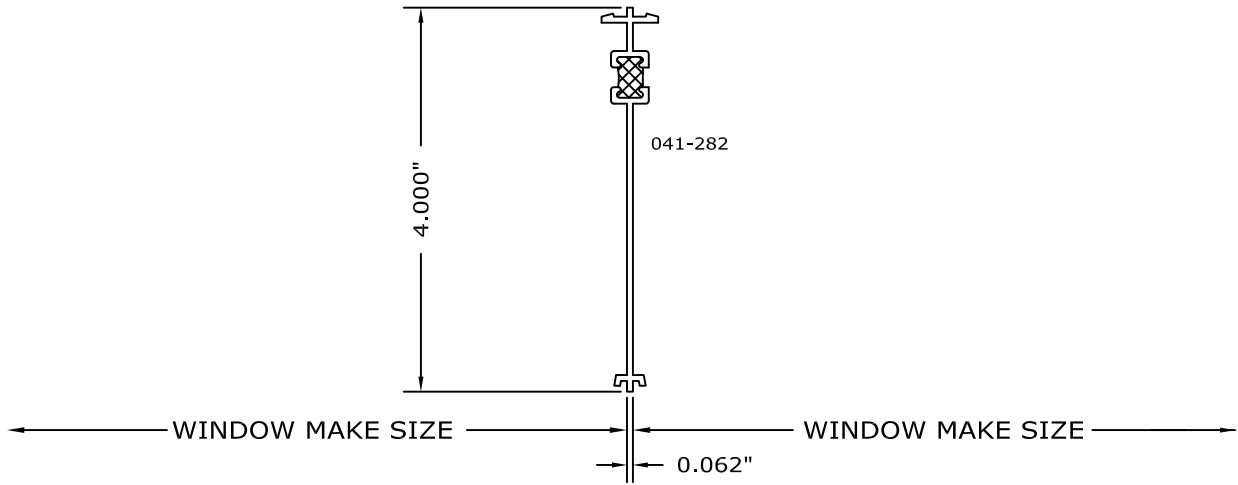




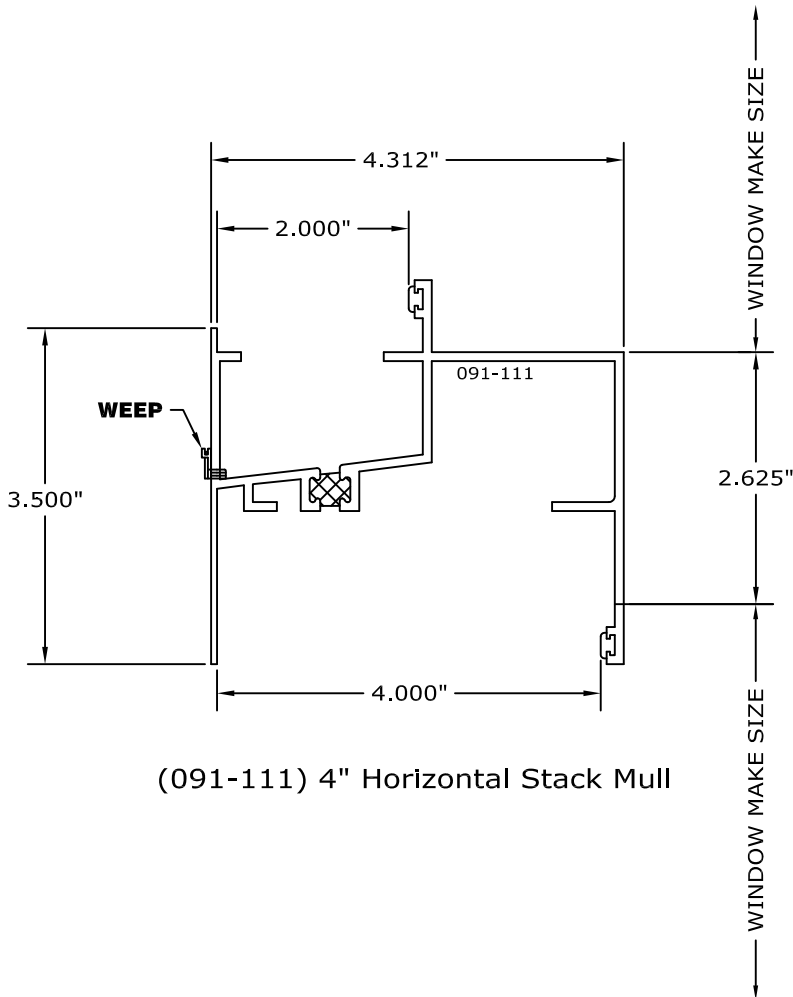
(4900) 4" 3-Piece Mullion



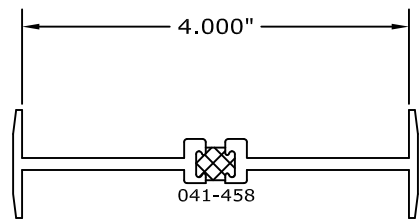
(4626) 4" 3-Piece 90
 Deg. Corner Mullion



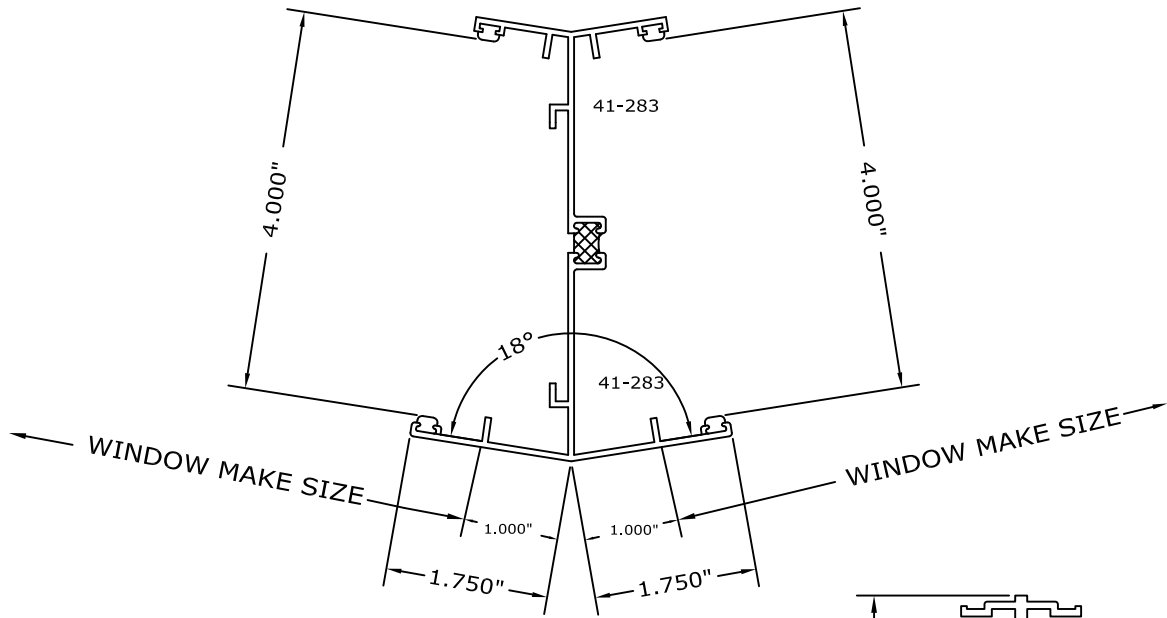
(41-282) 4" Zero Mullion
 *4000-4 SERIES ONLY



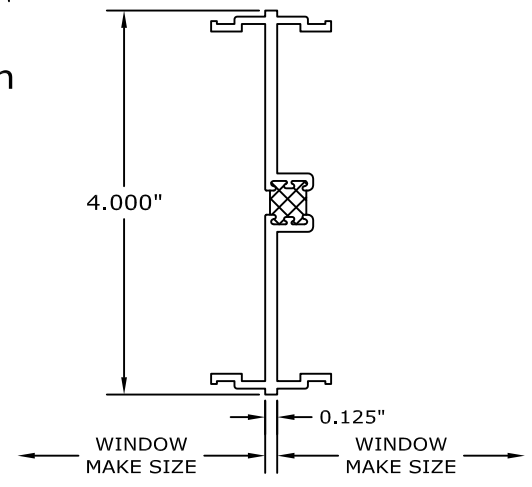
(091-111) 4" Horizontal Stack Mull



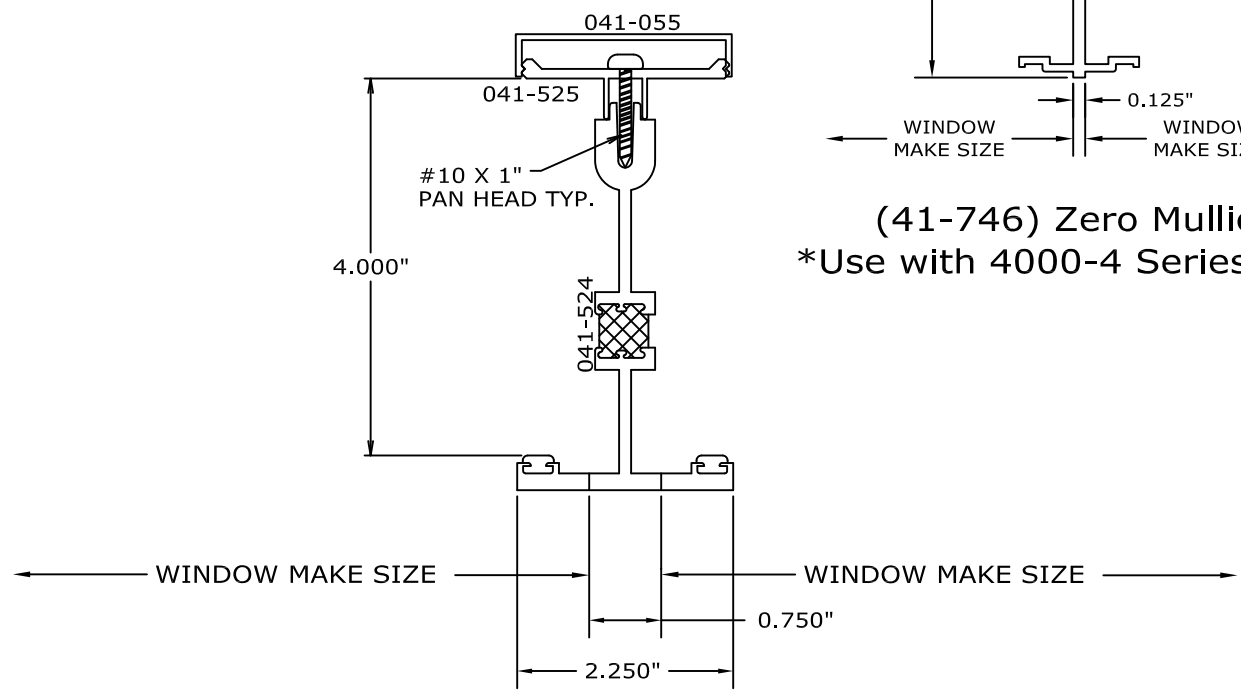
(041-458) 4" Side Stack Mull



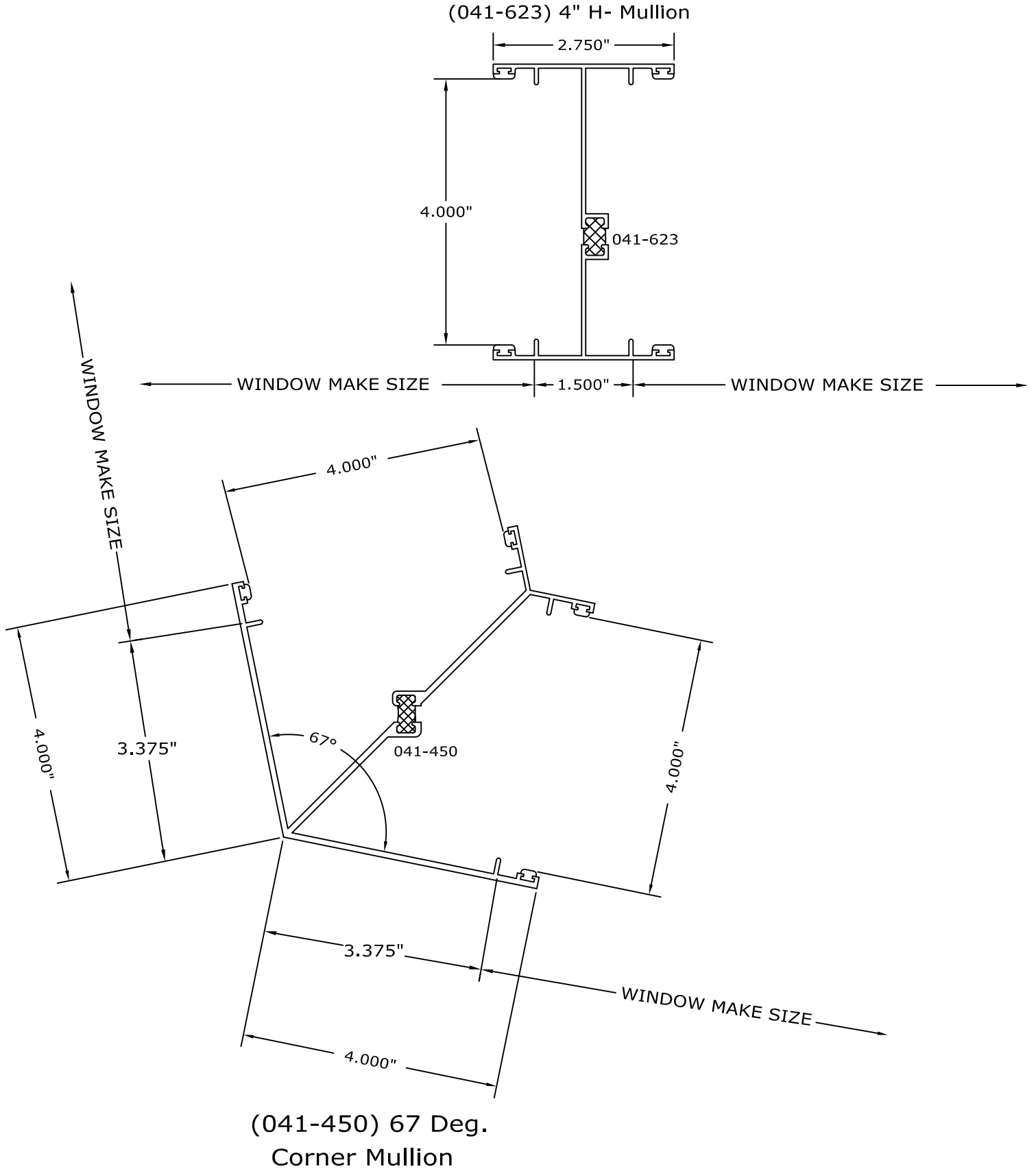
(4183) 18° Mullion

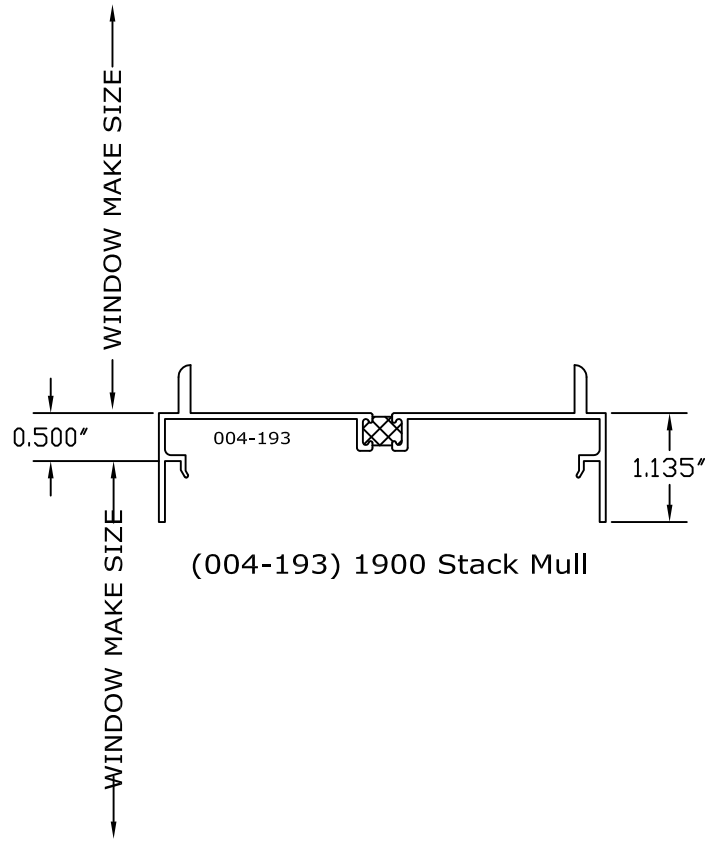


(41-746) Zero Mullion
 Use with 4000-4 Series Only

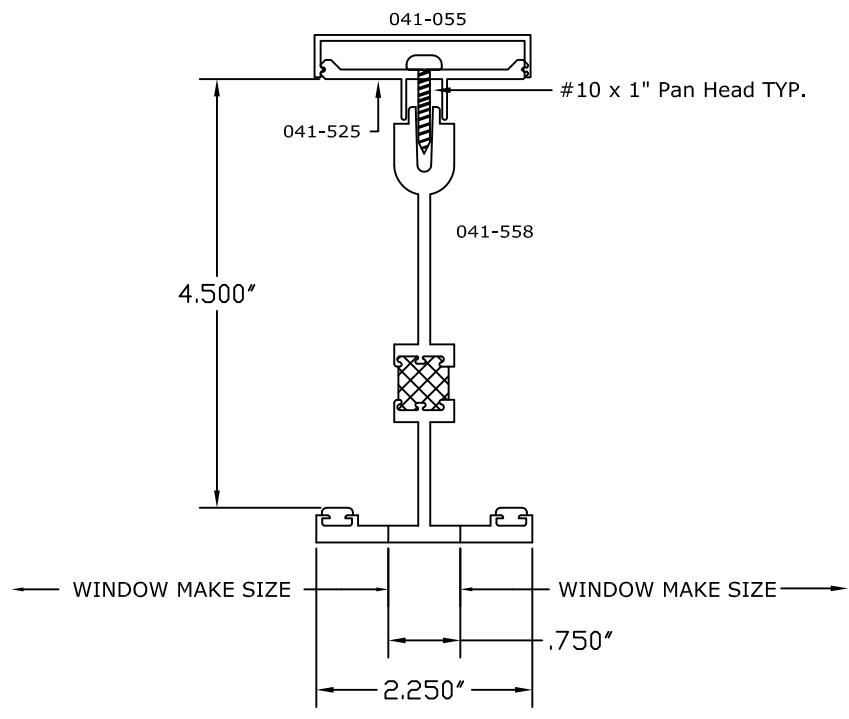


(9139) 4" 3-Piece Mullion

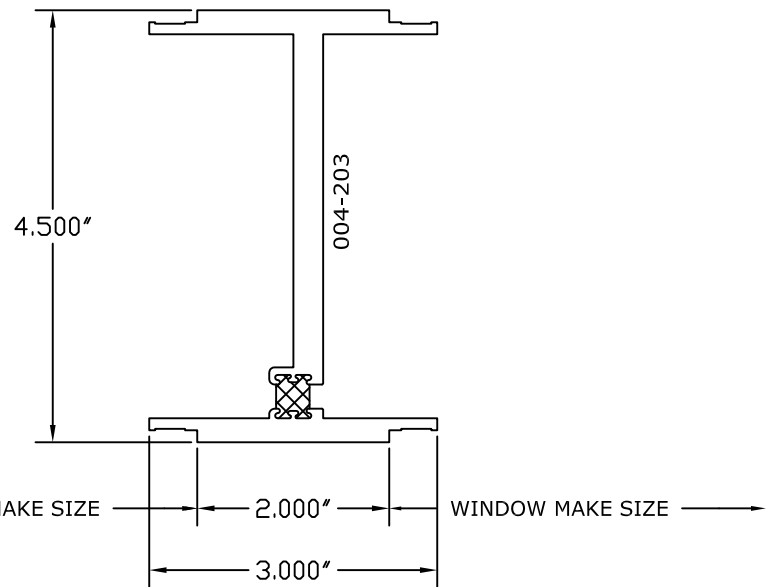




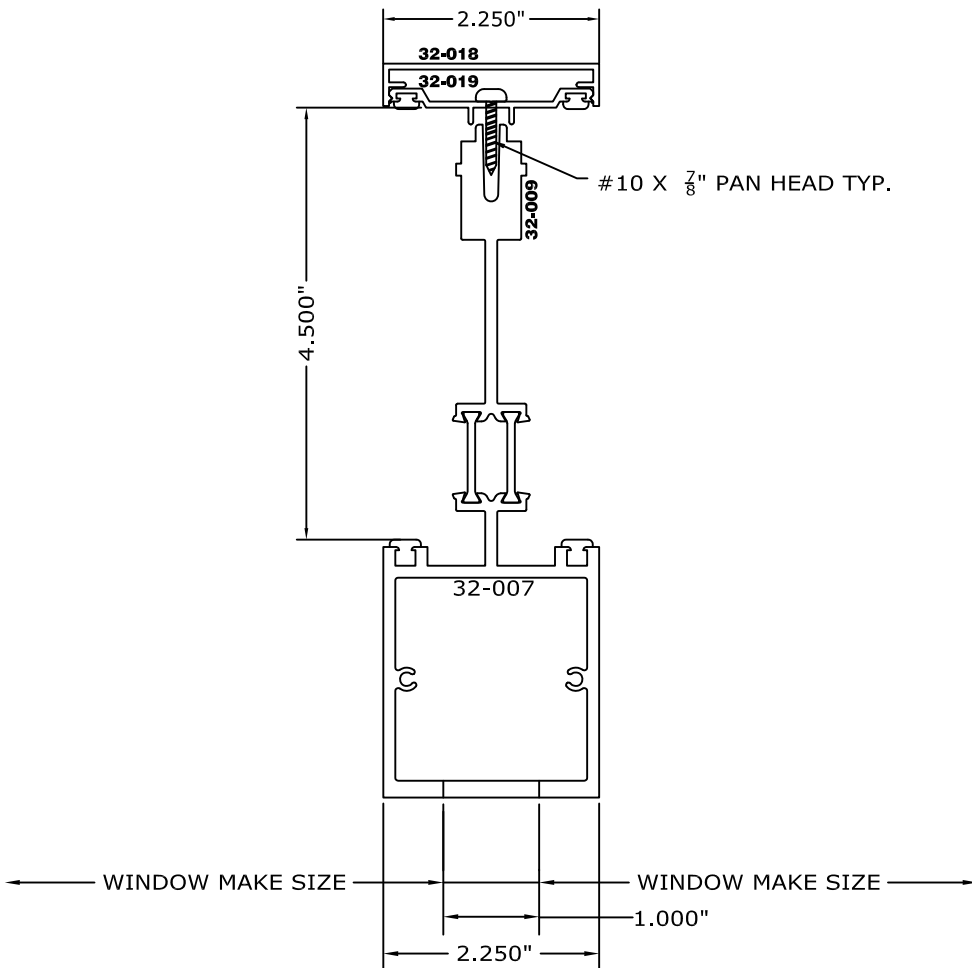
(1937) 3-pc Mullion



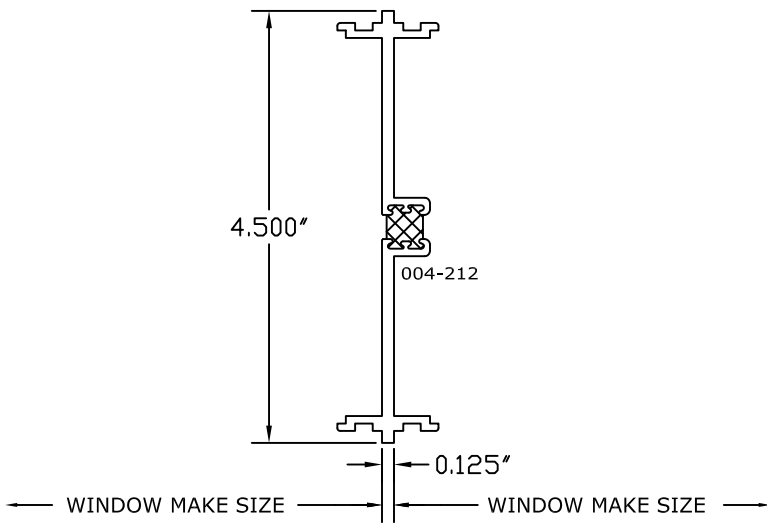
(004-203) 4-1/2" I-Mull



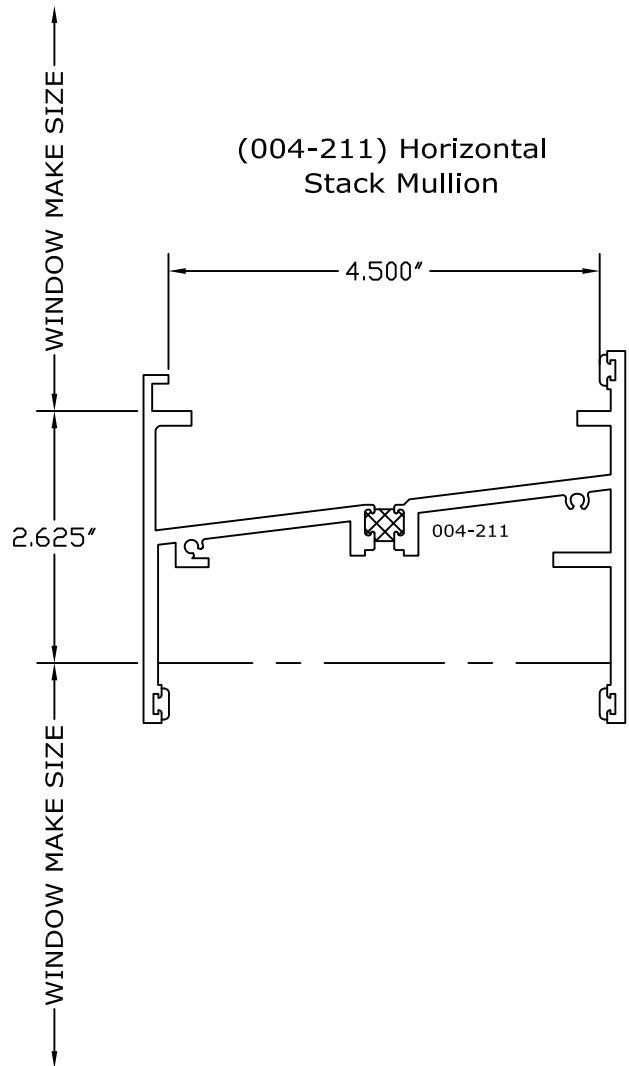
(4572) 4 1/2" 3-PC
 TUBE MULLION

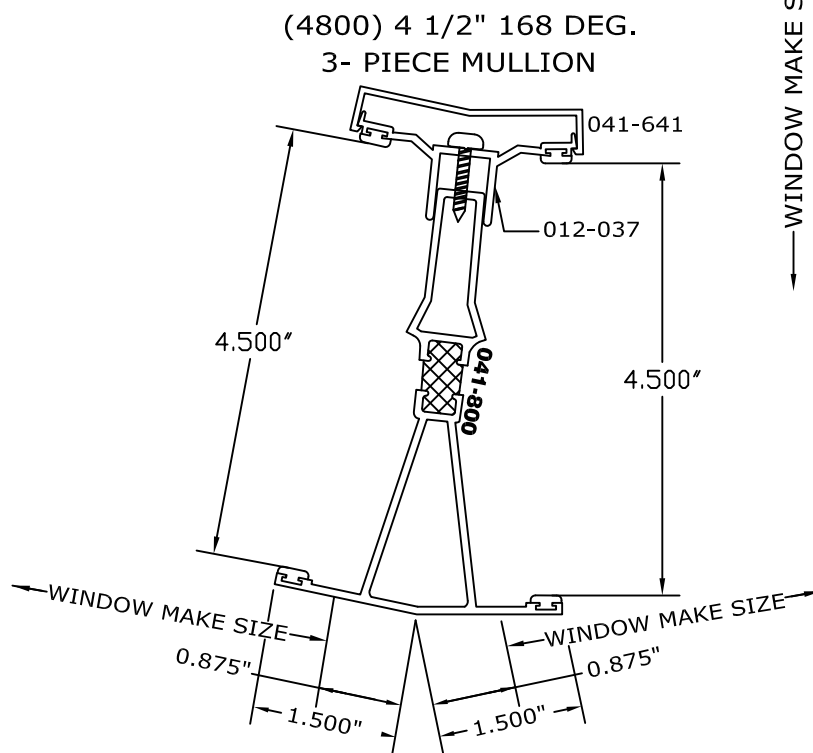
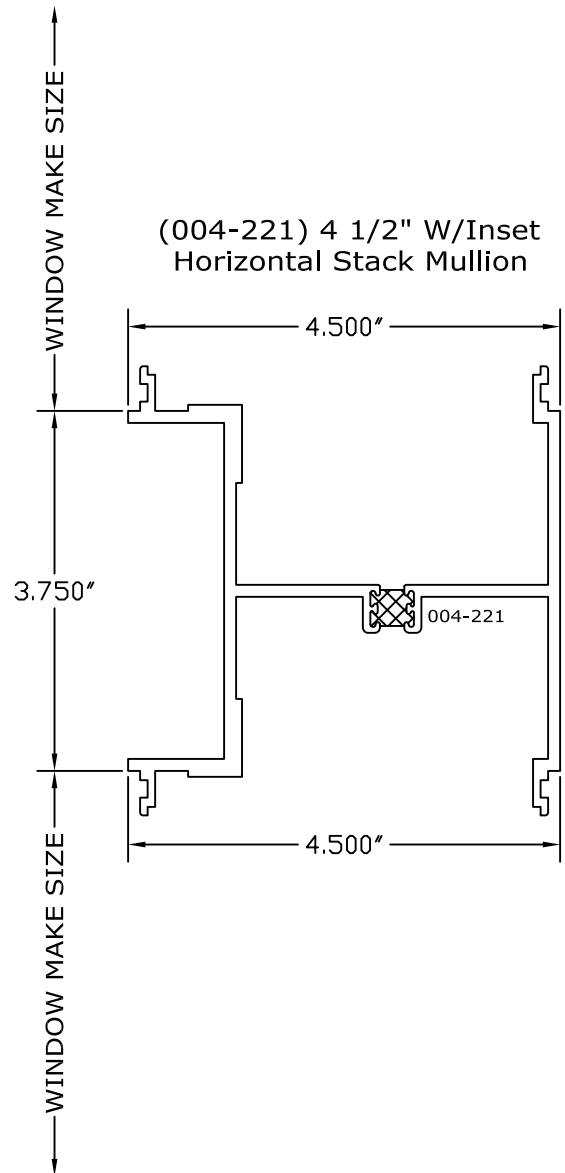
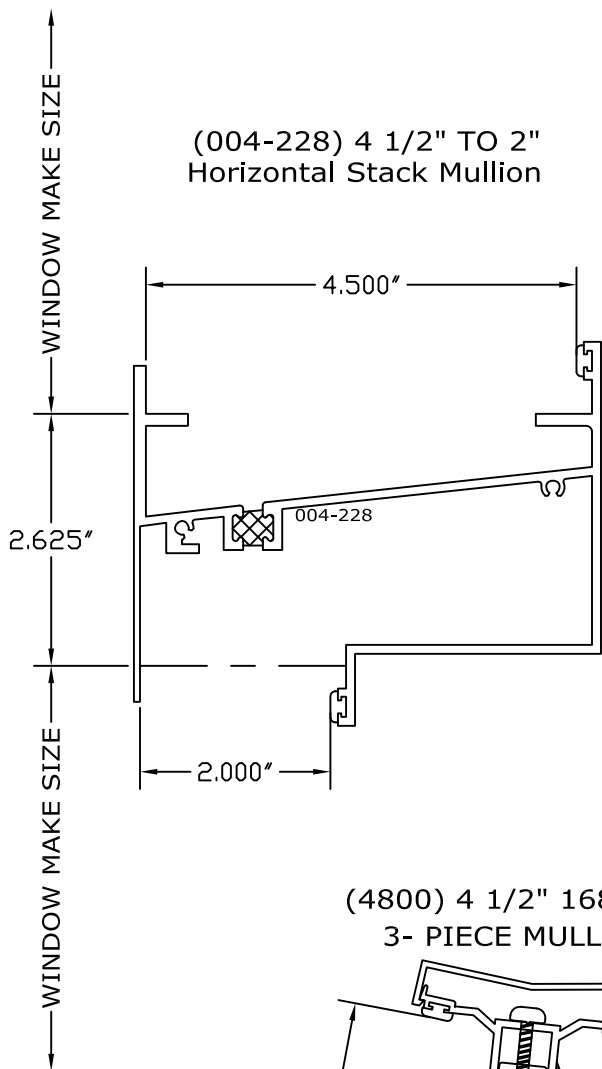


(004-212) Zero Mullion

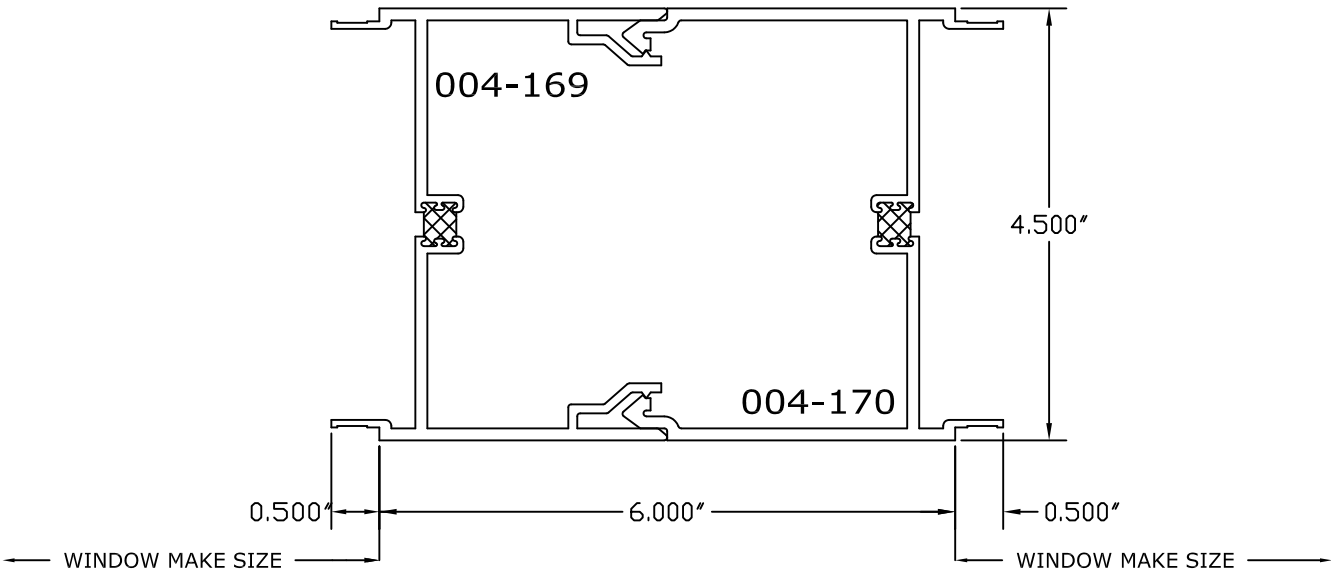


(004-211) Horizontal Stack Mullion

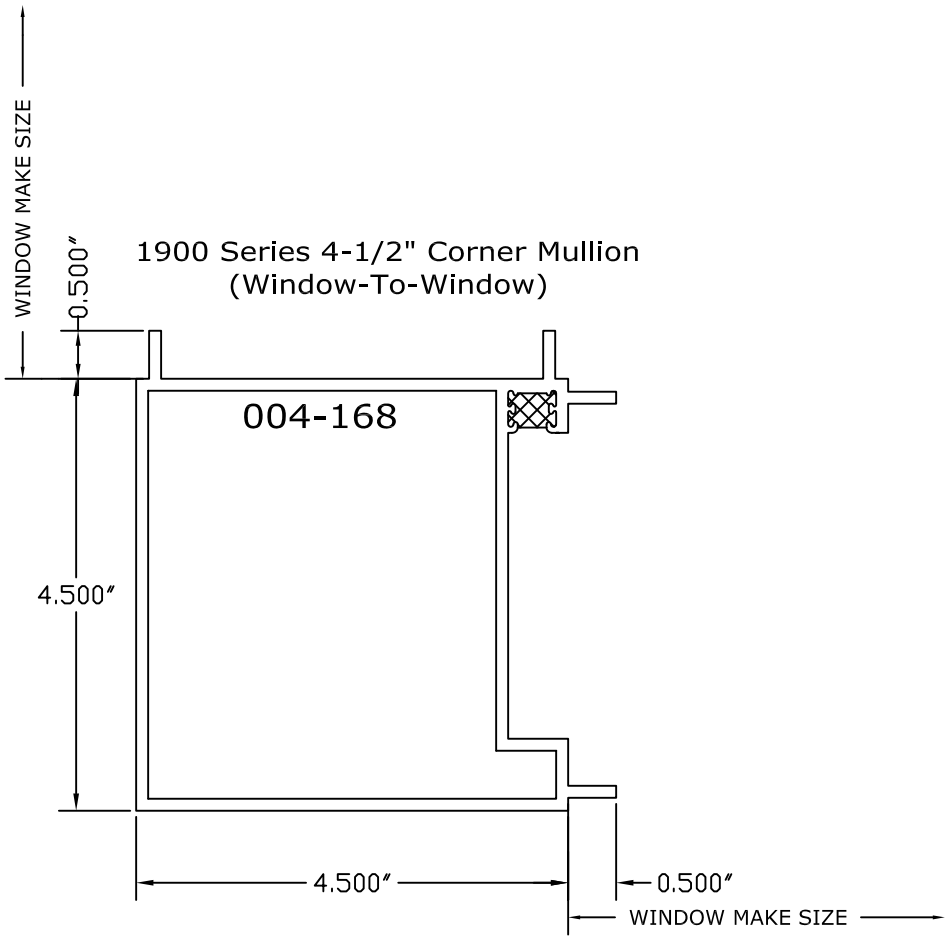


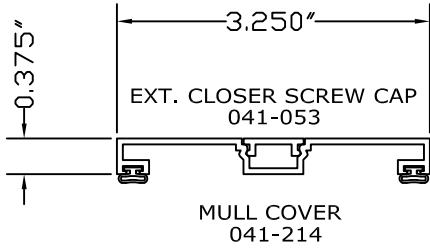


4-1/2" 2-Pc Mull 6" Long

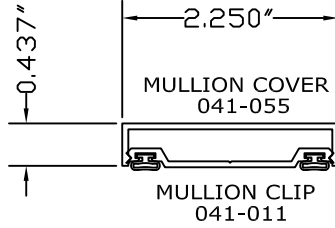


1900 Series 4-1/2" Corner Mullion
 (Window-To-Window)

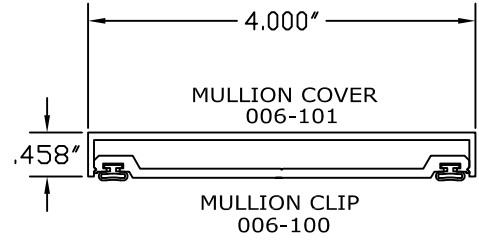




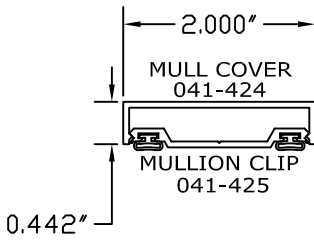
4114 MULL COVER SET



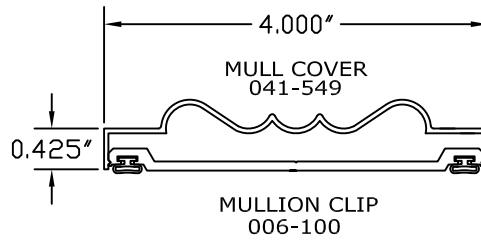
4132 MULL COVER SET



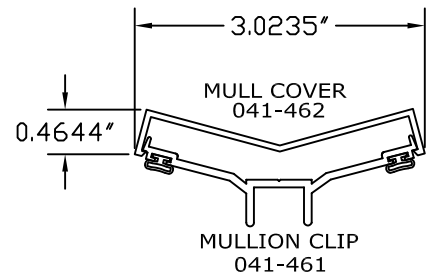
6010 MULL COVER SET



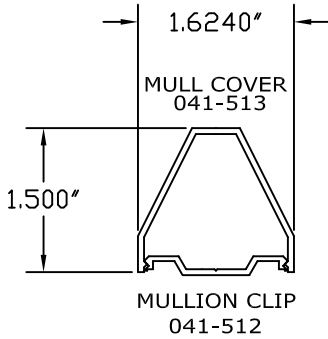
4245 MULL COVER SET



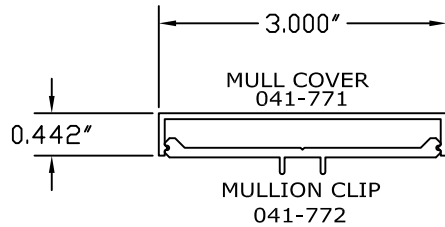
41549 MULL COVER SET



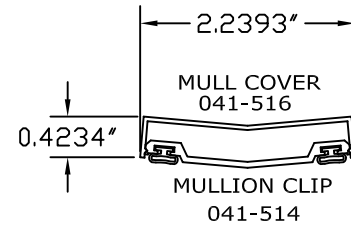
041-462 MULL COVER SET



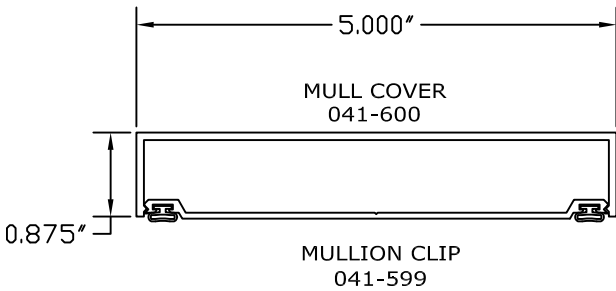
041-513 MULL COVER SET



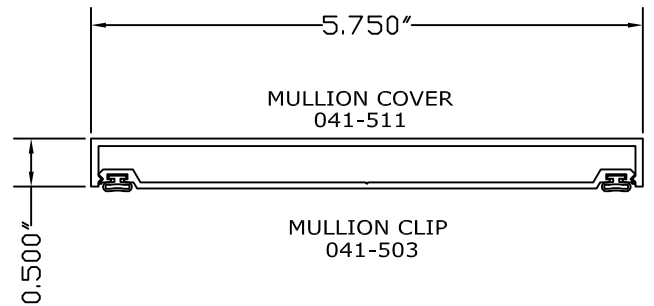
041-771 MULL COVER SET



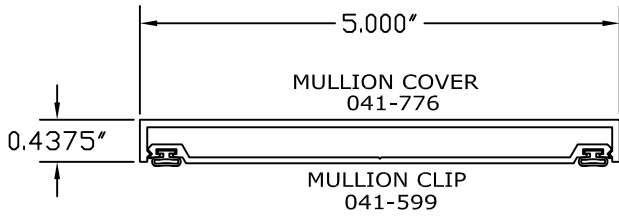
041-516 MULL COVER SET



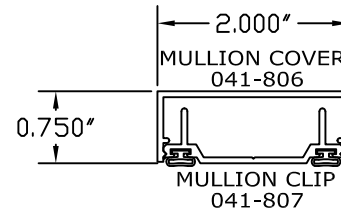
041-600 MULL COVER SET



041-511 MULL COVER SET



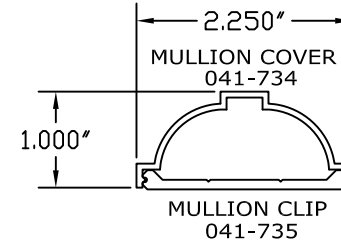
5996 MULL COVER SET



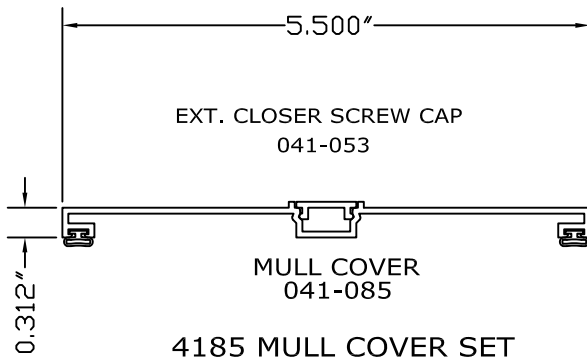
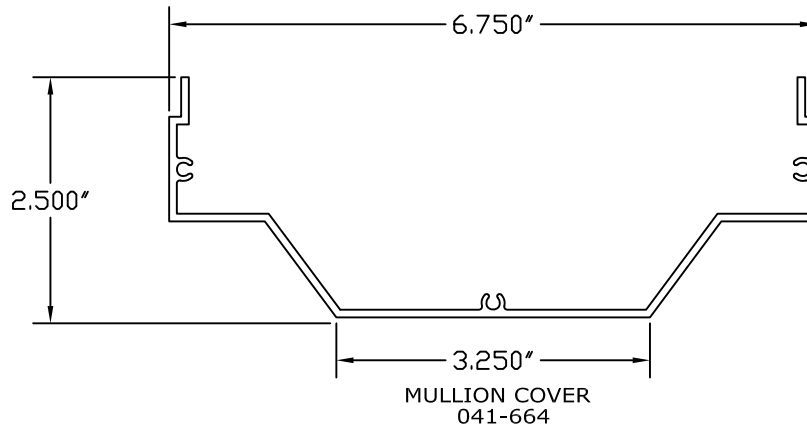
4867 MULL COVER SET



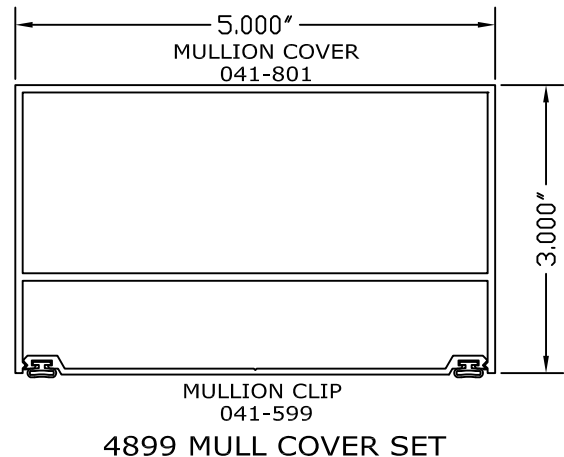
5045 MULL COVER SET



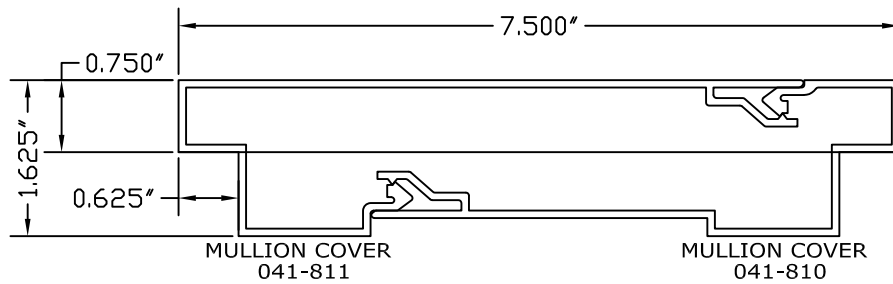
7345 MULL COVER SET



4185 MULL COVER SET

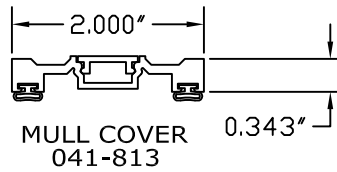


4899 MULL COVER SET

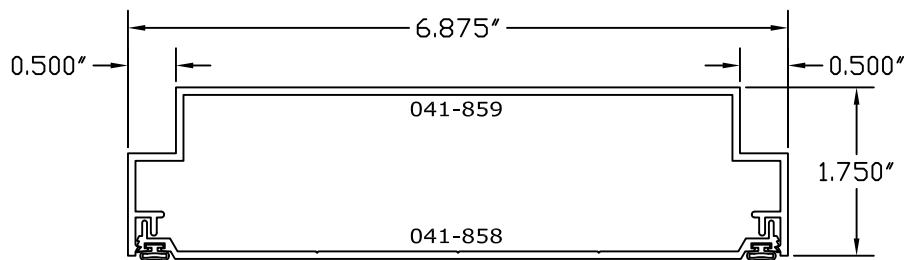


8101 2-PC MULL COVER SET

EXT. CLOSER SCREW CAP
 041-053



4853 MULL COVER SET



4898 MULL COVER SET