

Commercial Fixed Series Product Selection Guide

<http://www.peerlessproducts.com/>

Model Number	Description	Frame Depth	Typical Wall Thickness	AAMA Rating	Structural (PSF)	AIR (CFM/SF) 0.3 @ 6.24 0.1 @ 1.57	Water (PSF)	U-Value	STC	Dual Glazed w/ Blinds	Grid Options	Blast	Impact	Sash Weight	Test Size
4160	Fixed	3 1/4"	.062	F-AW70	105	< 0.1	15.0	0.337	38-40	No	A-I-T	Yes	Yes-48X72	240	60" x 99"
4160	Fixed	3 1/4"	.062	F-AW80	120	< 0.1	15.0	0.352	38-40	No	A-I-T	Yes	Yes-48X72	240	48" x 96"
4170	Fixed	4"	.062	F-AW80	120	< 0.1	15.0	0.366	38-40	No	A-I-T	Yes	Yes-48X72	240	48" x 96"
9160	Fixed	3 1/4"	.062	F-AW70	105	< 0.1	15.0	0.325	31-32	No	A-I-T	Yes	No	240	60" x 99"
9170	Fixed	4"	.062	F-AW75	112.5	< 0.1	12.0	0.328	33-37	Yes	A-I-T	Yes	No	240	60" x 99"
9170	Fixed	4"	.062	F-AW110	165	< 0.1	12.0	0.351	33-37	Yes	A-I-T	Yes	No	240	48" x 72"

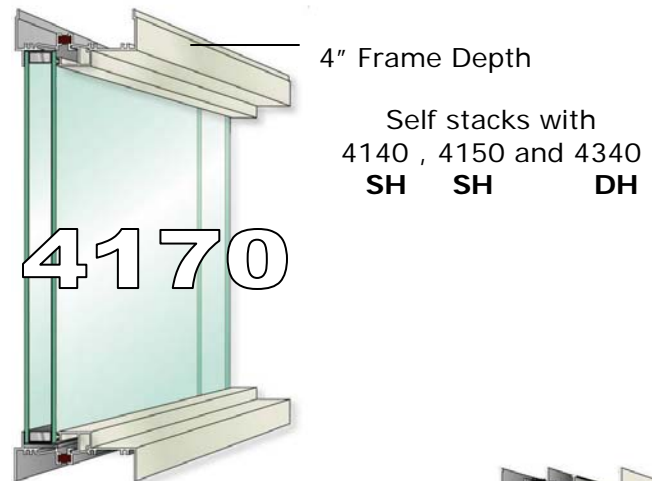
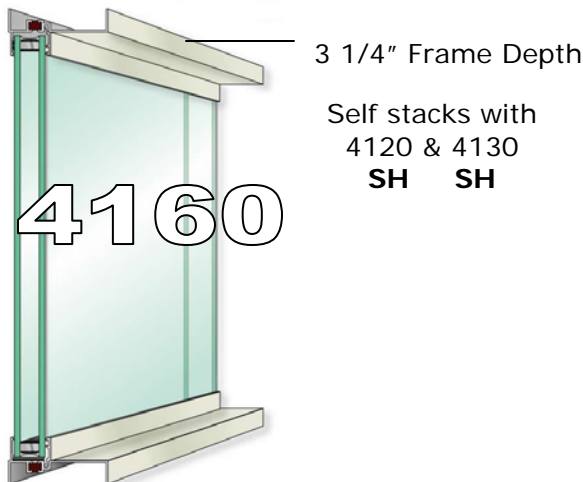
*All thermal values were performed with 1" insulated glass consisting of 1/4" TIAC40 (Low-E #2) annealed/ Argon with TGI Spacer/1/4" Clear annealed. All thermal tests performed using in house software recognized by NFRC.

Features:

- AAMA standard tested and certified
- Structural thermal breaks
- Coped corner construction
- 1" sealed insulating glass per ASTM E 2190-02
- Aluminum bead glazed
- Equal leg sill
- Manufactured on 1/8" increments
- Kynar 2605 finish in 25 standard colors.

Options:

- Between-the-glass, exterior-applied or true muntins
- Aluminum or solar screen mesh
- All commercially available glazing materials
- Single glazing available
- Standard and custom panning
- Receptor, mullion and subsill systems
- Extended sill leg
- Offset or setback glazing to simulate a hung window
- Round tops custom shapes
- Various high performance modifications
- Custom colors, 2603 Fluorocryl, 2604 Kynar and anodized finishes.



Glazing Table

<u>Single Glazed / IGU's / Panels</u>	4160	4170	9160	9170
1/8" - 1/4"	X	X	X	X
5/8"				X
5/8" w/ Ext Grid	X	X	X	X
5/8" w/ Int/Ext Grid	X	X		X
1"	X	X	X	X
1" w/ Ext Grid	X	X		X
1" w/ Int/Ext Grid		X		
1 3/8"	X	X		X
2"	X	X		
<u>Dual Glazed</u>				
1/8" - 1/4" Int/Ext				X
<u>Offset Glazing</u>				
5/8 " w/ Ext Grid	X	X		
5/8 " w/ Int/Ext Grid		X		
1"	X	X		
1" w/ Ext Grid		X		
1" w/ Int/Ext Grid		X		
1 3/8"		X		

