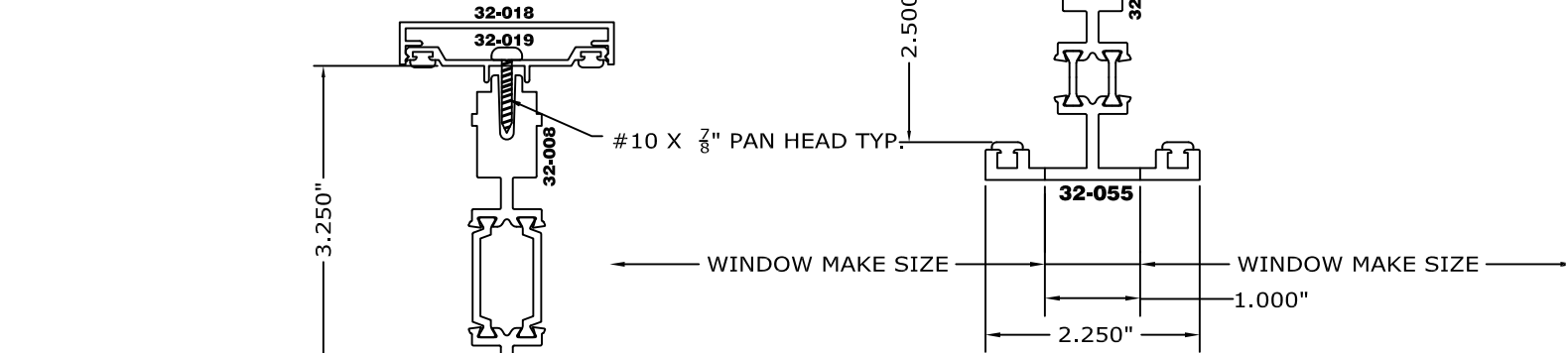
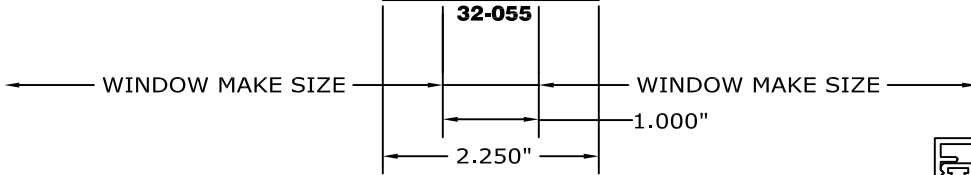


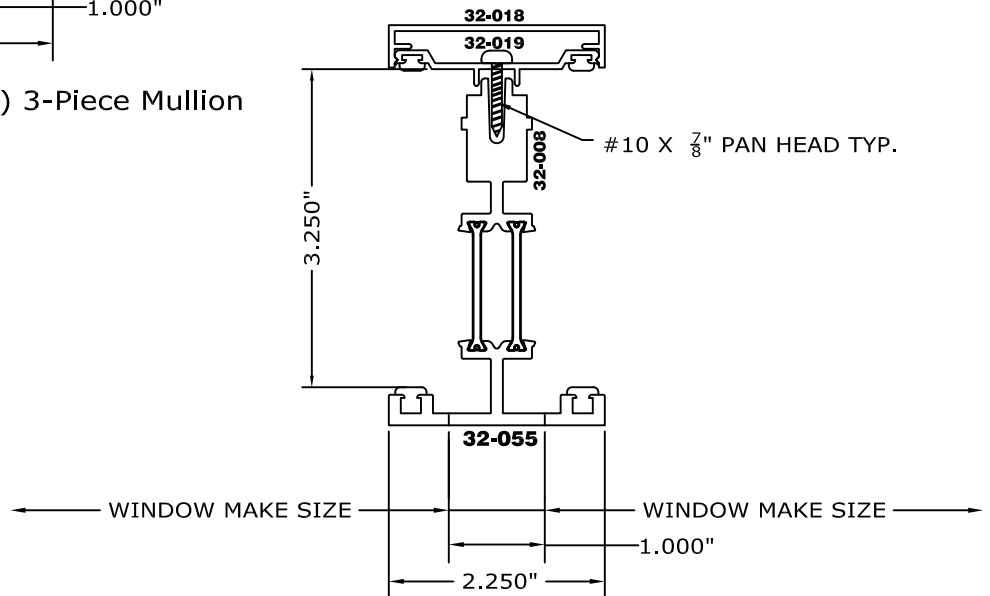
(G0MA)- 2"(G000) 3-Piece Mullion



(G1MA)- 2 1/2"(G100) 3-Piece Mullion



(G2MA)-3 1/4" (G200) 3-Piece Mullion



(G3/4 MA)-3 1/4"(G300/G400) 3-Piece Mullion