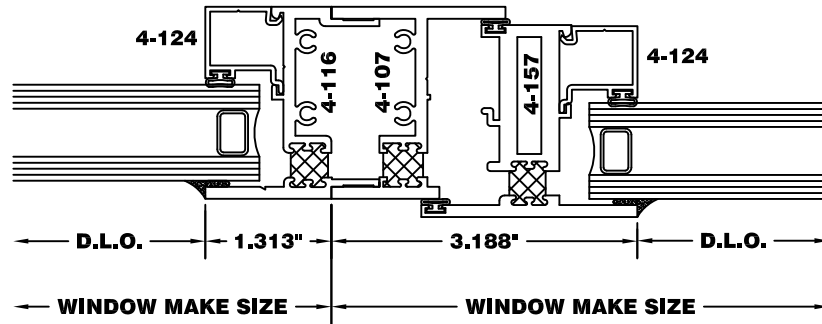
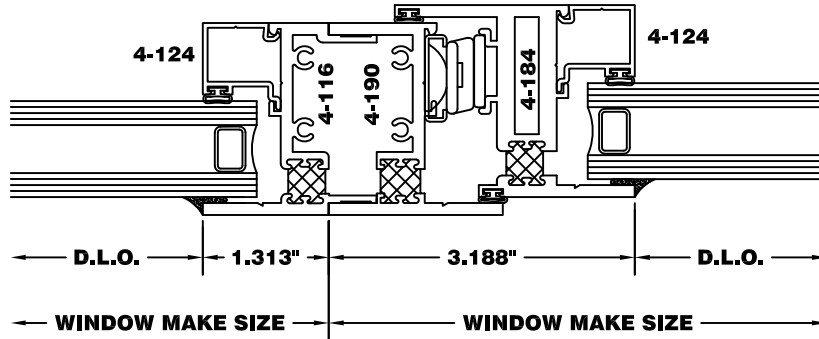


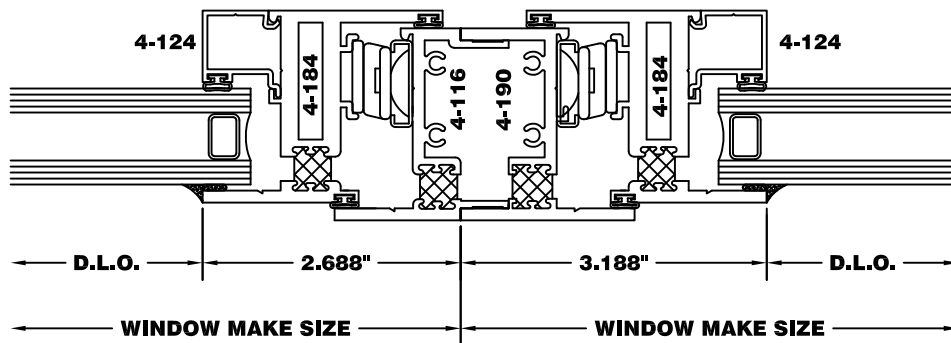
FIXED-CASEMENT



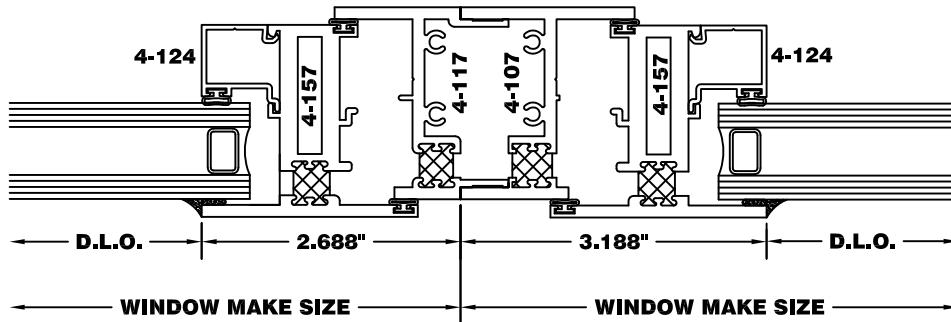
FIXED-PI



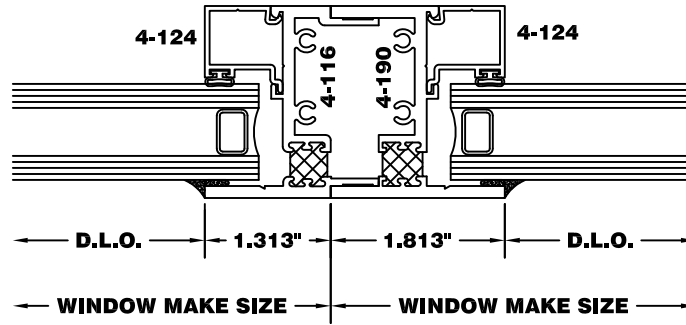
PI-PI



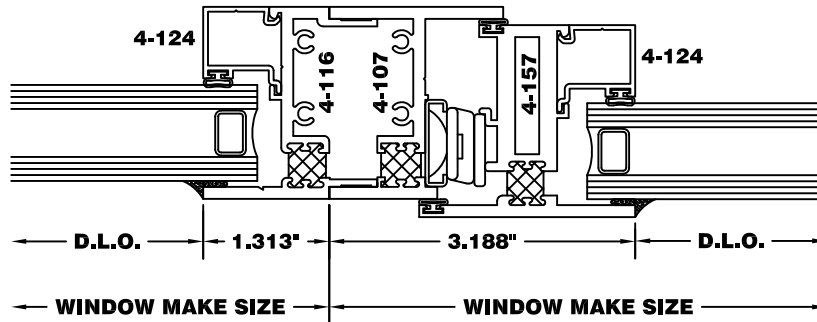
CASEMENT-CASEMENT



FIXED-FIXED



FIXED-PO



PO-PO

