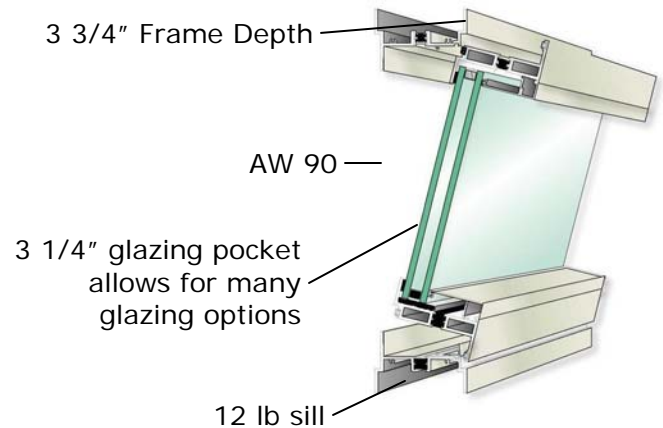


Features:

- Continuous Frame Design
- Frames Mechanically Fastened
- Std Equal Length frame legs
- AAMA tested and certified
- Unique 4-raceway thermal break cavity design with 1/4" de-bridging
- Thermal break de-bridging is not exposed
- Adjustable stainless steel 4-bar Anderberg hinges
- Cast white bronze cam-type locking handles
- Push-pull operation
- 1" sealed insulating glass per ASTM E 2190-02
- Aluminum glazing beads with Santoprene bulb seals
- Manufactured on 1/8" increments
- Santoprene bulb weather-stripping
- Kynar 2605 finish in 25 standard colors.

1211



Options:

- Dual Glazing Insulated & Monolithic for glazing and polycarbonate (or acrylic)
- Hinged Interior Access Panels
- Between-the-Glass Blinds (1", 5/8")
- Unequal or extended leg frames available
- All commercially available glazing materials
- 3 3/4" Glazing pocket to accommodate various glaze combinations.
- Between-the-glass, exterior-applied and true muntins
- Custodial Locks (key-operated)
- Life Safety opening limiter
- Egress hinges, keyed limited, in hinge flatbar limit stop.
- 3 piece structural mullions
- Subsills, Sill starter, Alcoa Sills
- Receptor, panning and interior trim systems
- Fiberglass (standard), aluminum, stainless steel or solar screen mesh
- Custom colors, 2603 Flurocryn, 2604 Kynar and anodized finishes.