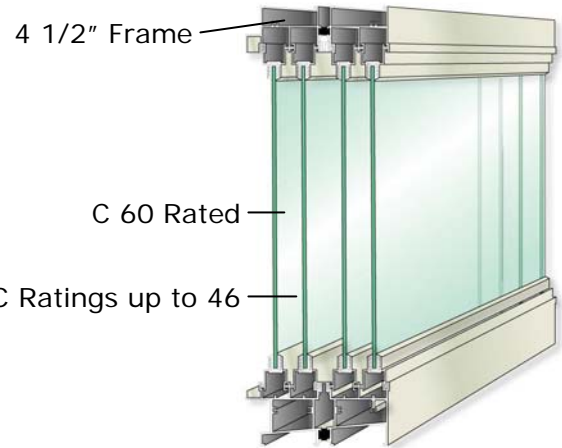


Features:

- AAMA standard tested and certified
- Structural thermal break
- Main frame 0.062" thick
- Sill frame 0.078" thick
- Coped Corner construction
- Four separate lift-out sash on **6000 (2 on 3000)**
- Like sash interchangeability
- Positive interlocks
- 1/8" thick clear annealed glass
- Double fin-type weather stripping
- Full-Width/height lift (pull) handles
- Slider sash move on stainless steel ball bearing rollers
- Self-locking high-security sash locks
- Full screens with charcoal-colored fiberglass mesh
- Manufactured on 1/8" increments
- Equal sill legs
- Kynar 2605 finish in 25 standard colors.

6001



Options:

- 3/16" and 1/4" thick glazing materials
- All commercially available glazing materials including tinted, tempered, reflective, low E, wire and obscure
- 1/4" laminated glass
- Custom and standard receptor, panning and interior trim systems
- Snap-in design panning systems
- Limited sash travel
- Aluminum, stainless steel or solar screen mesh
- 6" Frame depth high performance acoustic systems
- 1/8" thick tubular 5/8" wide applied muntins
- Custom colors, 2603 Fluorocryl, 2604 Kynar and anodized finishes.

3001

