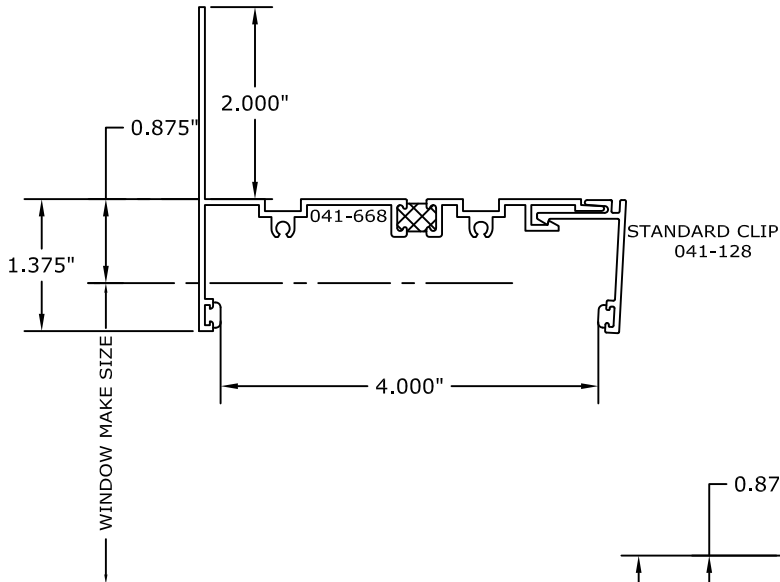
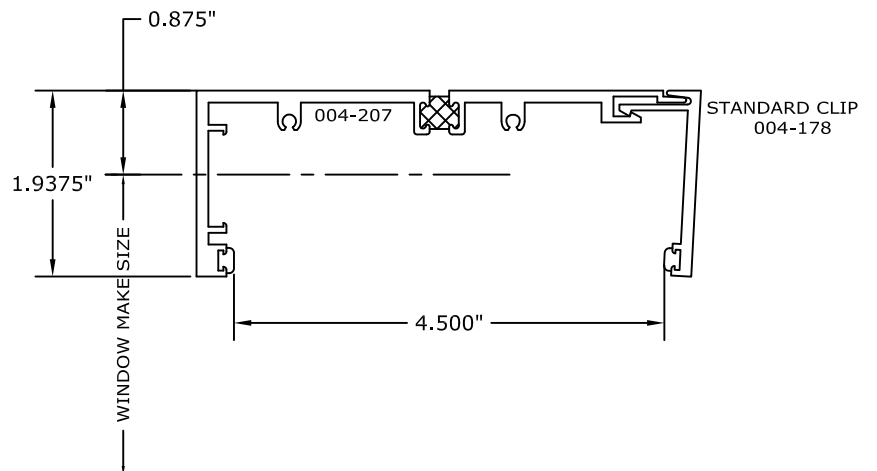


(4116) 4" TWO PIECE RECEPTOR SYSTEM



(4207) 4 1/2" TWO PIECE RECEPTOR SYSTEM



(4208) 4 1/2" TWO PIECE RECEPTOR SYSTEM

