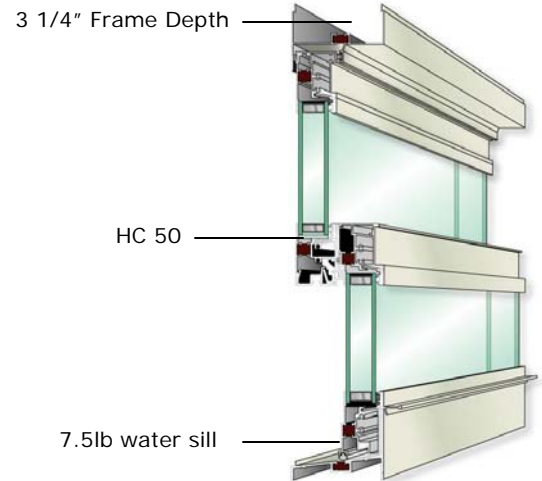


Features:

- AAMA standard tested and certified
- Structural thermal breaks
- Coped corner construction
- 1" sealed insulating glass per ASTM E 2190-02
- Aluminum bead glazed
- Operable hung sash tilt
- Stainless steel pivot bars
- Positive interlocks
- Double fin-type weather-stripping
- Full-width lift handle both Sash & Cast handle top sash
- Spiral sash balances
- Self-aligning high-security cam-type sash locks
- Vent Screens with charcoal colored fiberglass mesh
- Self-Stacked mullionless mating with other 4000 series windows
- Manufactured on 1/8" increments
- 1/2" extended sill leg hung only (equal leg on sliders and fixed)
- Kynar 2605 finish in 25 standard colors



4320

Options:

- Between-the-glass, exterior-applied or true muntins
- Aluminum or solar screen mesh
- Tilt sash make window cleaning easy
- All commercially available glazing materials
- Limited sash travel
- Pole ring, cast bronze, automatic or keyed sash locks
- Single glazing available
- Standard and custom panning
- Receptor, mullion and subsill systems
- Factory-provided equal length sill legs when needed for stacking or use with sub-sill or existing horizontal sill of opening
- Class 5 reduced lift force balances (Ultra-Lift)
- Various high performance modifications
- Custom Colors, 2603 Fluorocryl, 2604 Kynar and anodized finishes

4340

