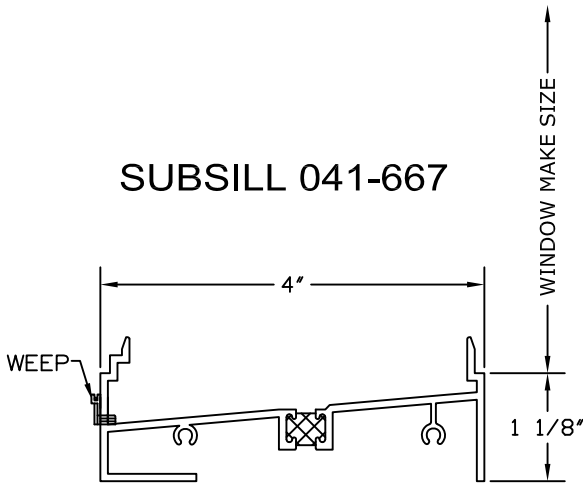
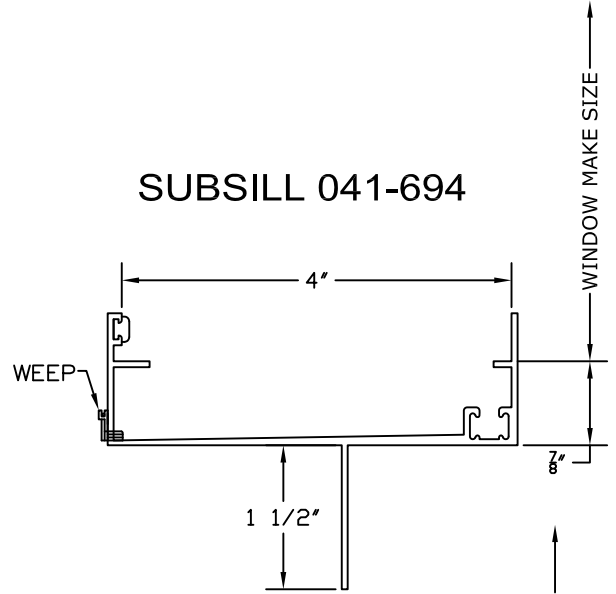


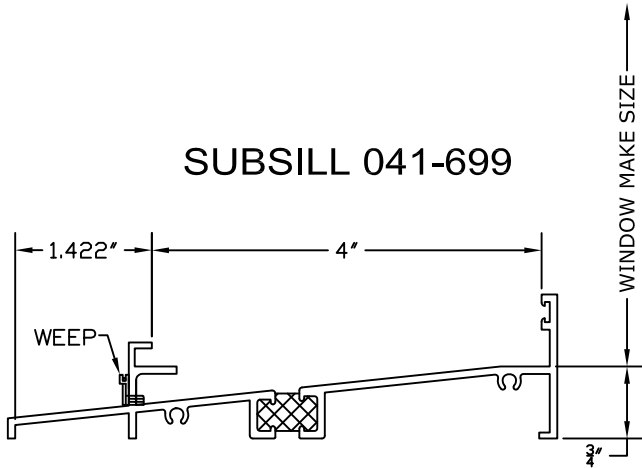
SUBSILL 041-667



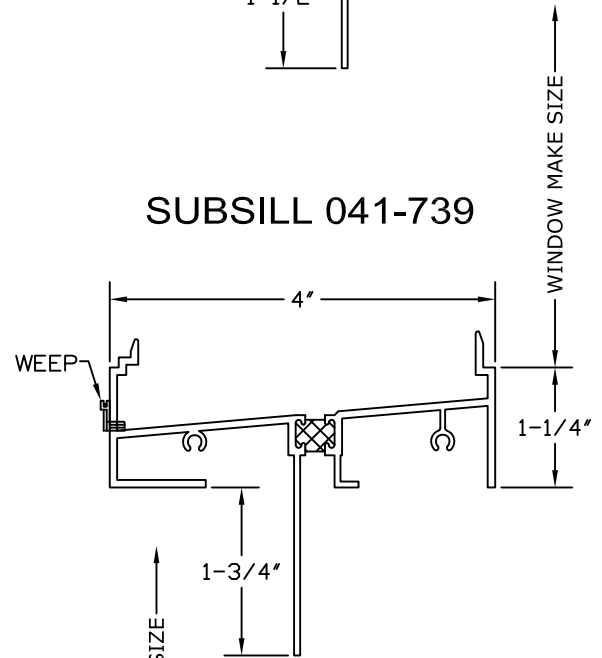
SUBSILL 041-694



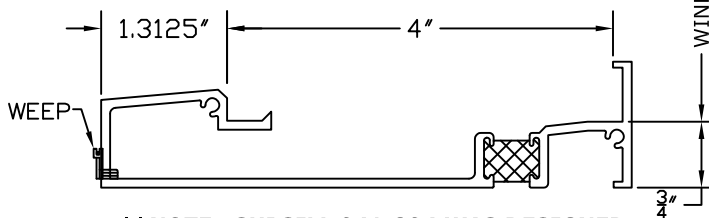
SUBSILL 041-699



SUBSILL 041-739



SUBSILL 041-804



**\*\*NOTE: SUBSILL 041-804 WAS DESIGNED TO BE USED WITH RECEPTOR SET [4803] SO RECEPTOR WOULD HAVE PROPER LANDING BETWEEN JAMB RECEPTOR TO SUBSILL CONNECTION OR CONTACT ENGINEERING FOR OTHER AVAILABILITES \*\***