
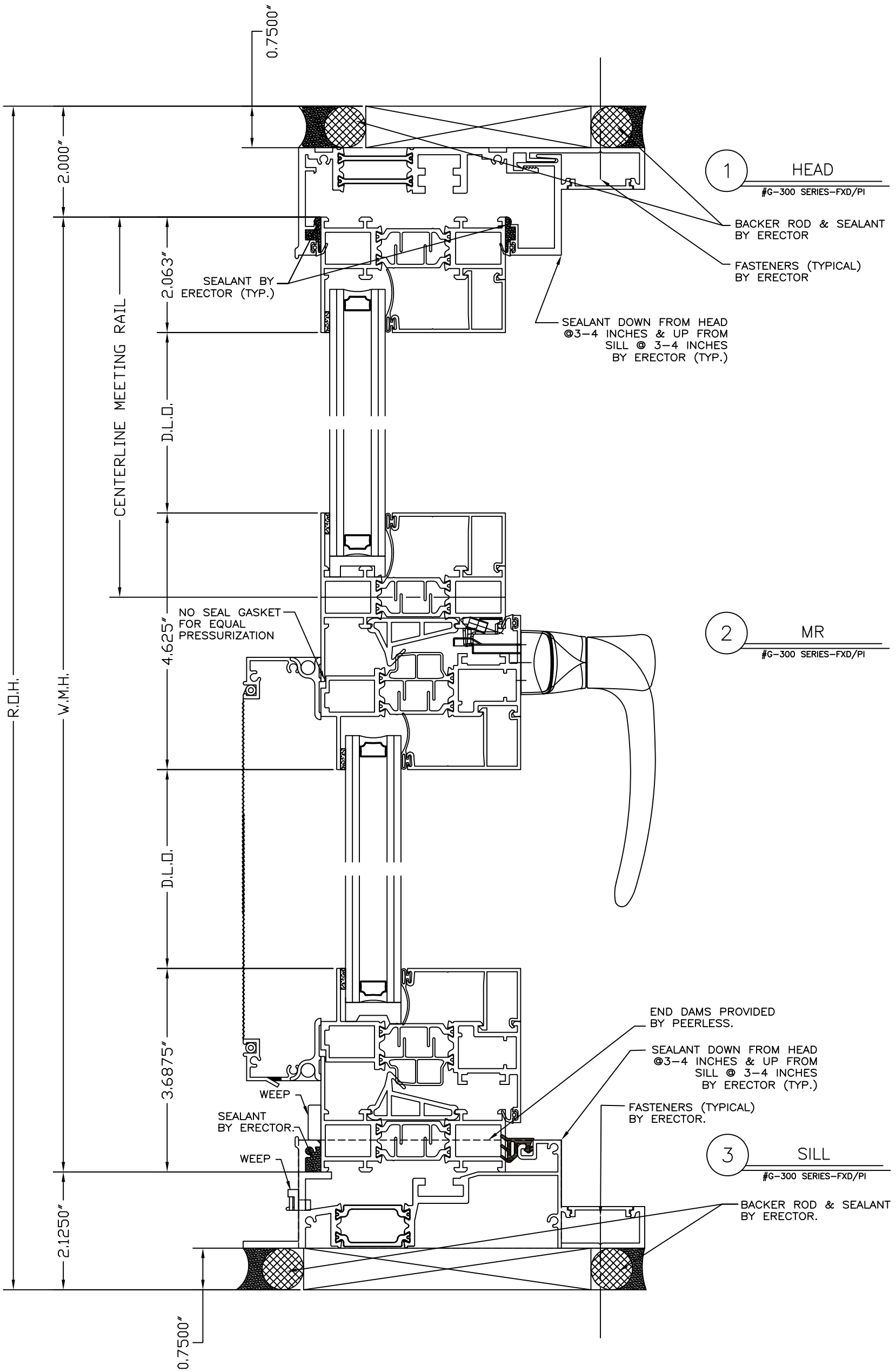
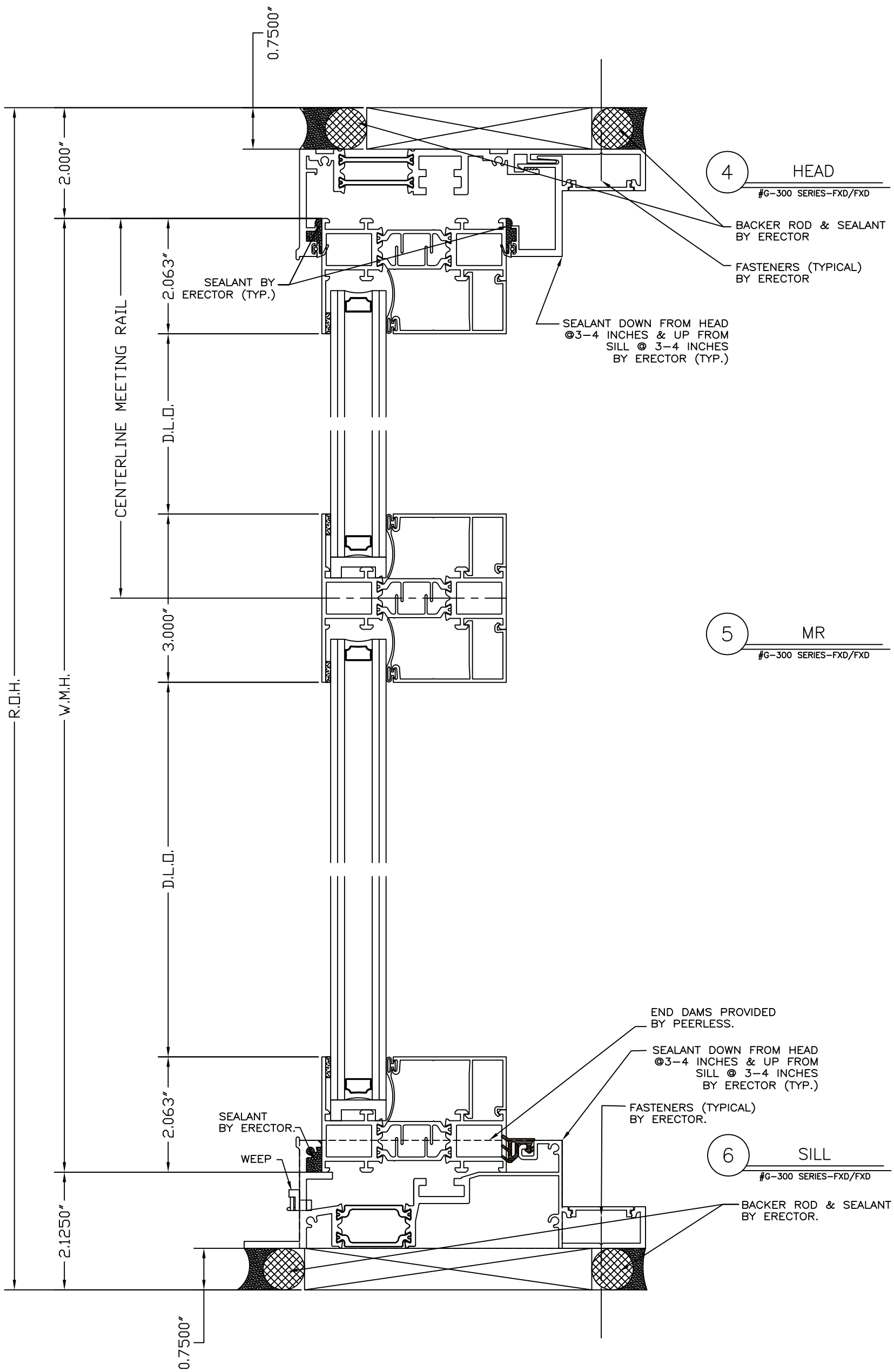


MARK S (PARTIAL OPENING CUT)  
1 OPENING

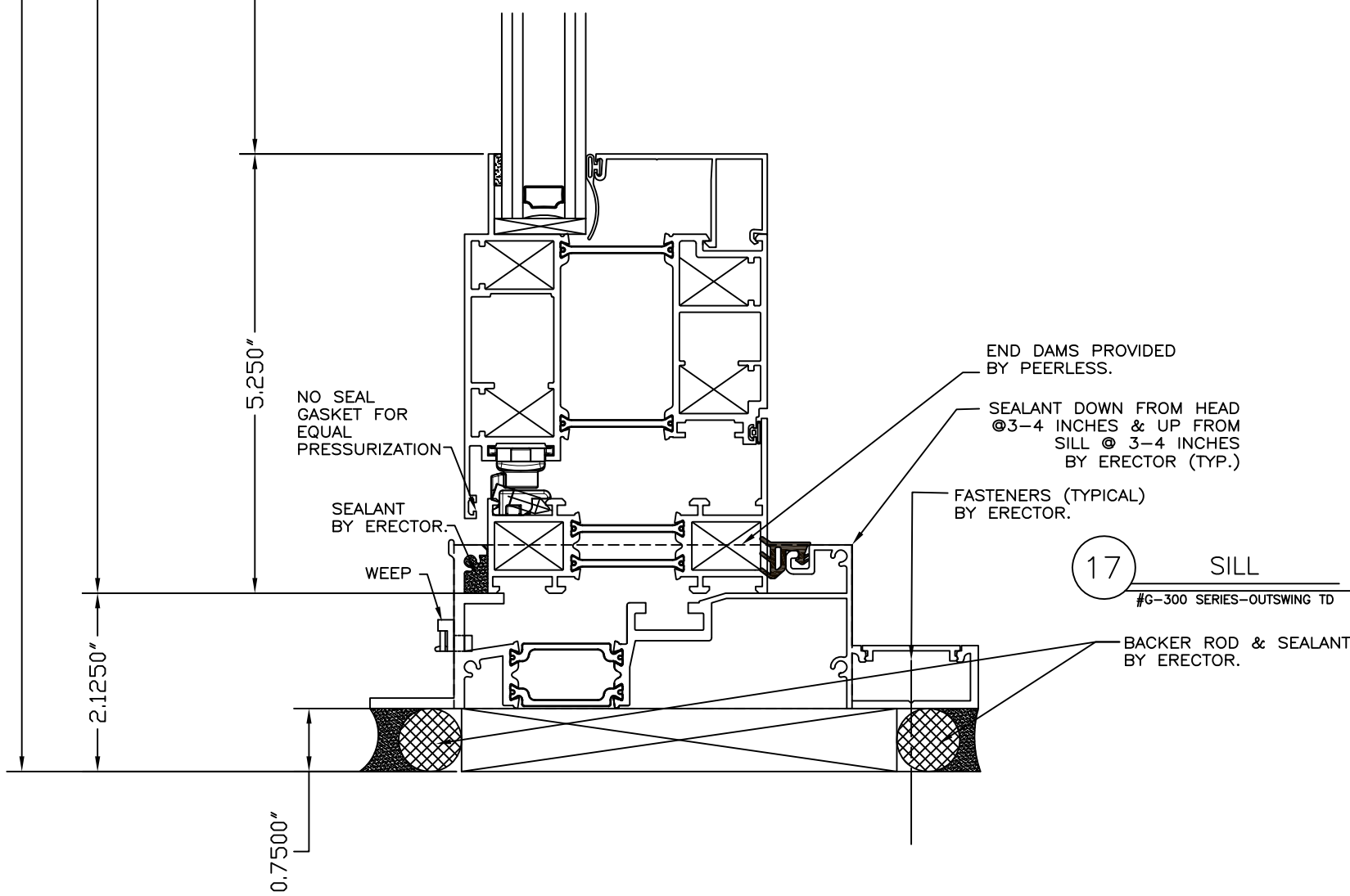
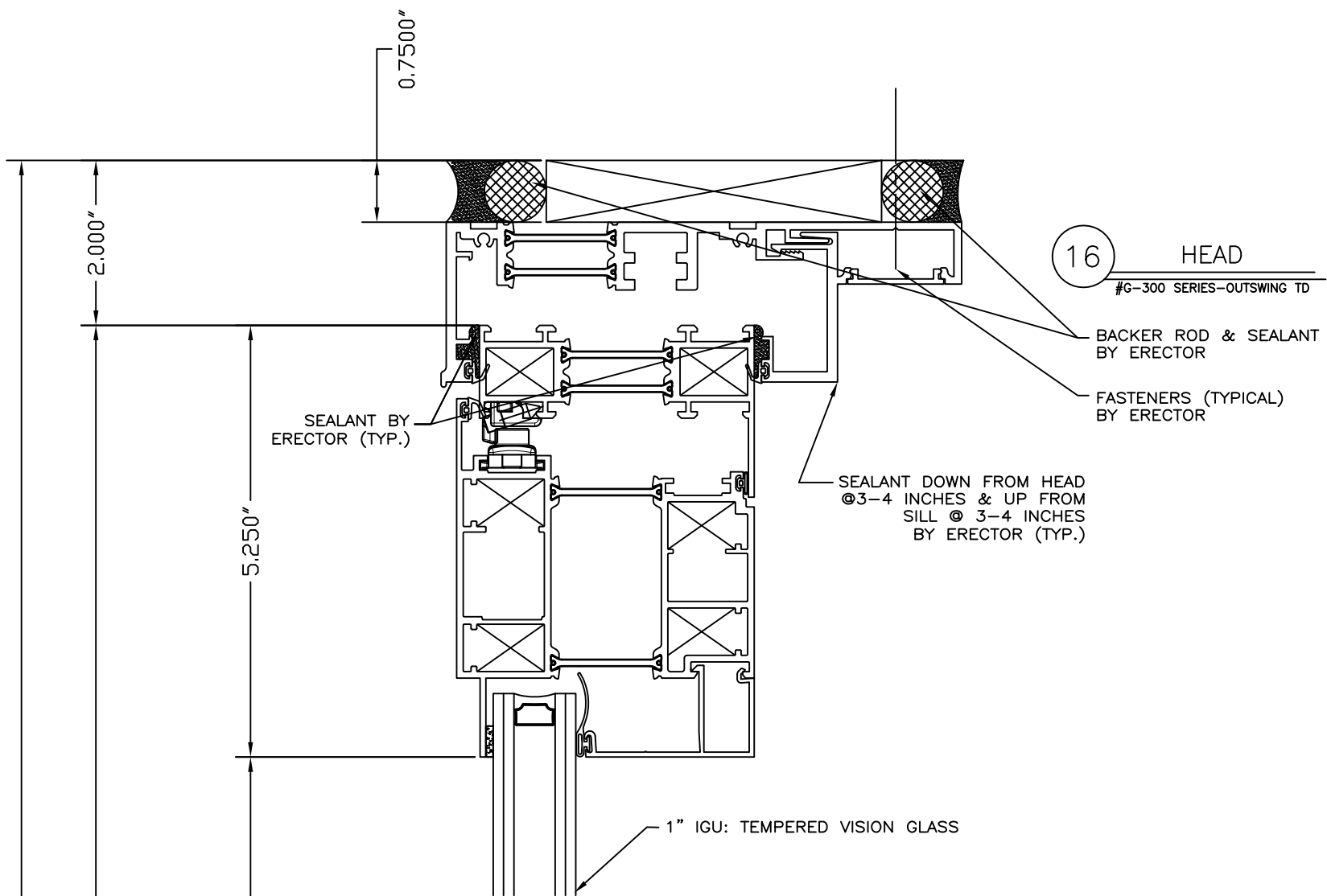
 <b>Peerless PRODUCTS INC</b> 2403 South Main Ft. Scott, KS 66701 Phone No. (866) 420-4000 Fax No. (820) 224-3107	JOB NAME: CHICAGO STYLE TYP WINDOW WALL DETAILS	REVISION DATE	DESCRIPTION	DATE
	ADDRESS: ARCHITECT: GENERAL CONTRACTOR:	DRAWN FOR: DATE: 03-22-11 SCALE: FULL DWG. TITLE: PARTIAL (TYP.) ELEVATION	REVISION DESCRIPTION	DESCRIPTION
DRN BY: MEM CHKD BY:	DWG. NO.	REVISION DESCRIPTION	DESCRIPTION	DATE



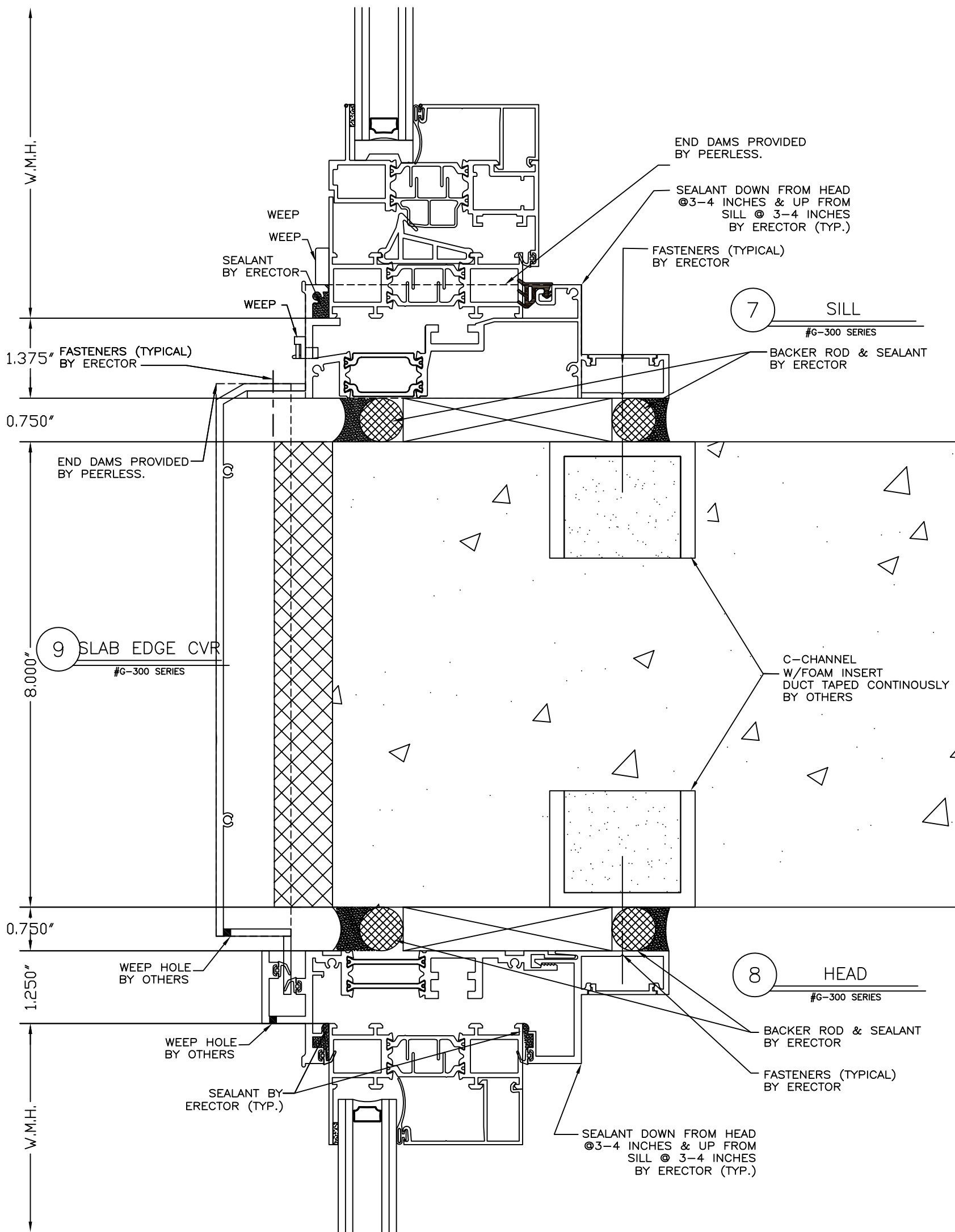
10	SHEET	JOB NAME: CHICAGO STYLE TYP WINDOW WALL DETAILS		2403 South Main Fl. Scott, KS 66701 Phone No. (866) 420-4000 Fax No. (620) 224-3107		REVISION	DESCRIPTION	DATE
		ADDRESS:		DRAWN FOR:				
2	OF	ARCHITECT:	DATE: 03-22-11	SCALE: FULL	DRN BY: MEM	CHKD BY:		
		GENERAL CONTRACTOR:	DWG. TITLE: HEAD, MR, & SILL DETAILS	DWG. NO.:				



02	SHEET	JOB NAME: CHICAGO STYLE TYP WINDOW WALL DETAILS		2403 South Main Fl. Scott, KS 66701 Phone No. (866) 420-4000 Fax No. (620) 224-3107		REVISION	DESCRIPTION	DATE
		ADDRESS:		DRAWN FOR:				
3	OF	ARCHITECT:	DATE: 03-22-11	SCALE: FULL	DRN BY: MEM	CHKD BY:		
		GENERAL CONTRACTOR:	DWG. TITLE: HEAD, MR, & SILL DETAILS	DWG. NO.:				



50	SHEET	JOB NAME: CHICAGO STYLE TYP WINDOW WALL DETAILS		2403 South Main Ft. Scott, KS 66701 Phone No. (866) 420-4000 Fax No. (620) 224-3107		REVISION	DESCRIPTION	DATE
		ADDRESS:				DRAWN FOR:		
4	OF	ARCHITECT:	DATE: 03-22-11	SCALE: FULL	DRN BY: MEM	CHKD BY:		
		GENERAL CONTRACTOR:	DWG. TITLE: HEAD & SILL DETAILS	DWG. NO.:				

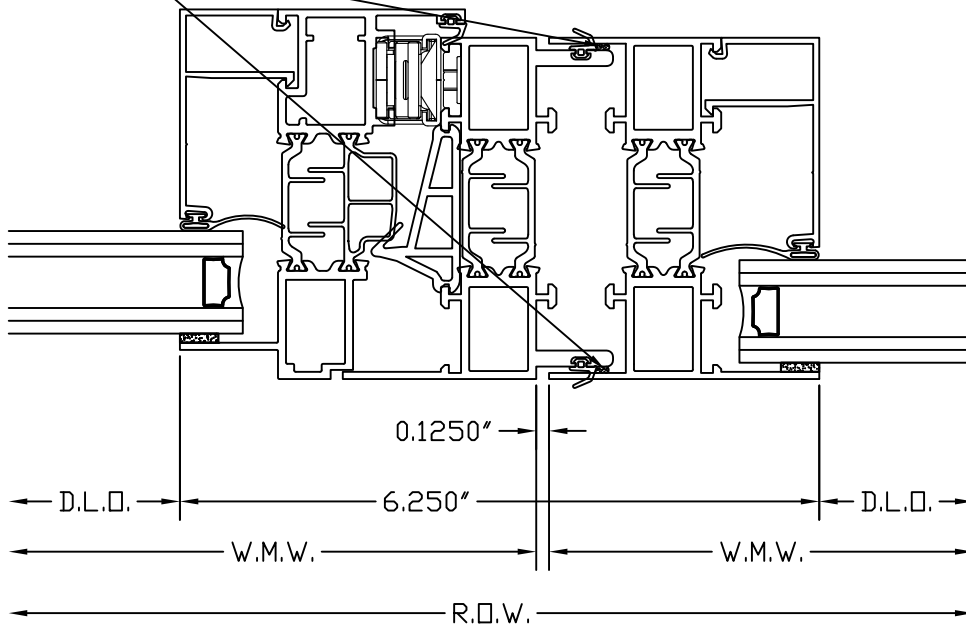


D4	SHEET	JOB NAME: CHICAGO STYLE TYP WINDOW WALL DETAILS		2403 South Main Ft. Scott, KS 66701 Phone No. (866) 420-4000 Fax No. (620) 224-3107		REVISION	DESCRIPTION	DATE
		ADDRESS:				DRAWN FOR:		
5	OF	ARCHITECT:	DATE: 03-22-11	SCALE: FULL	DRN BY: MEM	CHKD BY:		
		GENERAL CONTRACTOR:	DWG. TITLE: FLOOR SLAB COVER DETAILS	DWG. NO.:				

10 MALE/FEMJAMBS

#G-300 SERIES PI-FIXED

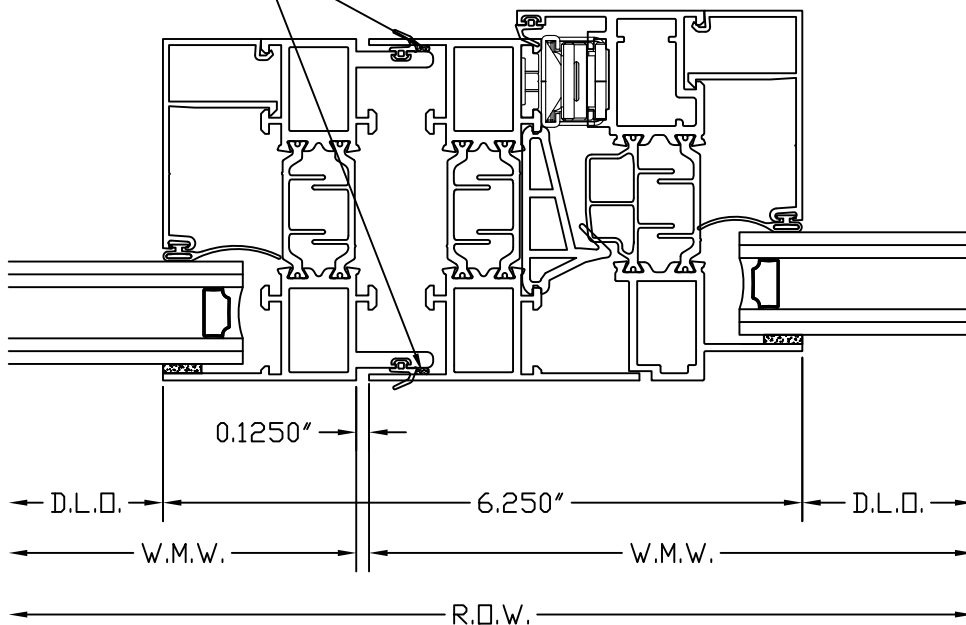
SEALANT (TYP.)  
BY ERECTOR.



11 MALE/FEMJAMBS

#G-300 SERIES FIXED-PI

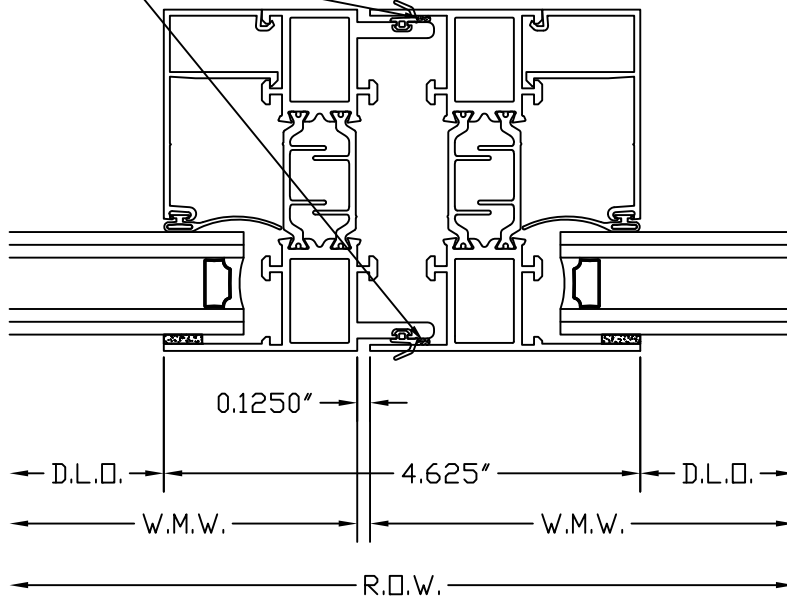
SEALANT (TYP.)  
BY ERECTOR.



12 MALE/FEMJAMBS

#G-300 SERIES FIXED-FIXED

SEALANT (TYP.)  
BY ERECTOR.

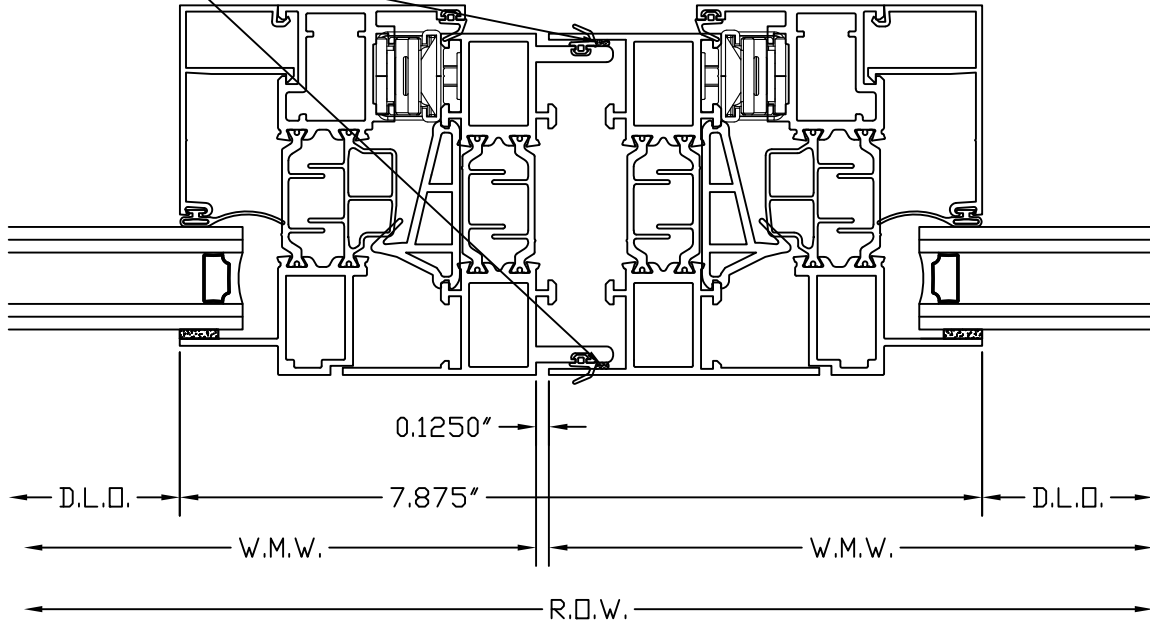


DS	SHEET	JOB NAME:		2403 South Main Ft. Scott, KS 66701 Phone No. (866) 420-4000 Fax No. (620) 224-3107	REVISION	DESCRIPTION	DATE
		ADDRESS:					
6	OF	ARCHITECT:	DRAWN FOR:				
		GENERAL CONTRACTOR:	DATE: 03-22-11	SCALE: FULL	DRN BY: MEM	CHKD BY:	
			DWG. TITLE: MULLION DETAILS	DWG. NO.:			

13 MALE/FEMJAMBS

#G-300 SERIES PI-PI

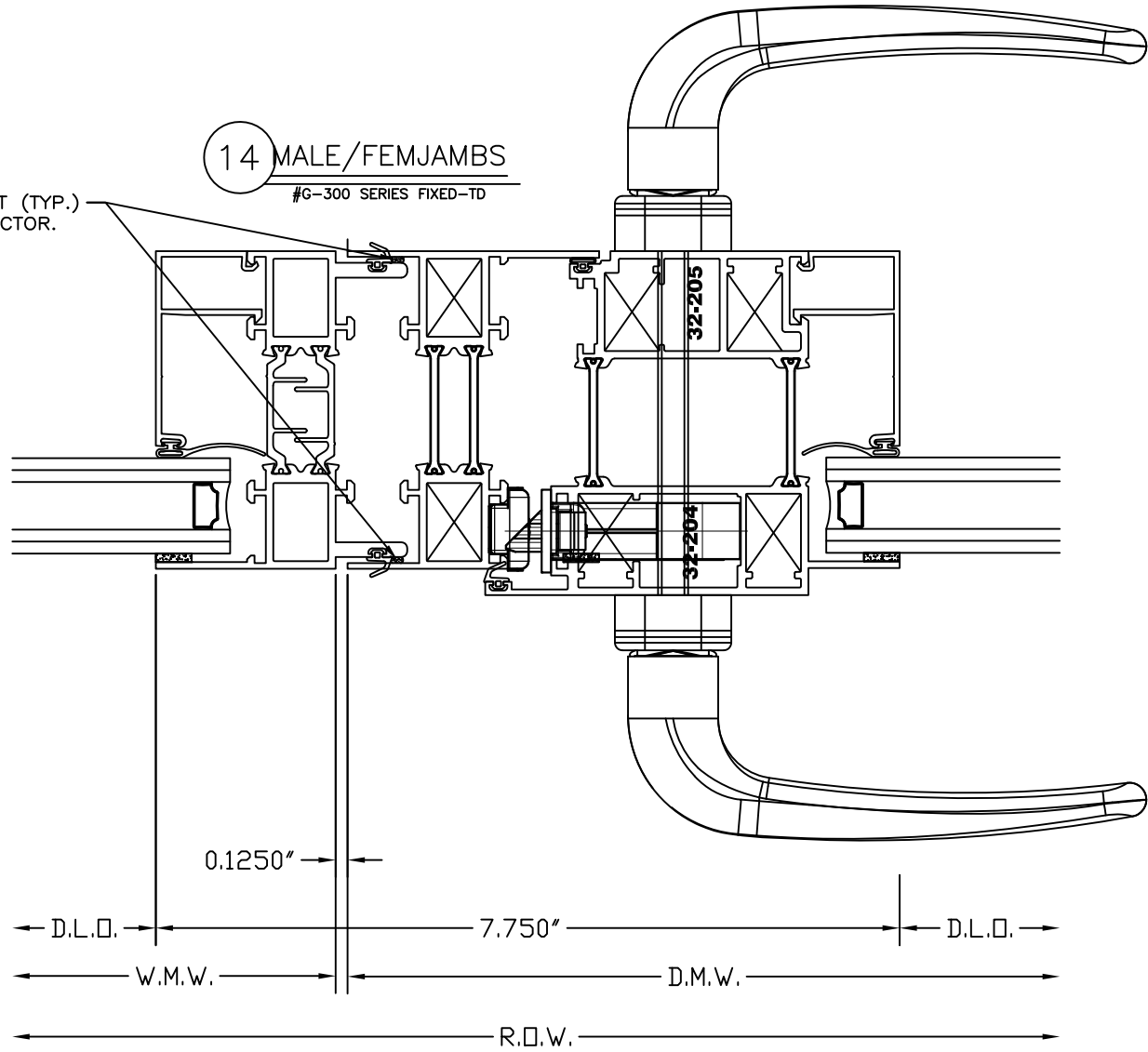
SEALANT (TYP.)  
BY ERECTOR.



14 MALE/FEMJAMBS

#G-300 SERIES FIXED-TD

SEALANT (TYP.)  
BY ERECTOR.

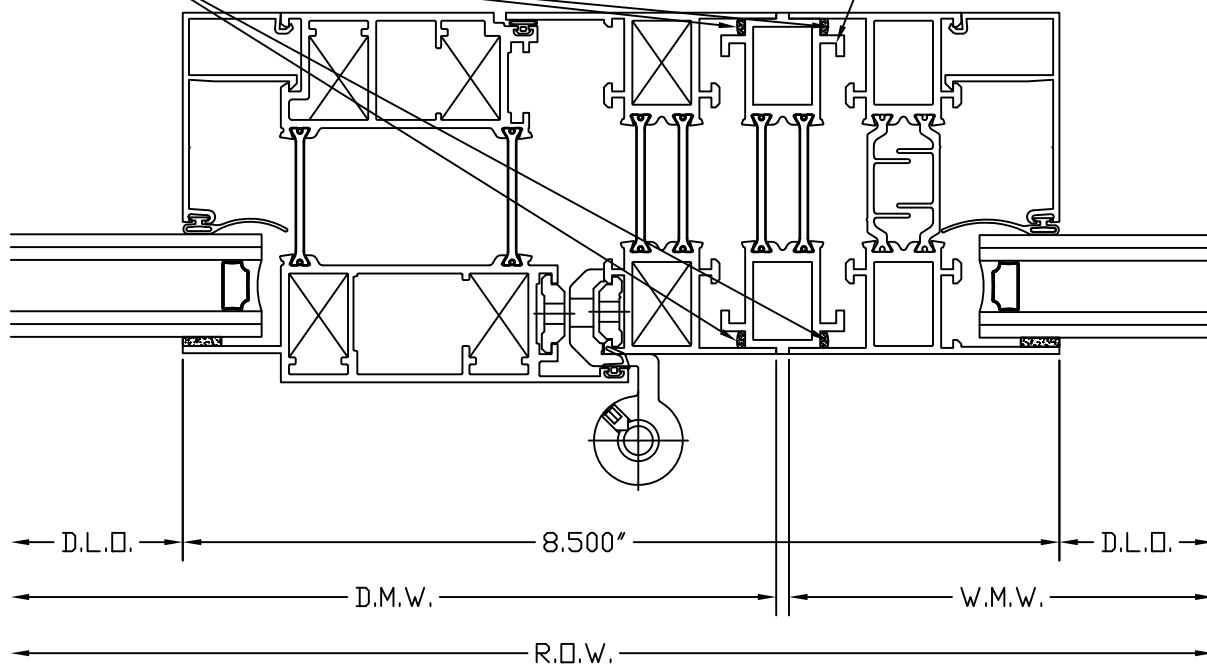


15 TRANSITION MULL

#G-300 SERIES TD-FIXED

SEALANT (TYP.)  
BY ERECTOR.

MULL CLIP PROVIDED  
TO BE INSTALLED AT HEAD  
AND SILL CONDITION  
BY ERECTOR



96 OF 7	SHEET JOB NAME: CHICAGO STYLE TYP WINDOW WALL DETAILS ADDRESS:		2403 South Main Ft. Scott, KS 66701 Phone No. (866) 420-4000 Fax No. (620) 224-3107		REVISION	DESCRIPTION	DATE
	ARCHITECT: GENERAL CONTRACTOR:		DRAWN FOR: DATE: 03-22-11 DWG. TITLE: MULLION DETAILS	SCALE: FULL DRN BY: MEM DWG. NO.	CHKD BY:		